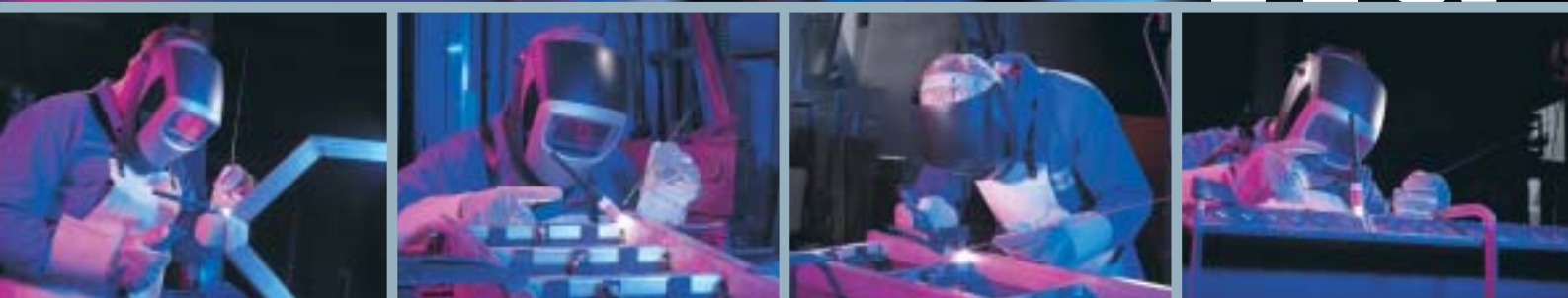




TIG



Spare Parts List 2004/2005

Welding & cutting brought to the point.





Copyright

All texts, photos, drawings and other information published in the spare parts list are subject to the copyright protection of Alexander Binzel Schweisstechnik GmbH & Co. KG, Germany – unless otherwise marked.

Any reproduction, even in part, is only allowed with the express written permission of Alexander Binzel Schweisstechnik GmbH & Co. KG, Germany.



Content

- **TIG Welding Torches "ABITIG®"**
9 – 26 air- and liquid-cooled Chapter 1
- **TIG Welding Torches "ABITIG®"**
150 – 450 air- and liquid-cooled Chapter 2
- **Component kits** Chapter 3
- **Handle and control modules "BIS"** Chapter 4
- **Cable assembly components "BHS"** Chapter 5
- **Connecting modules "BCS"**
Single- and central connectors Chapter 6
- **Control line plugs "BLS"** Chapter 7
- **Hose connections "BHC"**
Power, gas and water Chapter 8
- **TIG Welding Torches "ABITIG®"**
with rotary valve air-cooled Chapter 9
- **TIG Automatic Welding Torches**
air- and liquid-cooled Chapter 10
- **Tungsten electrodes** Chapter 11
- **Welding accessories** Chapter 12
- **Coolant recirculators** Chapter 13
- **Spare Parts (numerical)** Chapter 14
- **Order form**
- **Standard Terms and Conditions of Deliveries and Services**



TIG Welding torches

ABITIG® air- and liquid-cooled

“The modification of standards”

The ABITIG® line represents a further development of the worldwide recognized SR torch series. All torches feature the most commonly used and accepted components and are offered within a modular concept torch programme with enhanced features.

The wide range, with both air- and liquid-cooled variants, are all fitted with a uniform ergonomic handle which integrates all switching and control functions. The flexible cable assemblies are further available with modular and robust machine-side connections.

- One ergonomic handle for all ABITIG® torch types
- Modular switching and control functions integrated in the handle
- Light and flexible cable assemblies with modular machine-side connections for all salable TIG welding power sources
- Consumables compatible to the international standard

Technical data (EN 60 974-7)

TIG Welding Torch “ABITIG®” (air-cooled)

Type	Rating (A)		Duty cycle (%)	Tungsten electrode-Ø (mm)
	DC	AC		
ABITIG® 9 / 9F	110	80	35	0.5 - 1.6
ABITIG® 17 / 17F	140	100	35	0.5 - 2.4
ABITIG® 24 G	110	80	35	0.5 - 1.6
ABITIG® 26 / 26F	180	130	35	0.5 - 4.0

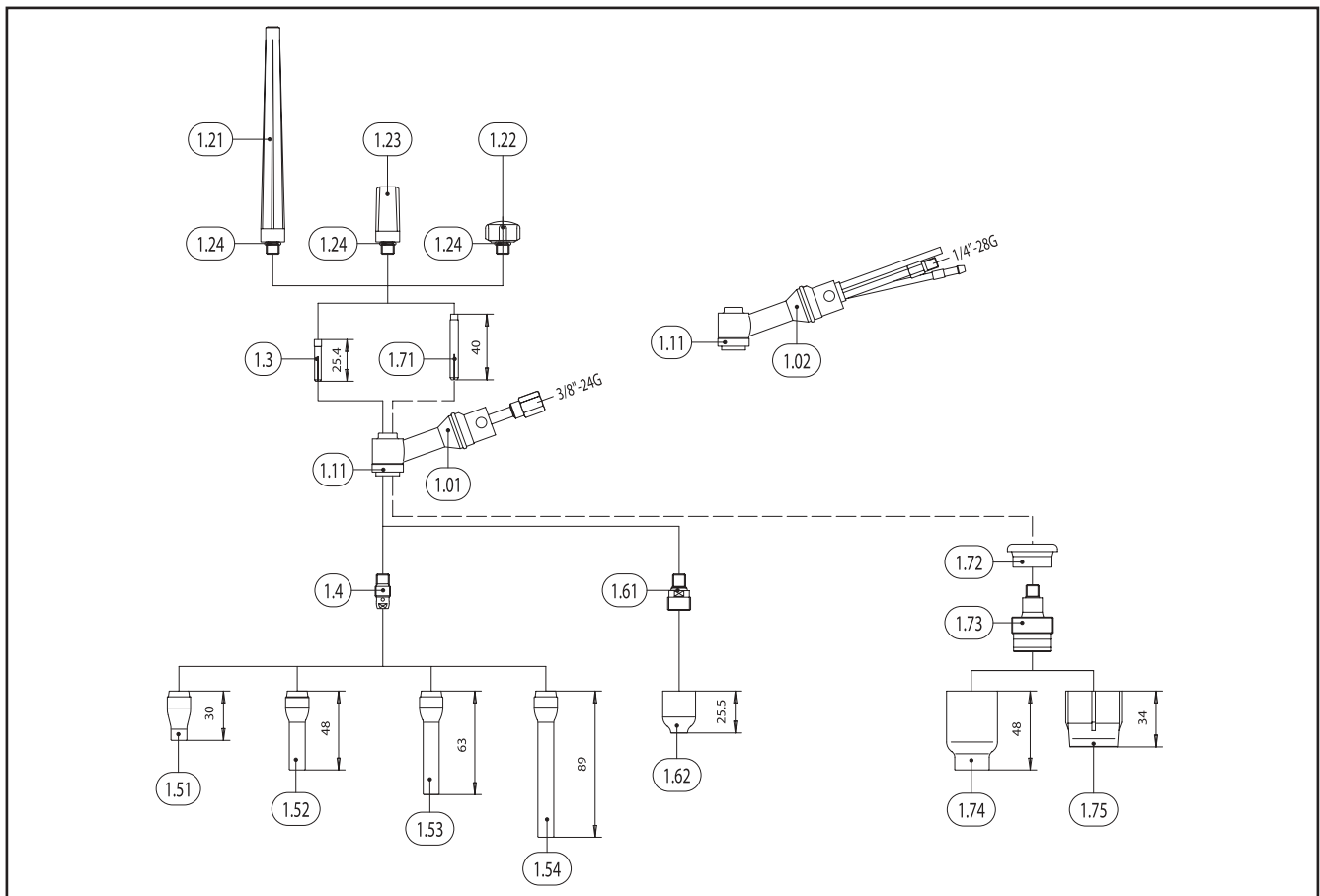
F=Flexible. Subject to change without notice.

TIG Welding Torch “ABITIG®” (liquid-cooled)

Type	Rating (A)		Duty cycle (%)	Tungsten electrode-Ø (mm)
	DC	AC		
ABITIG® 12-1	350	250	100	1.6 - 4.0
ABITIG® 18	320	230	100	0.5 - 4.0
ABITIG® 18SC	400	280	100	0.5 - 4.8
ABITIG® 20	220	160	100	0.5 - 3.2
ABITIG® 24 W	140	100	100	0.5 - 2.4

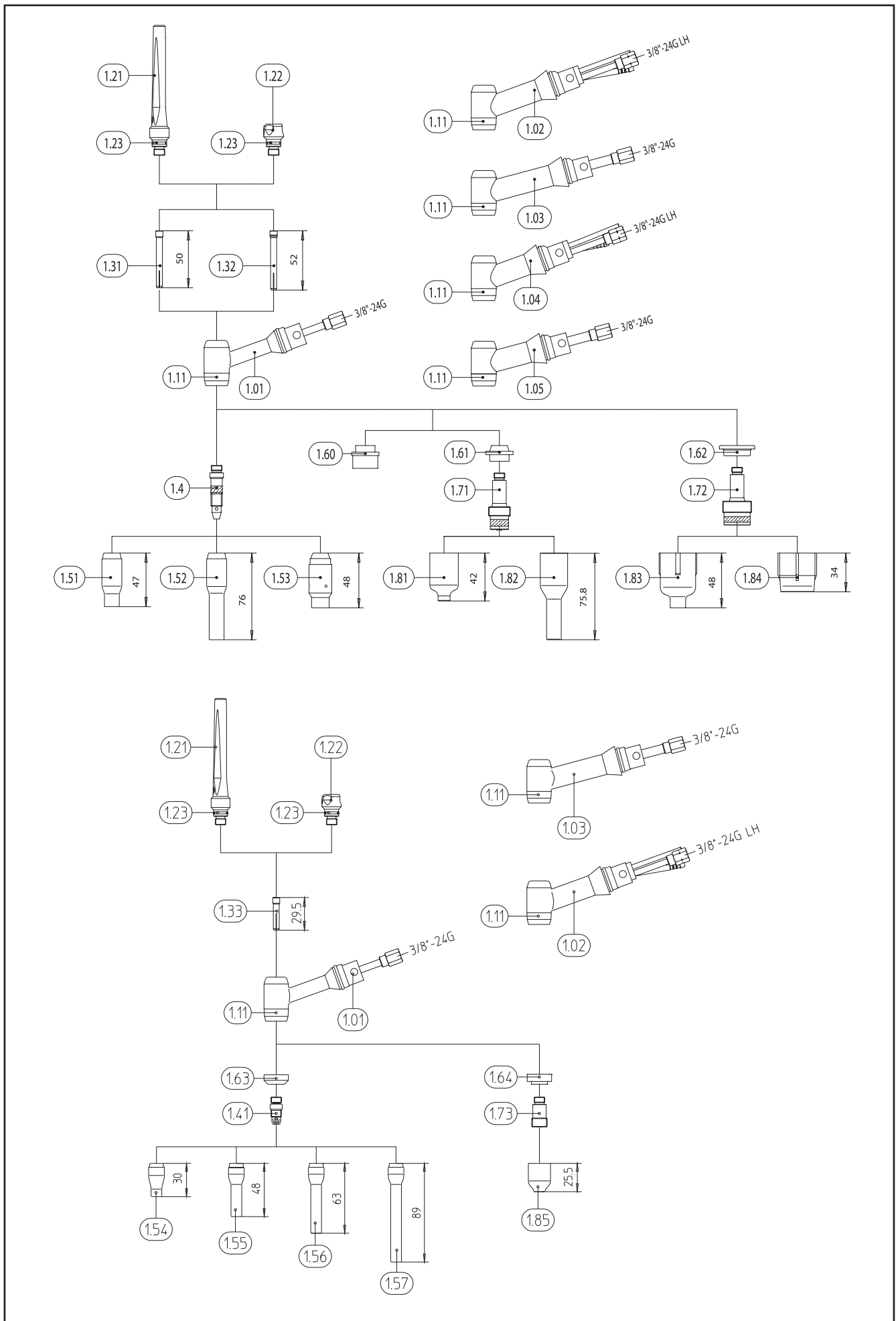
Subject to change without notice.

TIG Welding Torch ABITIG® 9 / ABITIG® 20



Pos.	Description	Units	Part-No.	Product-group
	Torch body			
1.01	Torch body ABITIG® 9		712.5020	2002
w/o. fig.	Torch body ABITIG® 9 F (flexible)		712.5030	2002
1.02	Torch body ABITIG® 20		712.3020	2002
1.11	Insulating ring	10 Pcs.	702.0055	2003
w/o. fig.	Shrink hose Ø 19.1 mm		104.0007	4050
	Wear parts			
1.21	Back cap, long; (41V24)	10 Pcs.	701.0247	2009
1.22	Back cap, short; (41V33)	10 Pcs.	701.0240	2009
1.23	Back cap, medium; (41V35)	10 Pcs.	701.0244	2009
1.24	O-Ring 4.6x2	20 Pcs.	165.0028	9010
1.3	Collet for electrode Ø 0.5 mm; 25.4 mm long; (13N20)	10 Pcs.	701.0249	2007
1.3	Collet for electrode Ø 1.0 mm; 25.4 mm long; (13N21)	10 Pcs.	701.0250	2007
1.3	Collet for electrode Ø 1.2 mm; 25.4 mm long	10 Pcs.	701.0254	2007
1.3	Collet for electrode Ø 1.6 mm; 25.4 mm long; (13N22)	10 Pcs.	701.0251	2007
1.3	Collet for electrode Ø 2.0 mm; 25.4 mm long	10 Pcs.	701.0255	2007
1.3	Collet for electrode Ø 2.4 mm; 25.4 mm long; (13N23)	10 Pcs.	701.0252	2007
1.3	Collet for electrode Ø 3.2 mm; 25.4 mm long; (13N24)	10 Pcs.	701.0253	2007
1.4	Collet body for electrode Ø 0.5 - 1.0 mm; (13N26)	10 Pcs.	701.0275	2008
1.4	Collet body for electrode Ø 1.2 mm	10 Pcs.	701.0279	2008
1.4	Collet body for electrode Ø 1.6 mm; (13N27)	10 Pcs.	701.0276	2008
1.4	Collet body for electrode Ø 2.0 mm	10 Pcs.	701.0280	2008
1.4	Collet body for electrode Ø 2.4 mm; (13N28)	10 Pcs.	701.0277	2008
1.4	Collet body for electrode Ø 3.2 mm; (13N29)	10 Pcs.	701.0278	2008
1.51	Ceramic gas nozzle; no. 4; Ø 6.5 mm; 30.0 mm long; (13N08)	10 Pcs.	701.0281	2004
1.51	Ceramic gas nozzle; no. 5; Ø 8.0 mm; 30.0 mm long; (13N09)	10 Pcs.	701.0282	2004
1.51	Ceramic gas nozzle; no. 6; Ø 9.5 mm; 30.0 mm long; (13N10)	10 Pcs.	701.0283	2004
1.51	Ceramic gas nozzle; no. 7; Ø 11.0 mm; 30.0 mm long; (13N11)	10 Pcs.	701.0284	2004

TIG Welding Torch ABITIG® 17 / ABITIG® 18 / ABITIG® 26

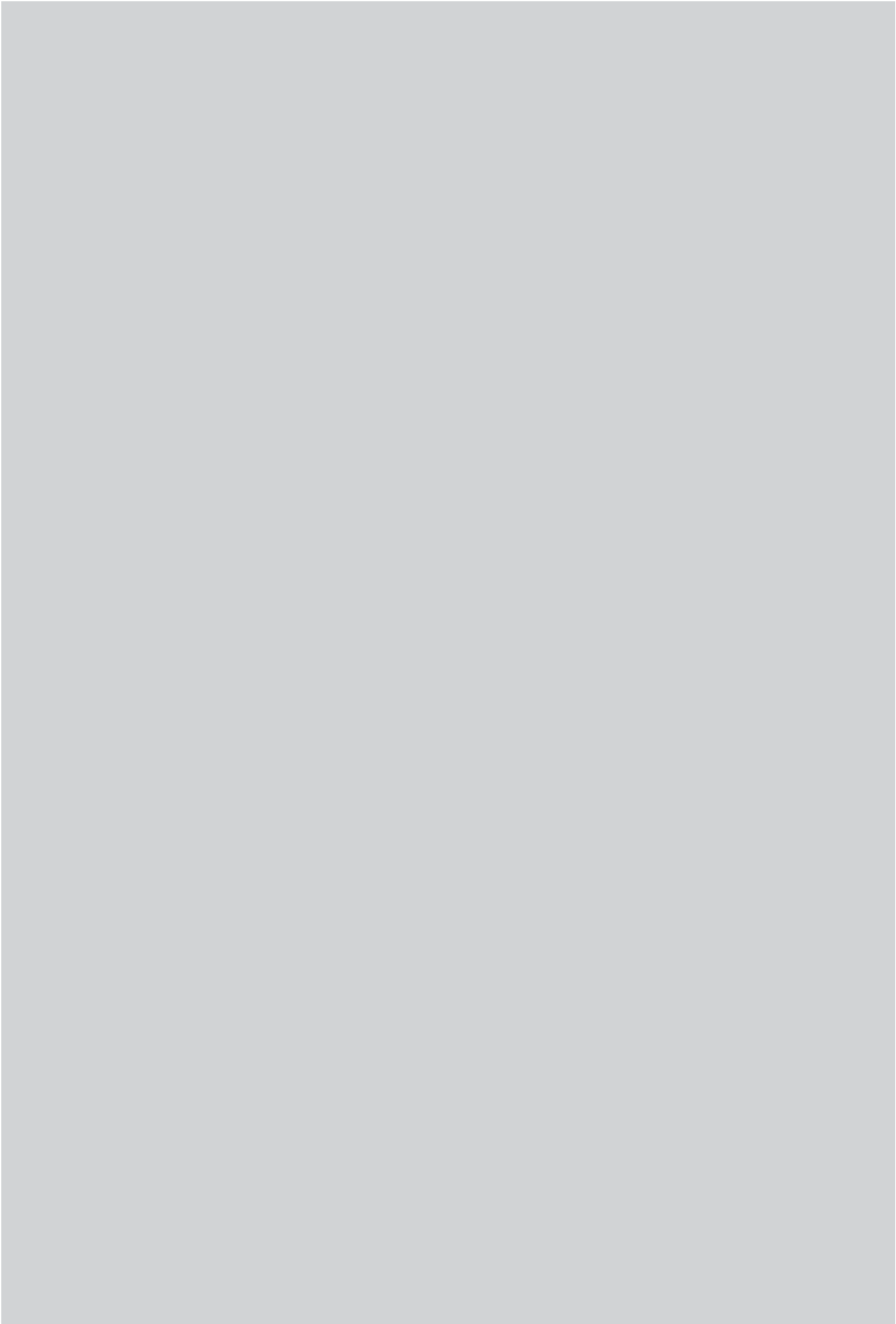


TIG Welding Torch ABITIG® 17 / ABITIG® 18 / ABITIG® 26

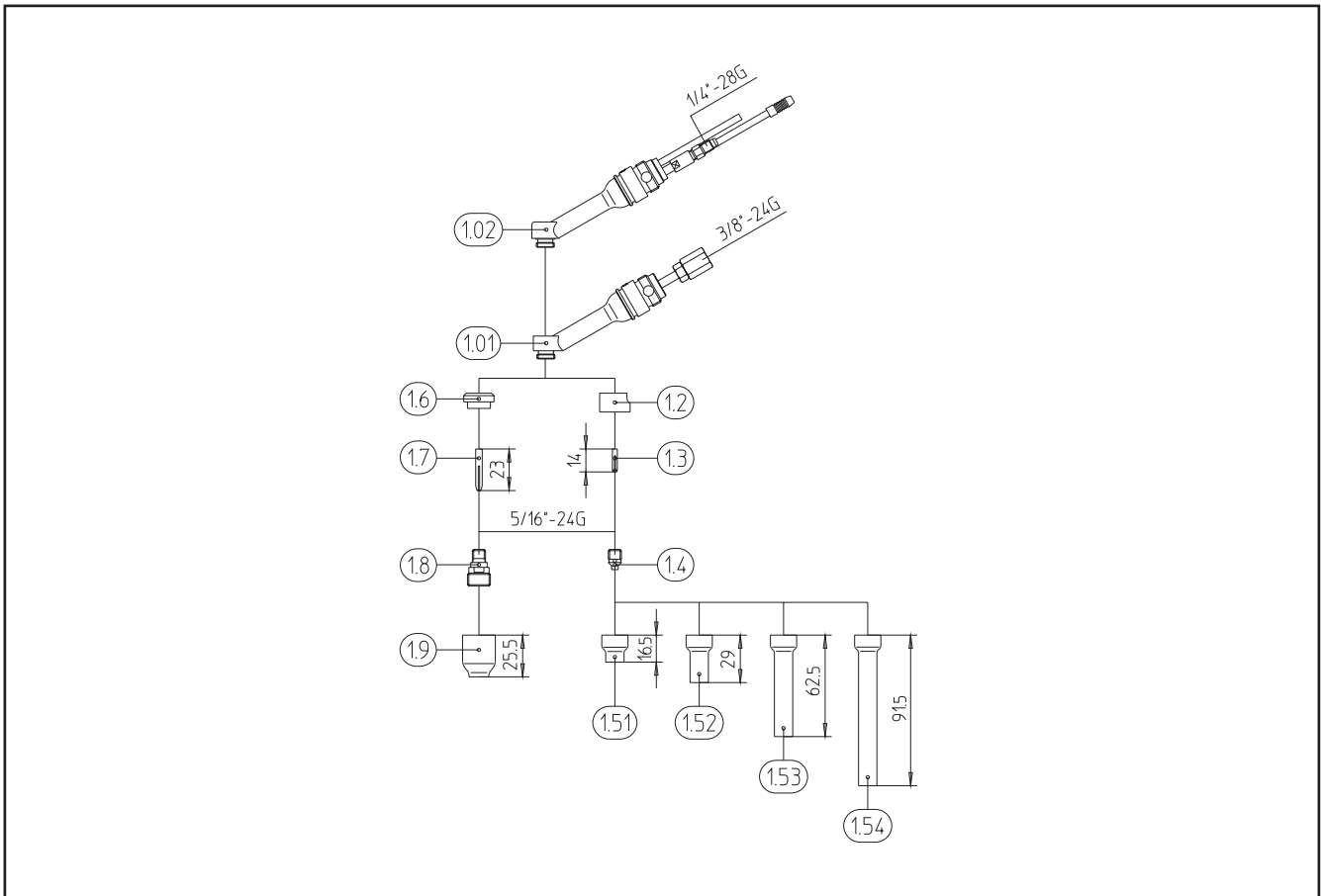
Pos.	Description	Units	Part-No.	Product-group
	Torch body			
1.01	Torch body ABITIG® 17		712.1020	2002
w/o. fig.	Torch body ABITIG® 17 F (flexible)		712.1030	2002
1.02	Torch body ABITIG® 18		712.2020	2002
w/o. fig.	Torch body ABITIG® 18 K (short)		712.2230	2002
1.03	Torch body ABITIG® 26		712.4020	2002
w/o. fig.	Torch body ABITIG® 26 K (short)		712.4230	2002
w/o. fig.	Torch body ABITIG® 26 F (flexible)		712.4030	2002
1.11	Insulating ring	10 Pcs.	703.0012	2003
w/o. fig.	Shrink hose Ø 19.1 mm		104.0007	4050
	Wear parts			
1.21	Back cap, long	5 Pcs.	712.1051	2009
1.22	Back cap, short	5 Pcs.	712.1053	2009
1.23	O-Ring 10x1.5	20 Pcs.	165.0012	9010
1.31	Collet for electrode Ø 0.5 mm; 50,0 mm long; (10N21)	10 Pcs.	702.0005	2007
1.31	Collet for electrode Ø 1.0 mm; 50,0 mm long; (10N22)	10 Pcs.	702.0006	2007
1.31	Collet for electrode Ø 1.2 mm; 50.0 mm long	10 Pcs.	702.0007	2007
1.31	Collet for electrode Ø 1.6 mm; 50.0 mm long; (10N23)	10 Pcs.	702.0008	2007
1.31	Collet for electrode Ø 2.0 mm; 50.0 mm long	10 Pcs.	702.0012	2007
1.31	Collet for electrode Ø 2.4 mm; 50.0 mm long; (10N24)	10 Pcs.	702.0009	2007
1.31	Collet for electrode Ø 3.2 mm; 50.0 mm long; (10N25)	10 Pcs.	702.0010	2007
1.31	Collet for electrode Ø 4.0 mm; 50.0 mm long; (54N20)	10 Pcs.	702.0011	2007
1.32	Collet for electrode Ø 0.5 mm; 52.0 mm long; (10N21D)	10 Pcs.	701.0169	2007
1.32	Collet for electrode Ø 1.0 mm; 52.0 mm long; (10N22D)	10 Pcs.	701.0171	2007
1.32	Collet for electrode Ø 1.2 mm; 52.0 mm long	10 Pcs.	701.0170	2007
1.32	Collet for electrode Ø 1.6 mm; 52.0 mm long; (10N23D)	10 Pcs.	701.0172	2007
1.32	Collet for electrode Ø 2.0 mm; 52.0 mm long	10 Pcs.	701.0176	2007
1.32	Collet for electrode Ø 2.4 mm; 52.0 mm long; (10N24D)	10 Pcs.	701.0173	2007
1.32	Collet for electrode Ø 3.2 mm; 52.0 mm long; (10N25D)	10 Pcs.	701.0174	2007
1.32	Collet for electrode Ø 4.0 mm; 52.0 mm long; (54N20D)	10 Pcs.	701.0175	2007
1.33	Collet for electrode Ø 1.0 mm; 29.5 mm long; (10N22S)	10 Pcs.	701.1220	2007
1.33	Collet for electrode Ø 1.6 mm; 29.5 mm long; (10N23S)	10 Pcs.	701.1221	2007
1.33	Collet for electrode Ø 2.0 mm; 29.5 mm long	10 Pcs.	701.1222	2007
1.33	Collet for electrode Ø 2.4 mm; 29.5 mm long; (10N24S)	10 Pcs.	701.1223	2007
1.33	Collet for electrode Ø 3.2 mm; 29.5 mm long; (10N25S)	10 Pcs.	701.1224	2007
1.4	Collet body for electrode Ø 0.5 - 1.2 mm; (10N30)	10 Pcs.	701.0190	2008
1.4	Collet body for electrode Ø 1.6 mm; (10N31)	10 Pcs.	701.0191	2008
1.4	Collet body for electrode Ø 2.0 - 2.4 mm; (10N32)	10 Pcs.	701.0196	2008
1.4	Collet body for electrode Ø 3.2 mm; (10N28)	10 Pcs.	701.0197	2008
1.4	Collet body for electrode Ø 4.0 mm; (406488)	10 Pcs.	701.0198	2008
1.41	Collet body for electrode Ø 1.0 - 3.2 mm	10 Pcs.	701.1218	2008
1.51	Ceramic gas nozzle; no. 4; Ø 6.5 mm; 47.0 mm long; (10N50)	10 Pcs.	701.0107	2004
1.51	Ceramic gas nozzle; no. 5; Ø 8.0 mm; 47.0 mm long; (10N49)	10 Pcs.	701.0108	2004
1.51	Ceramic gas nozzle; no. 6; Ø 9.5 mm; 47.0 mm long; (10N48)	10 Pcs.	701.0109	2004
1.51	Ceramic gas nozzle; no. 7; Ø 11.0 mm; 47.0 mm long; (10N47)	10 Pcs.	701.0110	2004
1.51	Ceramic gas nozzle; no. 8; Ø 12.5 mm; 47.0 mm long; (10N46)	10 Pcs.	701.0111	2004
1.51	Ceramic gas nozzle; no. 10; Ø 16.0 mm; 47.0 mm long; (10N45)	10 Pcs.	701.0113	2004
w/o. fig.	Ceramic gas nozzle; no. 12; Ø 19.5 mm; 50.0 mm long; (10N44)	10 Pcs.	701.0114	2004
1.52	Ceramic gas nozzle; no. 5; Ø 8.0 mm; 76.0 mm long; (10N49L)	10 Pcs.	701.0115	2004
1.52	Ceramic gas nozzle; no. 6; Ø 9.5 mm; 76.0 mm long; (10N48L)	10 Pcs.	701.0116	2004
1.52	Ceramic gas nozzle; no. 7; Ø 11.0 mm; 76.0 mm long; (10N47L)	10 Pcs.	701.0117	2004
1.53	Ceramic gas nozzle; no. 5; Ø 8.0 mm; 48.0 mm long with metal shield; (10N55)		701.0124	2004
1.53	Ceramic gas nozzle; no. 6; Ø 9.5 mm; 48.0 mm long with metal shield; (10N54)		701.0126	2004
1.53	Ceramic gas nozzle; no. 7; Ø 11.0 mm; 48.0 mm long with metal shield; (10N53)		701.0118	2004
1.53	Ceramic gas nozzle; no. 8; Ø 12.5 mm; 48.0 mm long with metal shield; (10N52)		701.0120	2004
1.53	Ceramic gas nozzle; no. 10; Ø 16.0 mm; 48.0 mm long with metal shield; (10N51)		701.0122	2004

TIG Welding Torch ABITIG® 17 / ABITIG® 18 / ABITIG® 26

Pos.	Description	Units	Part-No.	Product-group
w/o. fig.	Ceramic spot weld nozzle; no 8; Ø 12.5 mm; 55.0 mm long with metal shield (10N52P)		701.0129	2004
1.54	Ceramic gas nozzle; no. 4; Ø 6.5 mm; 30.0 mm long; (13N08)	10 Pcs.	701.0281	2004
1.54	Ceramic gas nozzle; no. 5; Ø 8.0 mm; 30.0 mm long; (13N09)	10 Pcs.	701.0282	2004
1.54	Ceramic gas nozzle; no. 6; Ø 9.5 mm; 30.0 mm long; (13N10)	10 Pcs.	701.0283	2004
1.54	Ceramic gas nozzle; no. 7; Ø 11.0 mm; 30.0 mm long; (13N11)	10 Pcs.	701.0284	2004
1.54	Ceramic gas nozzle; no. 8; Ø 12.5 mm; 30.0 mm long; (13N12)	10 Pcs.	701.0285	2004
1.54	Ceramic gas nozzle; no. 10; Ø 16.0 mm; 30.0 mm long; (13N13)	10 Pcs.	701.0286	2004
1.55	Ceramic gas nozzle; no. 4; Ø 6.5 mm; 48.0 mm long; (796F71)	10 Pcs.	701.0289	2004
1.55	Ceramic gas nozzle; no. 5; Ø 8.0 mm; 48.0 mm long; (796F72)	10 Pcs.	701.0290	2004
1.55	Ceramic gas nozzle; no. 6; Ø 9.5 mm; 48.0 mm long; (796F73)	10 Pcs.	701.0291	2004
1.56	Ceramic gas nozzle; no. 4; Ø 6.5 mm; 63.0 mm long; (796F75)	10 Pcs.	701.0293	2004
1.56	Ceramic gas nozzle; no. 5; Ø 8.0 mm; 63.0 mm long; (796F76)	10 Pcs.	701.0294	2004
1.57	Ceramic gas nozzle; no. 4; Ø 6.5 mm; 89.0 mm long; (796F79)	10 Pcs.	701.0296	2004
1.60	Insulator	10 Pcs.	701.0199	2003
1.61	Adaptor (54N01)	10 Pcs.	701.0130	2003
1.62	Adaptor (54N63)	5 Pcs.	701.1122	2003
1.63	Insulator (18CG20)	10 Pcs.	701.1219	2003
1.64	Insulator	10 Pcs.	701.1286	2003
1.71	Collet body for electrode with gas lens Ø 0.5 - 1.0 mm; (45V24)	10 Pcs.	701.0201	2008
1.71	Collet body for electrode with gas lens Ø 1.6 mm; (45V25)	10 Pcs.	701.0203	2008
1.71	Collet body for electrode with gas lens Ø 2.0 - 2.4 mm; (45V26)	10 Pcs.	701.0207	2008
1.71	Collet body for electrode with gas lens Ø 3.2 mm; (45V27)	10 Pcs.	701.0209	2008
1.71	Collet body for electrode with gas lens Ø 4.0 mm; (45V28)	10 Pcs.	701.0211	2008
1.72	Collet body for electrode with gas lens Ø 1.6 mm; (45V116)	5 Pcs.	701.1116	2008
1.72	Collet body for electrode with gas lens Ø 2.4 mm; (45V64)	5 Pcs.	701.1117	2008
1.72	Collet body for electrode with gas lens Ø 3.2 mm; (995795)	5 Pcs.	701.1118	2008
1.72	Collet body for electrode with gas lens Ø 4.0 mm; (45V63)	5 Pcs.	701.1208	2008
1.73	Collet body for electrode with gas lens Ø 1.0 mm	10 Pcs.	701.1287	2008
1.73	Collet body for electrode with gas lens Ø 1.6 mm	10 Pcs.	701.1288	2008
1.73	Collet body for electrode with gas lens Ø 2.4 mm	10 Pcs.	701.1289	2008
1.73	Collet body for electrode with gas lens Ø 3.2 mm	10 Pcs.	701.1290	2008
1.81	Ceramic gas nozzle; no. 4; Ø 6.5 mm; 42.0 mm long; (54N18)	10 Pcs.	701.0420	2004
1.81	Ceramic gas nozzle; no. 5; Ø 8.0 mm; 42.0 mm long; (54N17)	10 Pcs.	701.0421	2004
1.81	Ceramic gas nozzle; no. 6; Ø 9.5 mm; 42.0 mm long; (54N16)	10 Pcs.	701.0422	2004
1.81	Ceramic gas nozzle; no. 7; Ø 11.0 mm; 42.0 mm long; (54N15)	10 Pcs.	701.0423	2004
1.81	Ceramic gas nozzle; no. 8; Ø 12.5 mm; 42.0 mm long; (54N14)	10 Pcs.	701.0424	2004
1.81	Ceramic gas nozzle; no. 12; Ø 19.5 mm; 42.0 mm long; (54N19)	10 Pcs.	701.0426	2004
1.82	Ceramic gas nozzle; no. 5; Ø 8.0 mm; 76.0 mm long; (54N17L)	10 Pcs.	701.0427	2004
1.82	Ceramic gas nozzle; no. 6; Ø 9.5 mm; 76.0 mm long; (54N16L)	10 Pcs.	701.0428	2004
1.82	Ceramic gas nozzle; no. 7; Ø 11.0 mm; 76.0 mm long; (54N15L)	10 Pcs.	701.0429	2004
1.83	Ceramic gas nozzle; no. 6; Ø 9.5 mm; 48.0 mm long; (57N75)	10 Pcs.	701.1199	2004
1.83	Ceramic gas nozzle; no. 8; Ø 12.5 mm; 48.0 mm long; (57N74)	10 Pcs.	701.1200	2004
1.83	Ceramic gas nozzle; no.10; Ø 16.0 mm; 48.0 mm long (53N88)	10 Pcs.	701.1201	2004
1.83	Ceramic gas nozzle; no.12; Ø 19.5 mm; 48.0 mm long; (53N87)	10 Pcs.	701.1121	2004
1.84	Ceramic gas nozzle; Ø 24.0 mm; 34.0 mm long; (53N89)	10 Pcs.	701.1202	2004
1.85	Ceramic gas nozzle; no. 4; Ø 6.5 mm; 25.5 mm long; (53N58)	10 Pcs.	701.0317	2004
1.85	Ceramic gas nozzle; no. 5; Ø 8.0 mm; 25.5 mm long; (53N59)	10 Pcs.	701.0318	2004
1.85	Ceramic gas nozzle; no. 6; Ø 9.5 mm; 25.5 mm long; (53N60)	10 Pcs.	701.0319	2004
1.85	Ceramic gas nozzle; no. 7; Ø 11.0 mm; 25.5 mm long; (53N61)	10 Pcs.	701.0320	2004

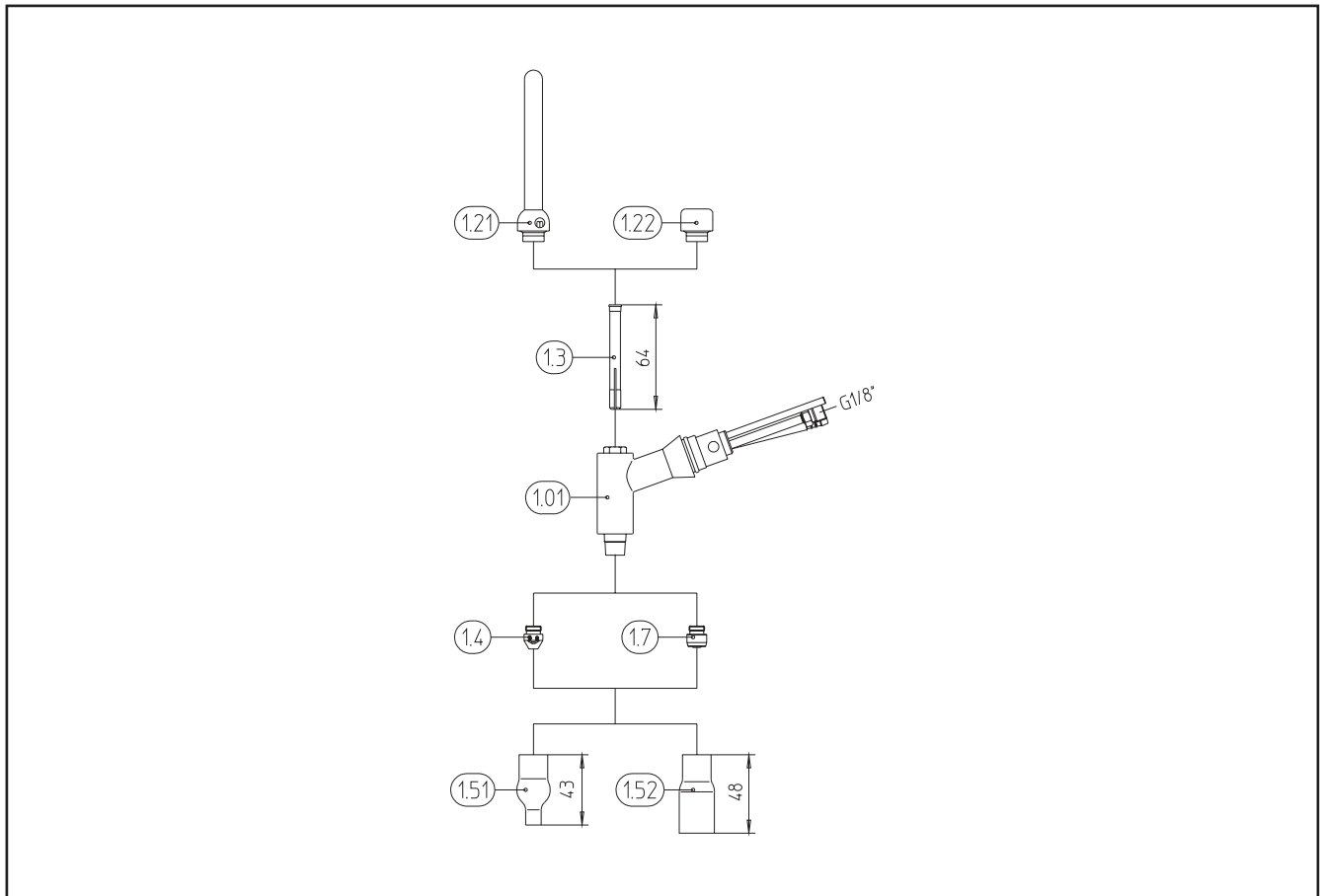


TIG Welding Torch ABITIG® 24 G / ABITIG® 24 W

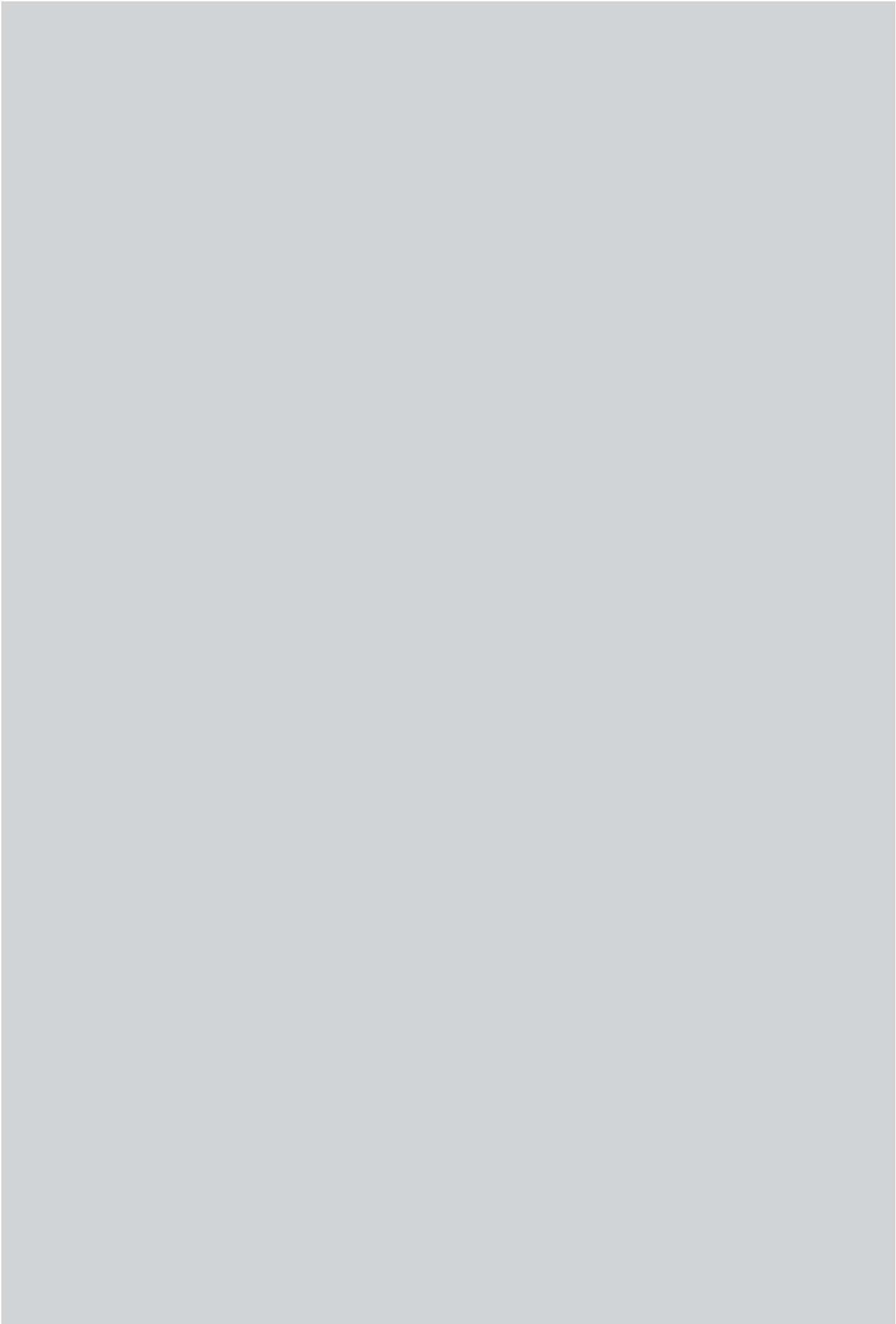


Pos.	Description	Units	Part-No.	Product-group
Torch body				
1.01	Torch body ABITIG® 24 G		712.7020	2002
1.02	Torch body ABITIG® 24 W		712.7120	2002
1.2	Insulator (53N22)	10 Pcs.	701.0458	2003
Wear parts				
1.3	Collet for electrode Ø 0.5 mm; 14.0 mm long; (53N15)	10 Pcs.	701.0452	2007
1.3	Collet for electrode Ø 1.0 mm; 14.0 mm long; (53N16)	10 Pcs.	701.0453	2007
1.3	Collet for electrode Ø 1.2 mm; 14.0 mm long	10 Pcs.	701.0455	2007
1.3	Collet for electrode Ø 1.6 mm; 14.0 mm long; (53N14)	10 Pcs.	701.0454	2007
1.3	Collet for electrode Ø 2.0 mm; 14.0 mm long	10 Pcs.	701.0456	2007
1.3	Collet for electrode Ø 2.4 mm; 14.0 mm long; (24C332)	10 Pcs.	701.0457	2007
1.4	Collet body for electrode Ø 0.5 mm; (53N17)	10 Pcs.	701.0479	2008
1.4	Collet body for electrode Ø 1.0 mm; (53N18)	10 Pcs.	701.0480	2008
1.4	Collet body for electrode Ø 1.2 mm	10 Pcs.	701.0483	2008
1.4	Collet body for electrode Ø 1.6 mm; (53N19)	10 Pcs.	701.0481	2008
1.4	Collet body for electrode Ø 2.0 mm	10 Pcs.	701.0484	2008
1.4	Collet body for electrode Ø 2.4 mm; (24CB332)	10 Pcs.	701.0482	2008
1.51	Ceramic gas nozzle; no. 4; Ø 6.5 mm; 16.5 mm long; (53N24)	10 Pcs.	701.0468	2004
1.51	Ceramic gas nozzle; no. 5; Ø 8.0 mm; 16.5 mm long; (53N25)	10 Pcs.	701.0469	2004
1.51	Ceramic gas nozzle; no. 6; Ø 9.5 mm; 16.5 mm long; (53N27)	10 Pcs.	701.0470	2004
1.52	Ceramic gas nozzle; no. 4; Ø 6.5 mm; 29.0 mm long; (53N28)	10 Pcs.	701.0471	2004
1.52	Ceramic gas nozzle; no. 6; Ø 9.5 mm; 29.0 mm lang; (53N26)	10 Pcs.	701.0472	2004
1.53	Ceramic gas nozzle; no. 4L; Ø 6.5 mm; 62.5 mm long; (53N24L)	10 Pcs.	701.0473	2004
1.54	Ceramic gas nozzle; no. 5L; Ø 8.0 mm; 91.5 mm long; (53N27L)	10 Pcs.	701.0474	2004
1.6	Insulator (53N66)	10 Pcs.	701.0459	2003
1.7	Collet for electrode Ø 0.5 mm; 23.0 mm long	10 Pcs.	701.0461	2007
1.7	Collet for electrode Ø 1.0 mm; 23.0 mm long; (53N63)	10 Pcs.	701.0462	2007
1.7	Collet for electrode Ø 1.2 mm; 23.0 mm long	10 Pcs.	701.0464	2007

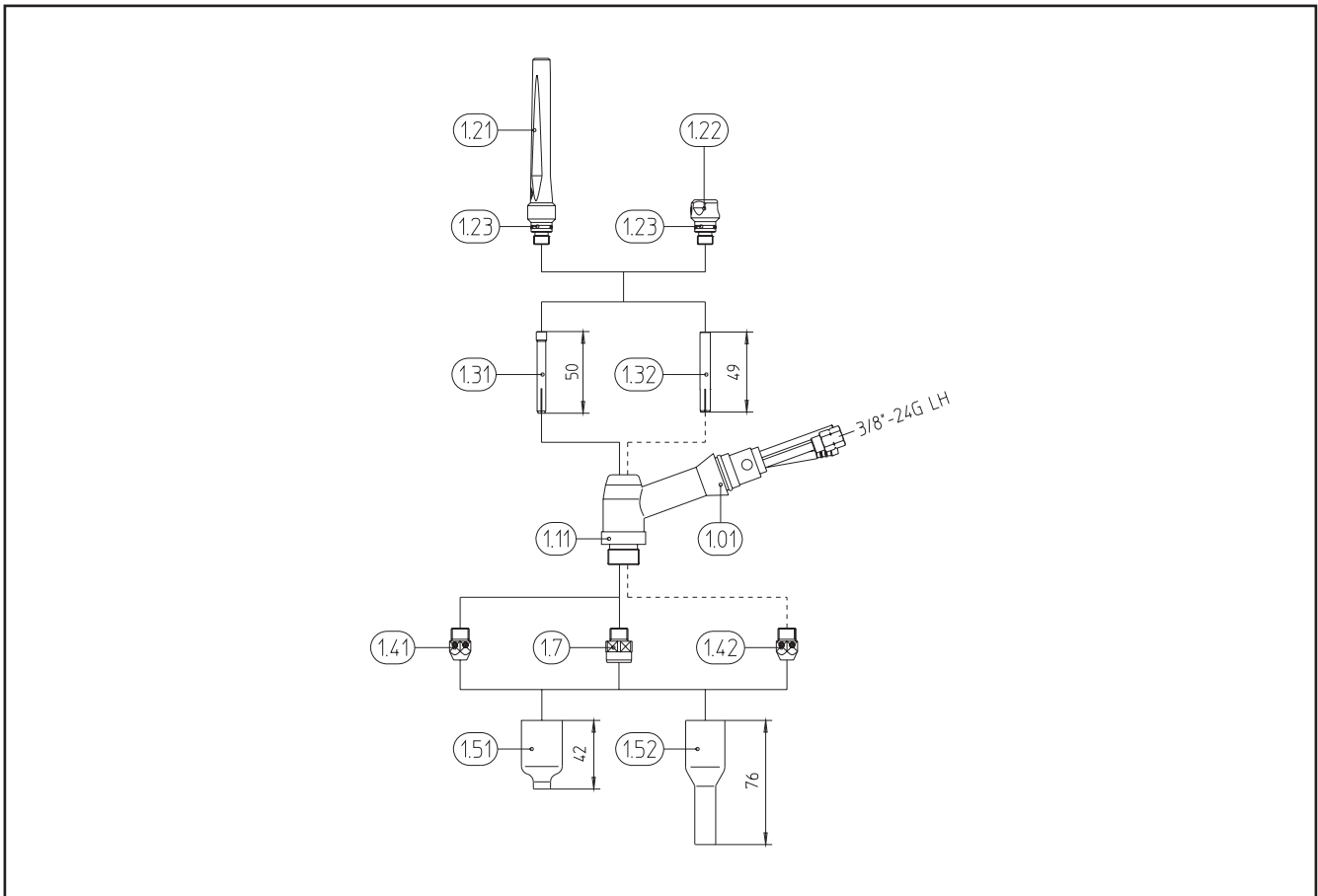
TIG Welding Torch ABITIG® 12-1



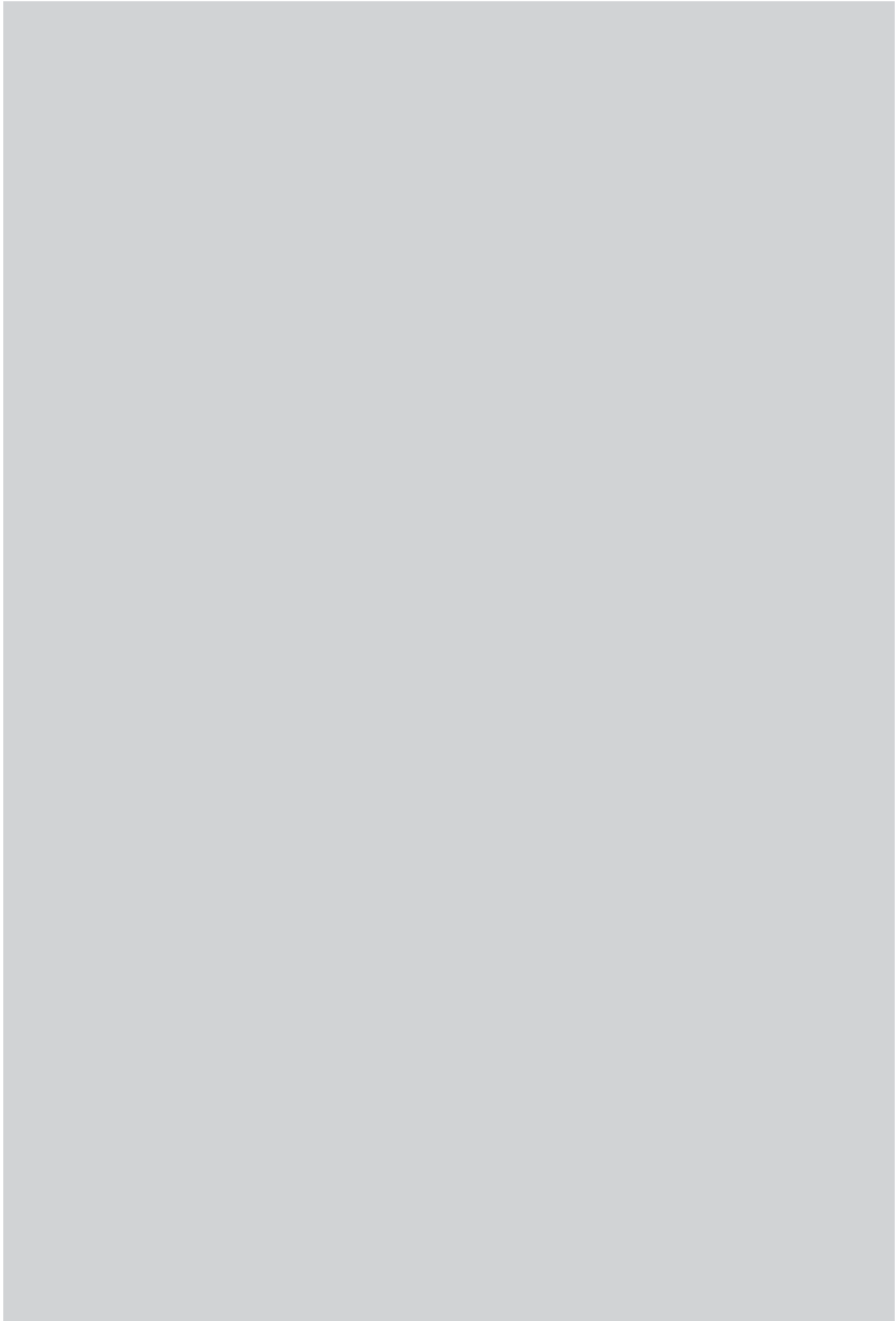
Pos.	Description	Units	Part-No.	Product-group
	Torch body			
1.01	Torch body ABITIG® 12-1		712.0020	2002
w/o. fig.	Shrink hose Ø 19.1 mm		104.0007	4050
	Wear parts			
1.21	Back cap, long		712.0051	2009
1.22	Back cap, short		712.0053	2009
1.3	Collet for electrode Ø 1.6 mm; 64.0 mm long	10 Pcs.	712.0062	2007
1.3	Collet for electrode Ø 2.4 mm; 64.0 mm long	10 Pcs.	712.0063	2007
1.3	Collet for electrode Ø 3.2 mm; 64.0 mm long	10 Pcs.	712.0064	2007
1.3	Collet for electrode Ø 4.0 mm; 64.0 mm long	10 Pcs.	712.0065	2007
1.4	Collet body for electrode Ø 1.6 mm	10 Pcs.	712.0072	2008
1.4	Collet body for electrode Ø 2.4 mm	10 Pcs.	712.0073	2008
1.4	Collet body for electrode Ø 3.2 mm	10 Pcs.	712.0074	2008
1.4	Collet body for electrode Ø 4.0 mm	10 Pcs.	712.0075	2008
1.51	Ceramic gas nozzle; no. 4; Ø 6.5 mm; 43.0 mm long	10 Pcs.	704.0046	2004
1.51	Ceramic gas nozzle; no. 5; Ø 8.0 mm; 43.0 mm long	10 Pcs.	704.0047	2004
1.51	Ceramic gas nozzle; no. 6; Ø 9.5 mm; 43.0 mm long	10 Pcs.	704.0048	2004
1.51	Ceramic gas nozzle; no. 7; Ø 11.0 mm; 43.0 mm long	10 Pcs.	704.0049	2004
1.51	Ceramic gas nozzle; no. 8; Ø 12.5 mm; 43.0 mm long	10 Pcs.	704.0050	2004
1.51	Ceramic gas nozzle; no. 9; Ø 14.5 mm; 43.0 mm long	10 Pcs.	704.0051	2004
1.51	Ceramic gas nozzle; no. 10; Ø 16.0 mm; 48.0 mm long	10 Pcs.	704.0052	2004
1.52	Ceramic gas nozzle; no. 11; Ø 17.5 mm	10 Pcs.	704.0053	2004
1.7	Collet body for electrode with gas lens Ø 1.6 mm		712.0101	2008
1.7	Collet body for electrode with gas lens Ø 2.4 mm		712.0102	2008
1.7	Collet body for electrode with gas lens Ø 3.2 mm		712.0103	2008
1.7	Collet body for electrode with gas lens Ø 4.0 mm		712.0104	2008



TIG Welding Torch ABITIG® 18 SC



Pos.	Description	Units	Part-No.	Product-group
	Torch body			
1.01	Torch body ABITIG® 18 SC		712.6020	2002
w/o. fig.	Shrink hose Ø 19.1 mm		104.0007	4050
	Wear parts			
1.11	Insulating ring	5 Pcs.	712.6043	2003
1.21	Back cap, long	5 Pcs.	712.1051	2009
1.22	Back cap, short	5 Pcs.	712.1053	2009
1.23	O-Ring 10x1.5	20 Pcs.	165.0012	9010
1.31	Collet for electrode Ø 0.5 mm; 50,0 mm long; (10N21)	10 Pcs.	702.0005	2007
1.31	Collet for electrode Ø 1.0 mm; 50,0 mm long; (10N22)	10 Pcs.	702.0006	2007
1.31	Collet for electrode Ø 1.6 mm; 50.0 mm long; (10N23)	10 Pcs.	702.0008	2007
1.31	Collet for electrode Ø 2.4 mm; 50.0 mm long; (10N24)	10 Pcs.	702.0009	2007
1.31	Collet for electrode Ø 3.2 mm; 50.0 mm long; (10N25)	10 Pcs.	702.0010	2007
1.32	Collet for electrode HL Ø 3.2 mm; 49.0 mm long; (10N25HD)	10 Pcs.	712.6064	2007
1.32	Collet for electrode HL Ø 4.0 mm; 49.0 mm long; (54N20HD)	10 Pcs.	712.6065	2007
1.32	Collet for electrode HL Ø 4.8 mm; 49.0 mm long; (18C36)	10 Pcs.	712.6066	2007
1.41	Collet body for electrode Ø 0.5 - 3.2 mm; (NCB-53)		712.6074	2008
1.42	Collet body for electrode HL Ø 3.2 - 4.8 mm; (NCB-36)		712.6076	2008
1.51	Ceramic gas nozzle; no. 4; Ø 6.5 mm; 42.0 mm long; (54N18)	10 Pcs.	701.0420	2004
1.51	Ceramic gas nozzle; no. 5; Ø 8.0 mm; 42.0 mm long; (54N17)	10 Pcs.	701.0421	2004
1.51	Ceramic gas nozzle; no. 6; Ø 9.5 mm; 42.0 mm long; (54N16)	10 Pcs.	701.0422	2004
1.51	Ceramic gas nozzle; no. 7; Ø 11.0 mm; 42.0 mm long; (54N15)	10 Pcs.	701.0423	2004
1.51	Ceramic gas nozzle; no. 8; Ø 12.5 mm; 42.0 mm long; (54N14)	10 Pcs.	701.0424	2004
1.51	Ceramic gas nozzle; no. 12; Ø 19.5 mm; 42.0 mm long; (54N19)	10 Pcs.	701.0426	2004
1.52	Ceramic gas nozzle; no. 5; Ø 8.0 mm; 76.0 mm long; (54N17L)	10 Pcs.	701.0427	2004
1.52	Ceramic gas nozzle; no. 6; Ø 9.5 mm; 76.0 mm long; (54N16L)	10 Pcs.	701.0428	2004
1.52	Ceramic gas nozzle; no. 7; Ø 11.0 mm; 76.0 mm long; (54N15L)	10 Pcs.	701.0429	2004
1.7	Collet body for electrode with gas lens Ø 0.5 mm; (18GL02)		712.6099	2008





TIG Welding Torches **ABITIG®** air- and liquid-cooled

“The new generation – future today”

The ABITIG® line of new generation, air- and liquid-cooled TIG Torches offer leading edge performance in a comfortable and light weight package. The new cooling system guarantees long service life of both the torch body and consumables and enables the use of smaller tungsten electrodes through optimised heat dissipation.

The reduction in the quantity of consumables to only 3 components (torch cap, electrode holder/gas diffuser and screwable gas nozzle) simplifies use and helps to reduce stocking costs.

An insulating ring prevents the heat from the gas nozzle reaching the torch body. This protects the torch, increases service life and reduces further operating costs.

The new “intelligent” handle offers increased comfort due to the integration of all remote control functions. In addition, the handle is well protected against high frequency and the torch body rotates freely optimising operator comfort.

- High rating with smallest possible size
- One ergonomic handle for all ABITIG® torch types
- Modular switching and control functions integrated in the handle
- Light and flexible cable assemblies with modular machine-side connections for all salable TIG welding power sources
- Reduced storage costs with only 3 consumables
- Modular design

Technical data
(EN 60 974-7)

TIG Welding Torch “ABITIG®” (air-cooled)

Type	Rating (A)		Duty cycle (%)	Tungsten electrode- \varnothing (mm)
	DC	AC		
ABITIG® 150 / 150 F	150	105	35	1.0 - 2.4
ABITIG® 200 / 200 F	200	140	35	1.6 - 3.2

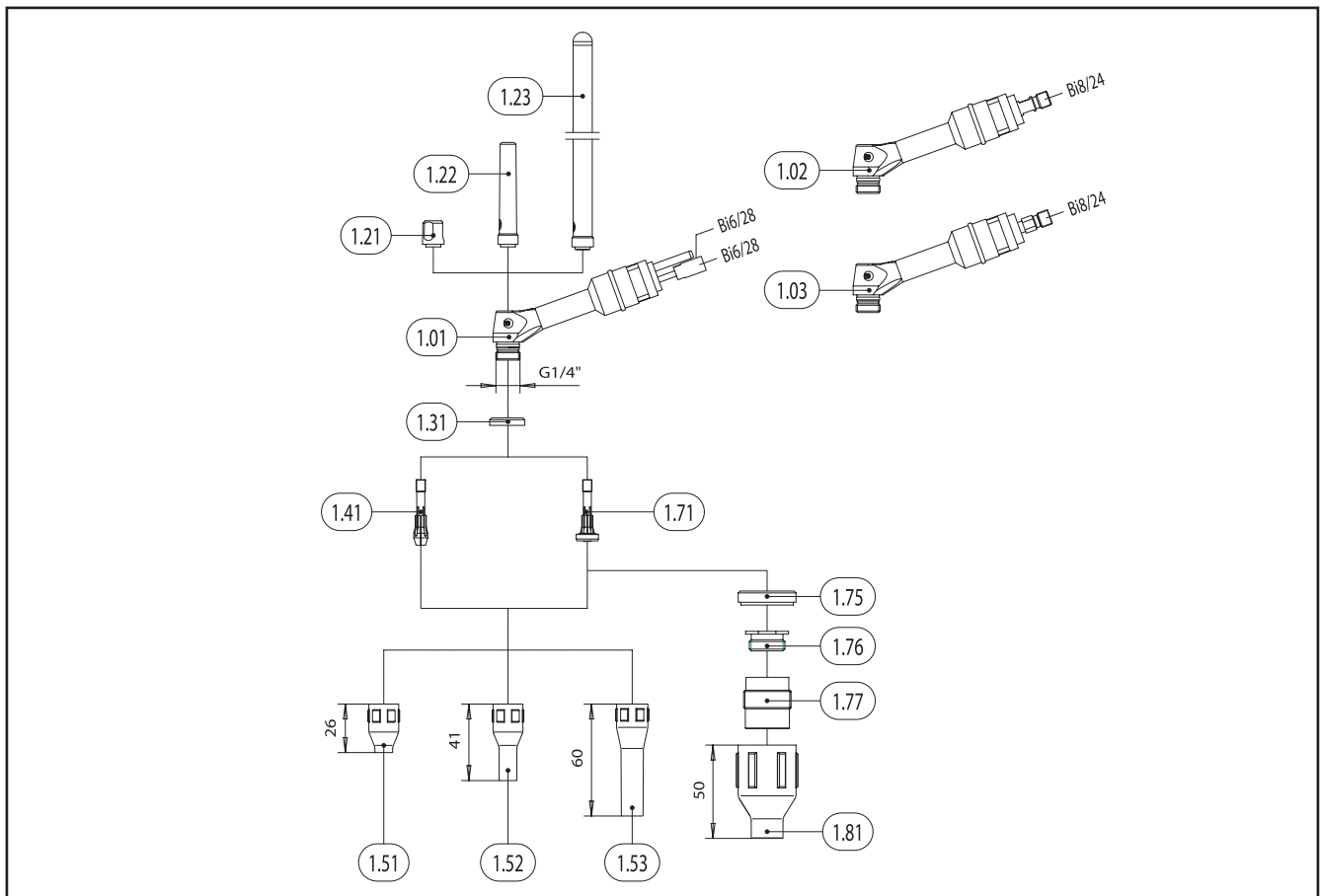
F=Flexible. Subject to change without notice.

TIG Welding Torch “ABITIG®” (liquid-cooled)

Type	Rating (A)		Duty cycle (%)	Tungsten electrode- \varnothing (mm)
	DC	AC		
ABITIG® 260 W	240	170	60	1.0 - 3.2
ABITIG® 450 W	420	300	60	1.6 - 4.8
ABITIG® 450 W SC	480	340	60	1.6 - 4.8

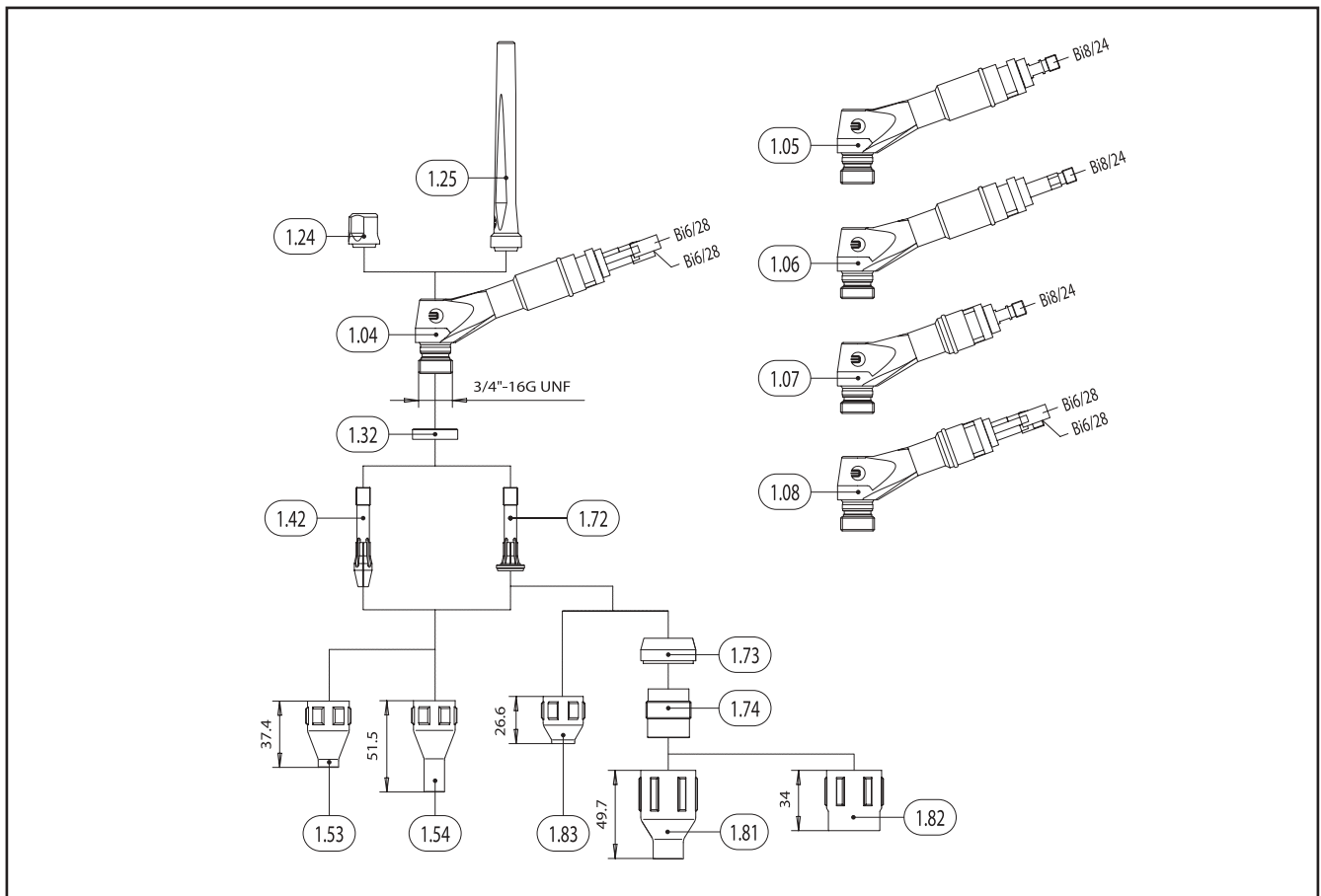
Subject to change without notice.

TIG Welding Torch ABITIG® 150 / ABITIG® 260 W



Pos.	Description	Units	Part-No.	Product-group
Torch body				
1.01	Torch body ABITIG® 260 W		777.0010	2522
1.02	Torch body ABITIG® 150		776.0010	2522
1.03	Torch body ABITIG® 150F (flexible)		776.0130	2522
Wear parts				
1.21	Back cap, short		776.0053	2545
1.22	Back cap, medium		771.0051	2545
1.23	Back cap, long		776.0051	2545
1.31	Insulator	10 Pcs.	776.1043	2541
1.41	Electrode holder for electrode WE Ø 1.0 mm	5 Pcs.	776.0061	2548
1.41	Electrode holder for electrode WE Ø 1.6 mm	5 Pcs.	776.0062	2548
1.41	Electrode holder for electrode WE Ø 2.0 mm	5 Pcs.	776.0067	2548
1.41	Electrode holder for electrode WE Ø 2.4 mm	5 Pcs.	776.0063	2548
1.41	Electrode holder for electrode WE Ø 3.2 mm	5 Pcs.	776.0064	2548
1.51	Ceramic gas nozzle 26 mm; ND 6.5 mm	10 Pcs.	777.0081	2541
1.51	Ceramic gas nozzle 26 mm; ND 8.0 mm	10 Pcs.	777.0082	2541
1.51	Ceramic gas nozzle 26 mm; ND 10.0 mm	10 Pcs.	777.0083	2541
1.51	Ceramic gas nozzle 26 mm; ND 11.5 mm	10 Pcs.	777.0084	2541
1.52	Ceramic gas nozzle 36 mm; ND 6.5 mm	10 Pcs.	777.2171	2541
1.52	Ceramic gas nozzle 36 mm; ND 8.0 mm	10 Pcs.	777.2172	2541
1.52	Ceramic gas nozzle 36 mm; ND 10.0 mm	10 Pcs.	777.2173	2541
1.52	Ceramic gas nozzle 36 mm; ND 11.5 mm	10 Pcs.	777.2174	2541
1.53	Ceramic gas nozzle 60 mm; ND 6.5 mm	10 Pcs.	777.2175	2541
1.53	Ceramic gas nozzle 60 mm; ND 8.0 mm	10 Pcs.	777.2176	2541
1.71	Gas diffuser for electrode WE-Ø 1.0 mm		776.0171	2548
1.71	Gas diffuser for electrode WE-Ø 1.6 mm		776.0172	2548
1.71	Gas diffuser for electrode WE-Ø 2.0 mm		776.0177	2548
1.71	Gas diffuser for electrode WE-Ø 2.4 mm		776.0173	2548

TIG Welding Torch ABITIG® 200 / ABITIG® 450 W / 450 W SC



Pos.	Description	Units	Part-No.	Product-group
Torch body				
1.04	Torch body ABITIG® 450W		775.0010	2522
w/o. fig.	Torch body ABITIG® 450W K (short)		775.0230	2522
1.05	Torch body ABITIG® 200		774.0010	2522
w/o. fig.	Torch body ABITIG® 200 K (short)		774.0230	2522
1.06	Torch body ABITIG® 200 F (flexible)		774.0130	2522
Component kits				
1.24	Back cap, short		773.0053	2545
1.25	Back cap, long		773.0051	2545
1.32	Insulator		775.1043	2555
Wear parts				
1.42	Electrode holder for electrode WE Ø 1.6 mm	5 Pcs.	775.0062	2548
1.42	Electrode holder for electrode WE Ø 2.0 mm	5 Pcs.	775.0067	2548
1.42	Electrode holder for electrode WE Ø 2.4 mm	5 Pcs.	775.0063	2548
1.42	Electrode holder for electrode WE Ø 3.2 mm	5 Pcs.	775.0064	2548
1.42	Electrode holder for electrode WE Ø 4.0 mm	5 Pcs.	775.0065	2548
1.42	Electrode holder for electrode WE Ø 4.8 mm	5 Pcs.	775.0066	2548
1.53	Ceramic gas nozzle 37.4 mm; ND 7.5 mm	10 Pcs.	775.0081	2541
1.53	Ceramic gas nozzle 37.4 mm; ND 10.5 mm	10 Pcs.	775.0082	2541
1.53	Ceramic gas nozzle 37.4 mm; ND 13.0 mm	10 Pcs.	775.0083	2541
1.53	Ceramic gas nozzle 37.4 mm; ND 13.0 mm (reenforced)	10 Pcs.	775.0183	2541
1.53	Ceramic gas nozzle 37.4 mm; ND 15.0 mm	10 Pcs.	775.0084	2541
1.53	Ceramic gas nozzle 37.4 mm; ND 15.0 mm (reenforced)	10 Pcs.	775.0184	2541
1.54	Ceramic gas nozzle 51.5 mm; ND 7.5 mm	10 Pcs.	775.2171	2541
1.54	Ceramic gas nozzle 51.5 mm; ND 10.0 mm	10 Pcs.	775.2172	2541
1.54	Ceramic gas nozzle 51.5 mm; ND 13.0 mm	10 Pcs.	775.2173	2541
1.54	Ceramic gas nozzle 51.5 mm; ND 16.0 mm	10 Pcs.	775.2174	2541
1.72	Gas diffuser for electrode WE-Ø 1.6 mm		773.0172	2548

Notes

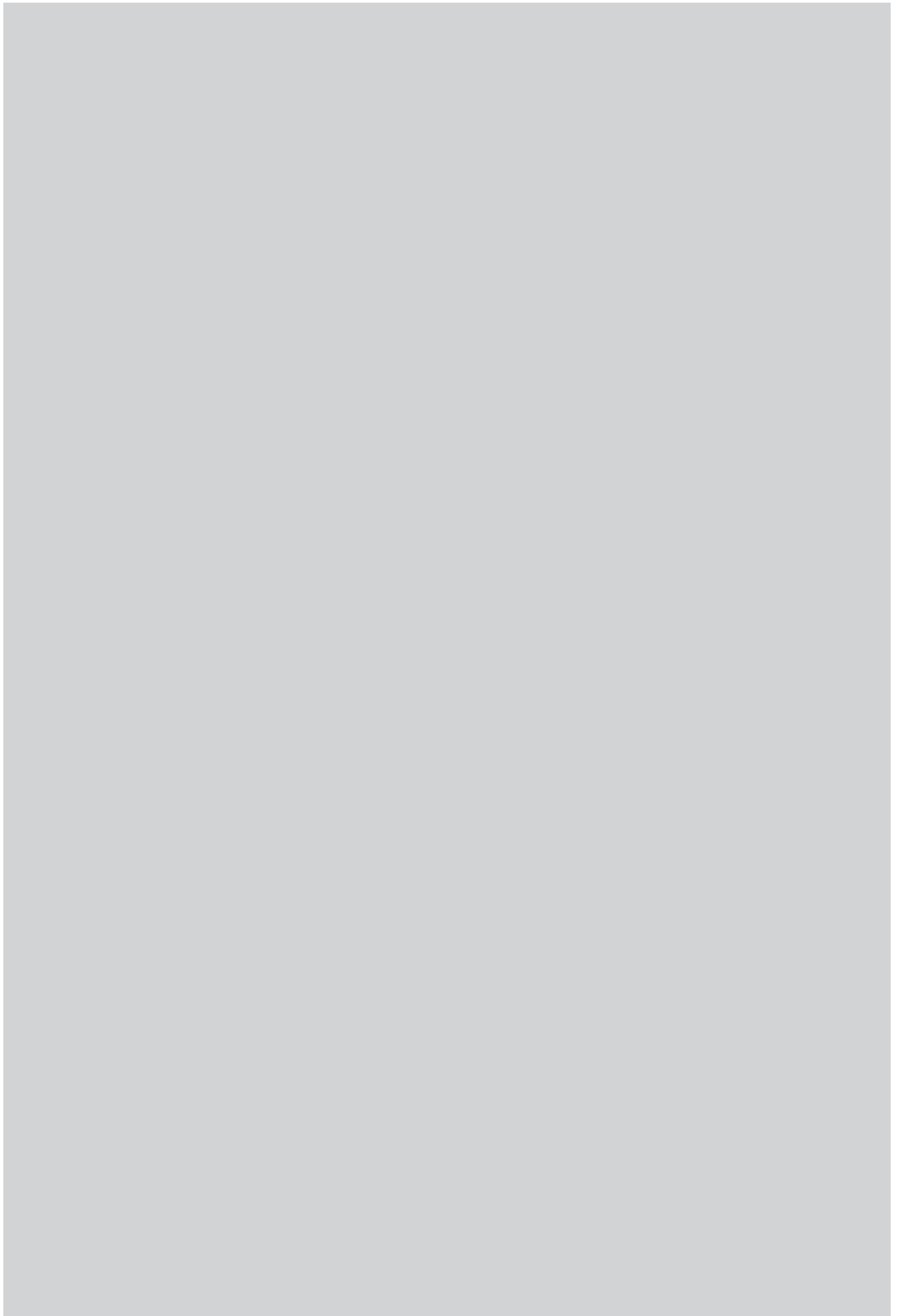


Component kits **ABITIG®** for manual welding torches air- and liquid-cooled

- **Component kit „Standard“ for ABITIG® 9 / 17 / 18 / 18 SC / 20 / 26 and 12-1** consisting of:
Back cap long, collet, collet body and gas nozzle ceramic
- **Component kit „Gas lens“ for ABITIG® 9 / 17 / 18 / 18 SC / 20 / 26 and 12-1** consisting of:
Back cap long, collet, collet body with gas lens and gas nozzle ceramic
- **Component kit „Electrode holder“ for ABITIG® 150 and 260 W** consisting of:
Back cap middle, electrode holder and gas nozzle ceramic
- **Component kit „Gas diffuser“ for ABITIG® 150 and 260 W** consisting of:
Back cap middle, gas diffuser and gas nozzle ceramic
- **Component kit „Electrode holder“ for ABITIG® 200, 450 W and 450 W SC** consisting of:
Back cap long, electrode holder and gas nozzle ceramic
- **Component kit „Gas diffuser“ for ABITIG® 200, 450 W and 450 W SC** consisting of:
Back cap long, gas diffuser and gas nozzle ceramic

Component kits

Pos.	Description	Units	Part-No.	Product-group
	Component kit ABITIG® 9 / 20			
w/o. fig.	Component kit for electrode WE-Ø 1.6		712.3151	2005
w/o. fig.	Component kit for electrode WE-Ø 2.4		712.3152	2005
w/o. fig.	Component kit for electrode WE-Ø 3.2		712.3153	2005
	Component kit gas lense ABITIG® 9 / 20			
w/o. fig.	Component kit for electrode gas lens WE-Ø 1.6		712.3191	2005
w/o. fig.	Component kit for electrode gas lens WE-Ø 2.4		712.3192	2005
w/o. fig.	Component kit for electrode gas lens WE-Ø 3.2		712.3193	2005
	Component kit ABITIG® 17 / 18 / 26			
w/o. fig.	Component kit for electrode WE-Ø 1.6		712.2151	2005
w/o. fig.	Component kit for electrode WE-Ø 2.4		712.2152	2005
w/o. fig.	Component kit for electrode WE-Ø 3.2		712.2153	2005
w/o. fig.	Component kit for electrode WE-Ø 4.0		712.2154	2005
	Component kit gas lense ABITIG® 17 / 18 / 26			
w/o. fig.	Component kit for electrode gas lens WE-Ø 1.6		712.2191	2005
w/o. fig.	Component kit for electrode gas lens WE-Ø 2.4		712.2192	2005
w/o. fig.	Component kit for electrode gas lens WE-Ø 3.2		712.2193	2005
w/o. fig.	Component kit for electrode gas lens WE-Ø 4.0		712.2194	2005
	Component kit ABITIG® 12-1			
w/o. fig.	Component kit for electrode WE-Ø 1.6		712.0151	2005
w/o. fig.	Component kit for electrode WE-Ø 2.4		712.0152	2005
w/o. fig.	Component kit for electrode WE-Ø 3.2		712.0153	2005
w/o. fig.	Component kit for electrode WE-Ø 4.0		712.0154	2005
	Component kit gas lense ABITIG® 12-1			
w/o. fig.	Component kit for electrode gas lens WE-Ø 1.6		712.0191	2005
w/o. fig.	Component kit for electrode gas lens WE-Ø 2.4		712.0192	2005
w/o. fig.	Component kit for electrode gas lens WE-Ø 3.2		712.0193	2005
w/o. fig.	Component kit for electrode gas lens WE-Ø 4.0		712.0194	2005
	Component kit ABITIG® 18 SC			
w/o. fig.	Component kit for electrode WE-Ø 1.6		712.6151	2005
w/o. fig.	Component kit for electrode WE-Ø 2.4		712.6152	2005
w/o. fig.	Component kit for electrode HL WE-Ø 3.2		712.6153	2005
w/o. fig.	Component kit for electrode HL WE-Ø 4.0		712.6154	2005
w/o. fig.	Component kit for electrode HL WE-Ø 4.8		712.6155	2005
	Component kit gas lense ABITIG® 18 SC			
w/o. fig.	Component kit for electrode gas lens WE-Ø 1.6		712.6191	2005
w/o. fig.	Component kit for electrode gas lens WE-Ø 2.4		712.6192	2005
w/o. fig.	Component kit for electrode HL gas lens WE-Ø 3.2		712.6193	2005
w/o. fig.	Component kit for electrode HL gas lens WE-Ø 4.0		712.6194	2005
w/o. fig.	Component kit for electrode HL gas lens WE-Ø 4.8		712.6195	2005
	Component kit ABITIG® 150 / 260 W			
w/o. fig.	Component kit standard for electrode WE-Ø 1.0		777.0181	2550
w/o. fig.	Component kit standard for electrode WE-Ø 1.6		777.0182	2550
w/o. fig.	Component kit standard for electrode WE-Ø 2.0		777.0187	2550
w/o. fig.	Component kit standard for electrode WE-Ø 2.4		777.0183	2550
w/o. fig.	Component kit standard for electrode WE-Ø 3.2		777.0184	2550
	Component kit gas diffusor ABITIG® 150 / 260 W			
w/o. fig.	Component kit gas diffusor for electrode WE-Ø 1.0		777.0191	2550
w/o. fig.	Component kit gas diffusor for electrode WE-Ø 1.6		777.0192	2550
w/o. fig.	Component kit gas diffusor for electrode WE-Ø 2.0		777.0197	2550
w/o. fig.	Component kit gas diffusor for electrode WE-Ø 2.4		777.0193	2550
w/o. fig.	Component kit gas diffusor for electrode WE-Ø 3.2		777.0194	2550
	Component kit ABITIG® 200 / 450 W / 450 W SC			
w/o. fig.	Component kit standard for electrode WE-Ø 1.6		774.0182	2550
w/o. fig.	Component kit standard for electrode WE-Ø 2.0		774.0187	2550
w/o. fig.	Component kit standard for electrode WE-Ø 2.4		774.0183	2550



Handle and control modules **BIS**

“ABITIG® – the intelligent handle system for increased comfort”

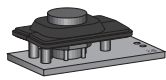
- Light weight, rugged material and construction
- Optionally with different control elements for nearly all TIG welding power sources
- Enclosed switching elements for high electrical and mechanical duty
- Excellent high frequency protection
- For right and left handers
- With ball joint
- Reliable cable connection with minimized risk of tearing



Handle and control modules

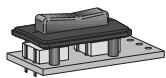
Handle ABITIG®

1.1



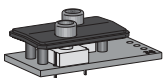
BIS-01

1.2



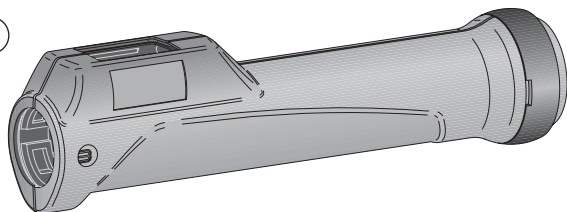
BIS-02

1.3



BIS-12

1



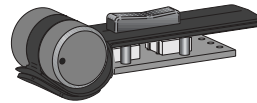
Accessories

3



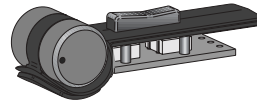
Handle ABITIG® SH

2.1



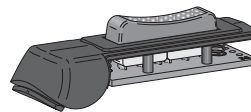
BIS-04
BIS-14
BIS-24
BIS-34
BIS-44

2.2



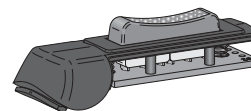
BIS-09

2.3



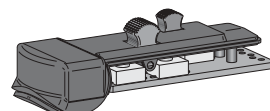
BIS-10

2.4



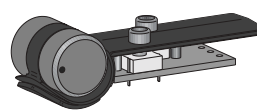
BIS-11

2.5



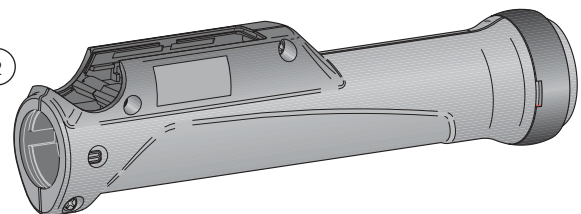
BIS-15

2.6

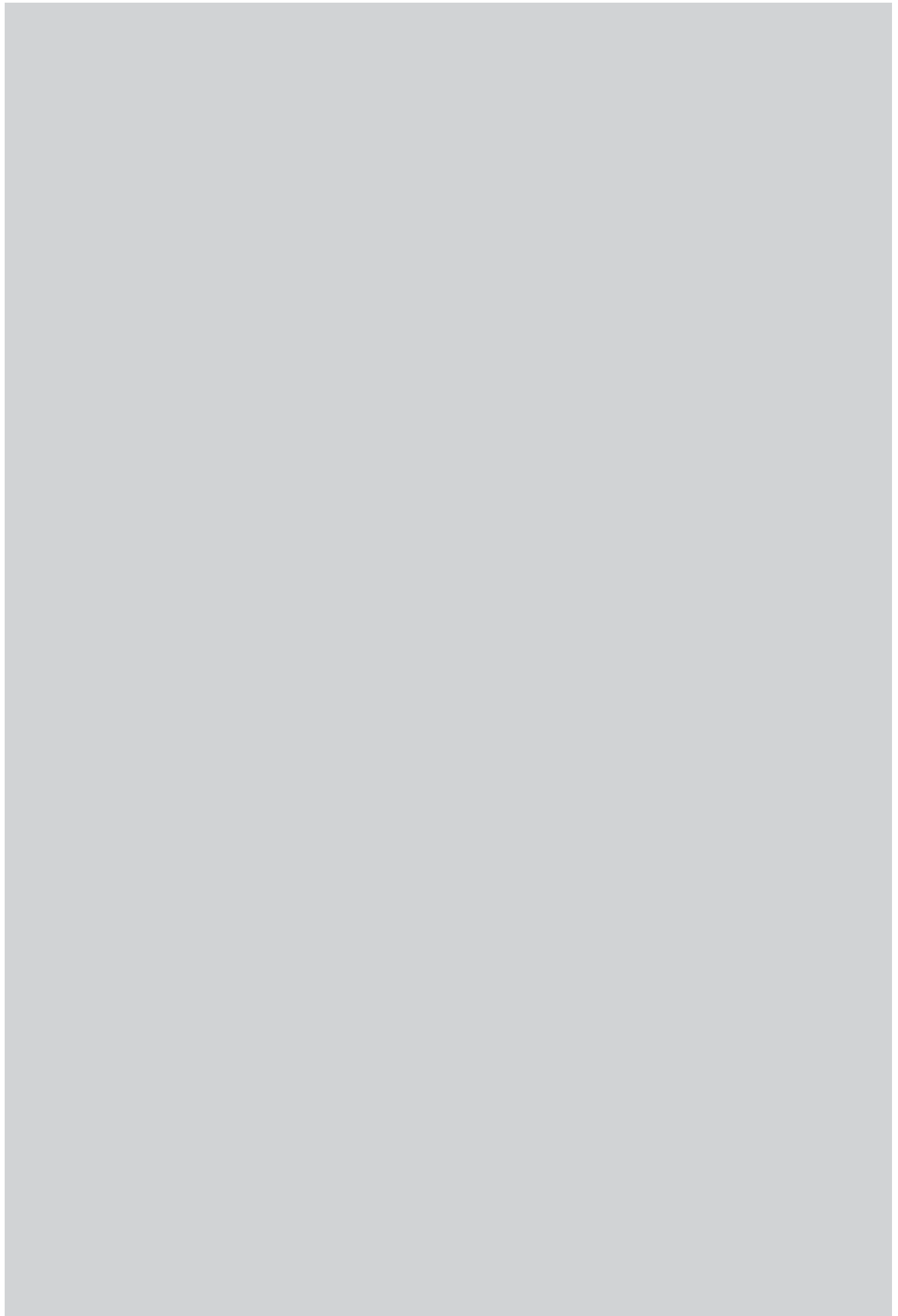


BIS-22
BIS-32
BIS-42
BIS-52
BIS-22

2



Notes

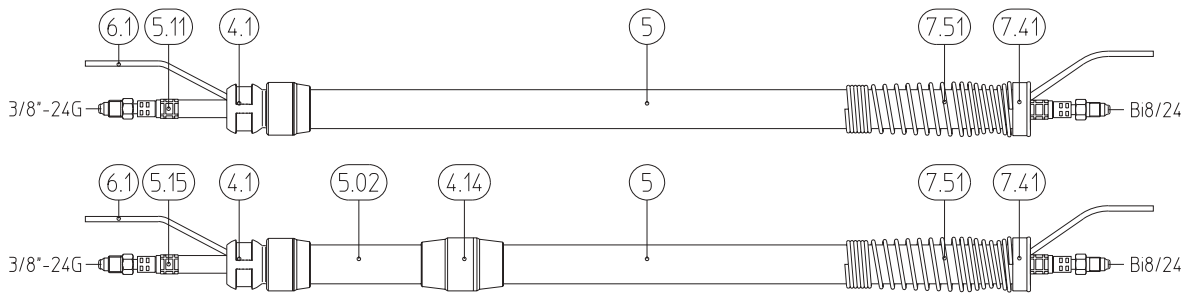


A close-up photograph of a cable assembly. The cable has a braided shield and a threaded section with a perforated cooling jacket. The background is a dark blue gradient with a blurred pattern of overlapping circles.

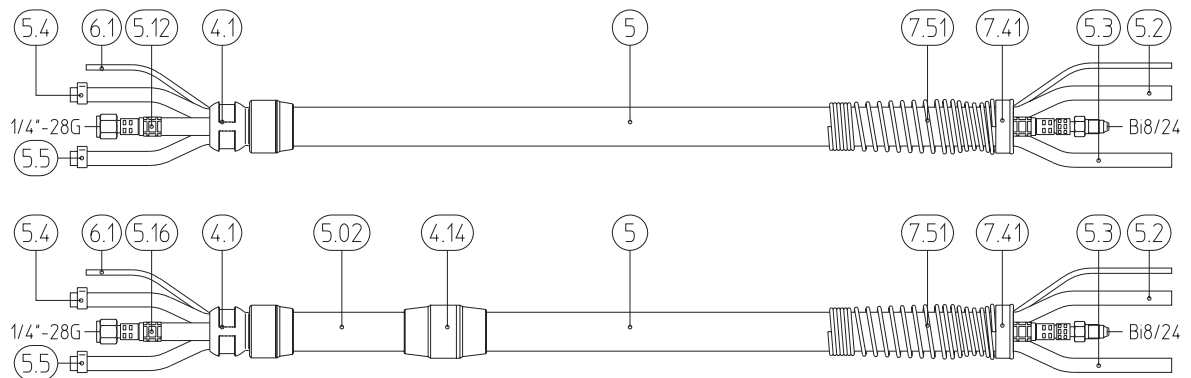
Cable assembly
components **BHS** for
manual welding torches
ABITIG®
air- and liquid-cooled

Cable assembly components

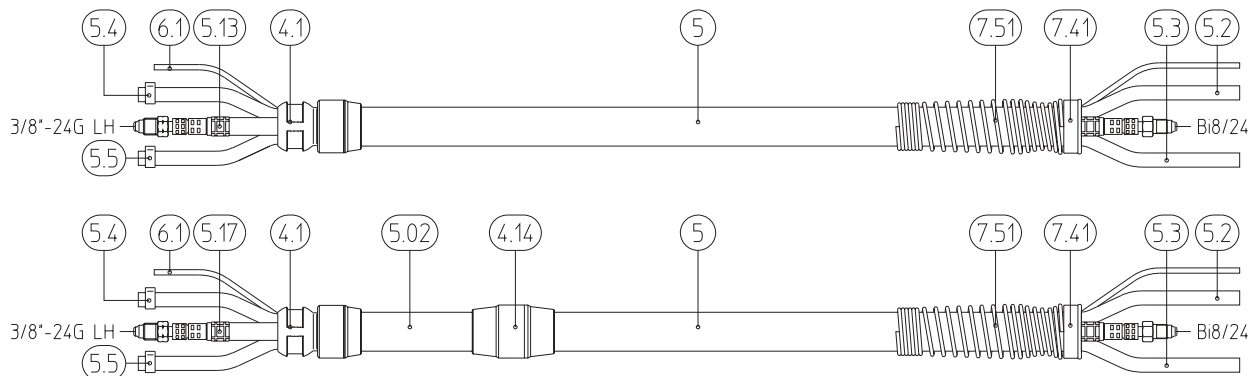
ABITIG® 9 / 17 / 24 G / 26



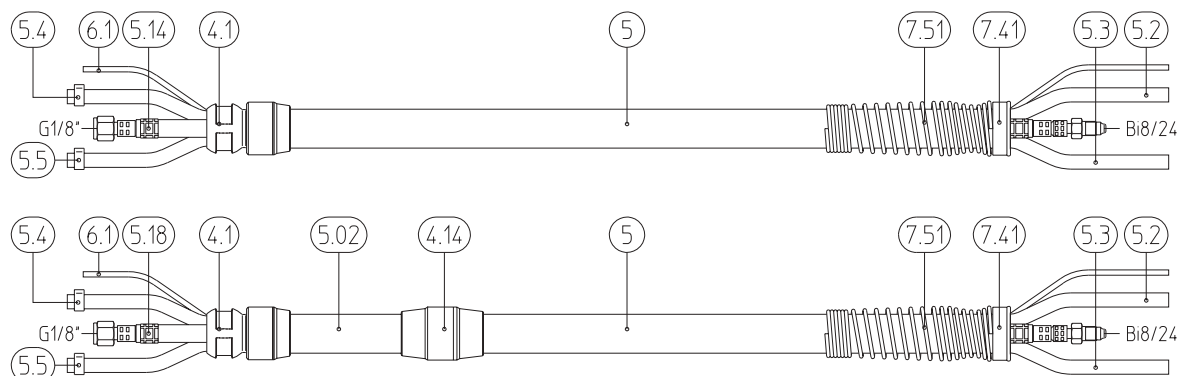
ABITIG® 20 / 24 W



ABITIG® 18 / 18 SC

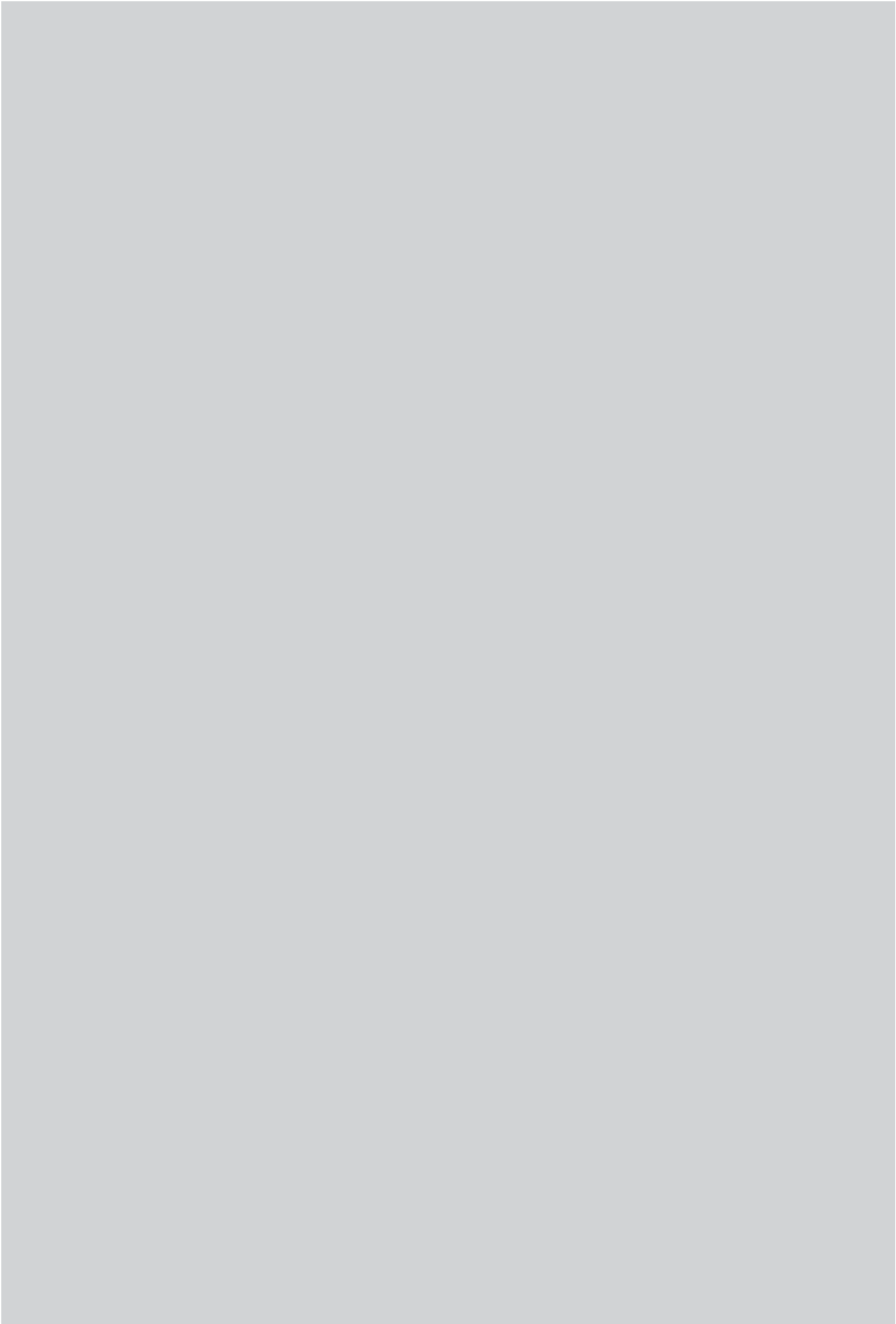


ABITIG® 12-1

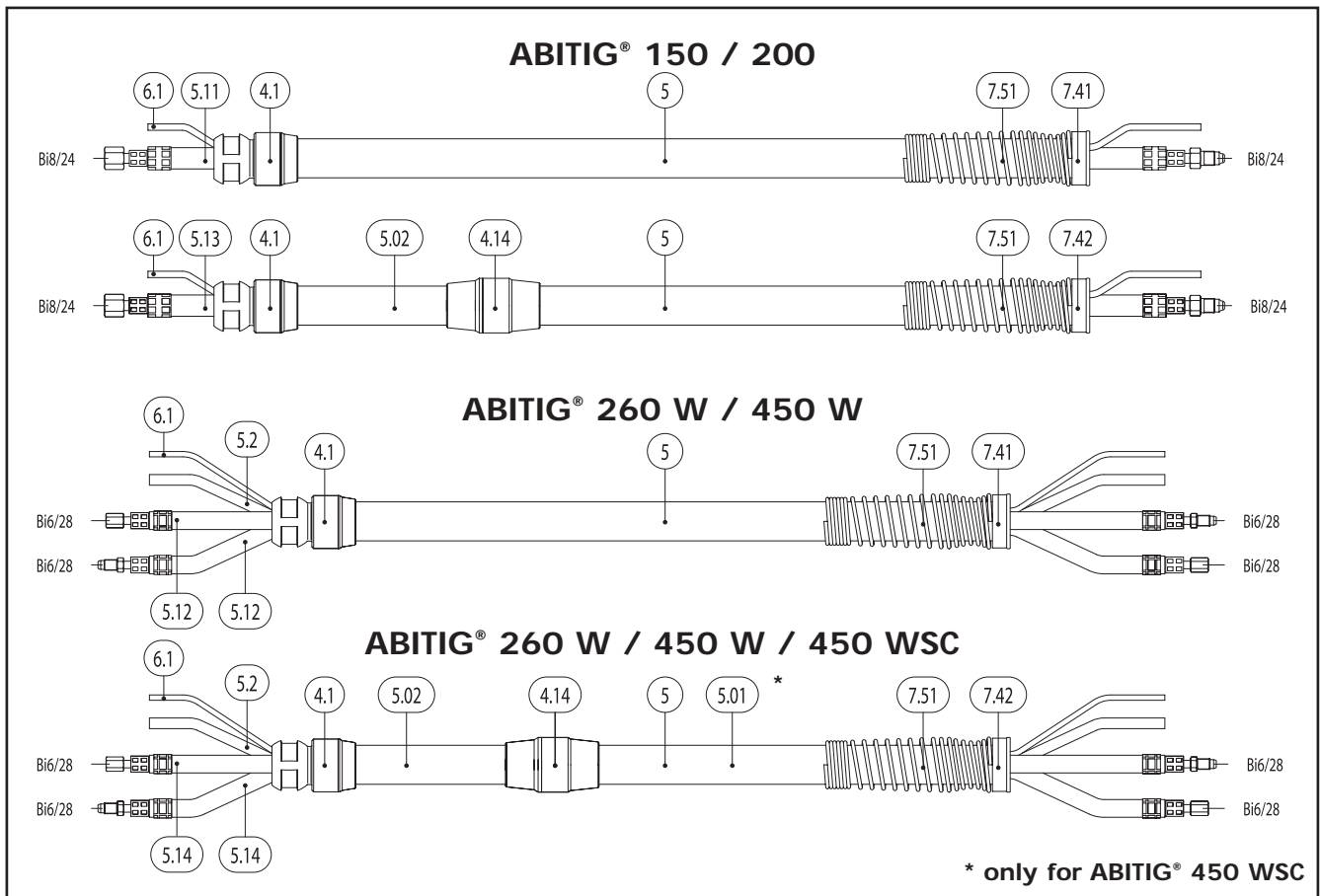


Cable assembly components

Pos.	Description	Units	Part-No.	Product-group
	Ball joint and outer hose			
4.1	Ball and socket joint complete for handle ABITIG® and handle ABITIG® SH		400.0991	2005
4.14	Hose coupling cpl.		400.0391	2005
4.14	Hose coupling BS		400.0377	2005
4.14	Strain relief		400.0351	2005
4.14	Hose coupling MS		400.0378	2005
	Outer hose and leather hose			
5	Outer cover rubber Ø 20x1.5	80 m	105.0005	4050
5.02	Leather hose High Flex Ø 23x1 (0.8 m)		108.0028	2005
	Power cable standard			
5.11	Power cable (ABITIG® 9, ABITIG® 17, ABITIG® 24 G) for 4.00 m		150.0084	2005
5.11	Power cable (ABITIG® 9, ABITIG® 17, ABITIG® 24 G) for 8.00 m		150.0085	2005
5.11	Power cable (ABITIG® 9, ABITIG® 17, ABITIG® 24 G) for 12.00 m		150.0086	2005
5.11	Power cable (ABITIG® 26) for 4.00 m		150.0087	2005
5.11	Power cable (ABITIG® 26) for 8.00 m		150.0088	2005
5.11	Power cable (ABITIG® 26) for 12.00 m		150.0089	2005
5.12	Power cable (ABITIG® 20, ABITIG® 24 W) for 4.00 m		150.0015	2005
5.12	Power cable (ABITIG® 20, ABITIG® 24 W) for 8.00 m		150.0016	2005
5.12	Power cable (ABITIG® 20, ABITIG® 24 W) for 12.00 m		150.0017	2005
5.13	Power cable (ABITIG® 18, ABITIG® 18 SC) for 4.00 m		150.0018	2005
5.13	Power cable (ABITIG® 18, ABITIG® 18 SC) for 8.00 m		150.0019	2005
5.13	Power cable (ABITIG® 18, ABITIG® 18 SC) for 12.00 m		150.0020	2005
5.14	Power cable (ABITIG® 12-1) for 4.00 m		150.0074	2005
5.14	Power cable (ABITIG® 12-1) for 8.00 m		150.0075	2005
5.14	Power cable (ABITIG® 12-1) for 12.00 m		150.0076	2005
5.15	Power cable High Flex (ABITIG® 9) for 4.00 m		150.0056	2005
5.15	Power cable High Flex (ABITIG® 9) for 8.00 m		150.0057	2005
5.15	Power cable High Flex (ABITIG® 9) for 12.00 m		150.0058	2005
5.15	Power cable High Flex (ABITIG® 17, ABITIG® 24 G) for 4.00 m		150.0065	2005
5.15	Power cable High Flex (ABITIG® 17, ABITIG® 24 G) for 8.00 m		150.0066	2005
5.15	Power cable High Flex (ABITIG® 17, ABITIG® 24 G) for 12.00 m		150.0067	2005
5.15	Power cable High Flex (ABITIG® 26) for 4.00 m		150.0059	2005
5.15	Power cable High Flex (ABITIG® 26) for 8.00 m		150.0060	2005
5.15	Power cable High Flex (ABITIG® 26) for 12.00 m		150.0061	2005
5.16	Power cable High Flex (ABITIG® 20, ABITIG® 24 W) for 4.00 m		150.0062	2005
5.16	Power cable High Flex (ABITIG® 20, ABITIG® 24 W) for 8.00 m		150.0063	2005
5.16	Power cable High Flex (ABITIG® 20, ABITIG® 24 W) for 12.00 m		150.0064	2005
5.17	Power cable High Flex (ABITIG® 18, ABITIG® 18 SC) for 4.00 m		150.0068	2005
5.17	Power cable High Flex (ABITIG® 18, ABITIG® 18 SC) for 8.00 m		150.0069	2005
5.17	Power cable High Flex (ABITIG® 18, ABITIG® 18 SC) for 12.00 m		150.0070	2005
5.18	Power cable High Flex (ABITIG® 12-1) for 4.00 m		150.0071	2005
5.18	Power cable High Flex (ABITIG® 12-1) for 8.00 m		150.0072	2005
5.18	Power cable High Flex (ABITIG® 12-1) for 12.00 m		150.0073	2005
	Gas hose, water hose, hose clamps and marking washer			
5.2	Hose Ø 3x1.5	100 m	102.0124	4050
5.3	Hose Ø 3.9x1.5	100 m	109.0011	4050
5.4	Hose clamp Ø 8.2 mm with ring (mark 8.7)	20 Pcs.	173.0005	9010
w/o. fig.	Code colour ring red	20 Pcs.	501.2166	9010
w/o. fig.	Code colour ring blue	20 Pcs.	501.2167	9010
5.5	Hose clamp Ø 7.5 mm with ring (mark 8.0)	20 Pcs.	173.0007	9010
	Control cable			
6.1	Control cable 3-pole	100 m	100.0100	4050
6.1	Control cable 6-pole	100 m	100.0112	4050
6.1	Control cable 7-pole; protected	100 m	100.0028	4050

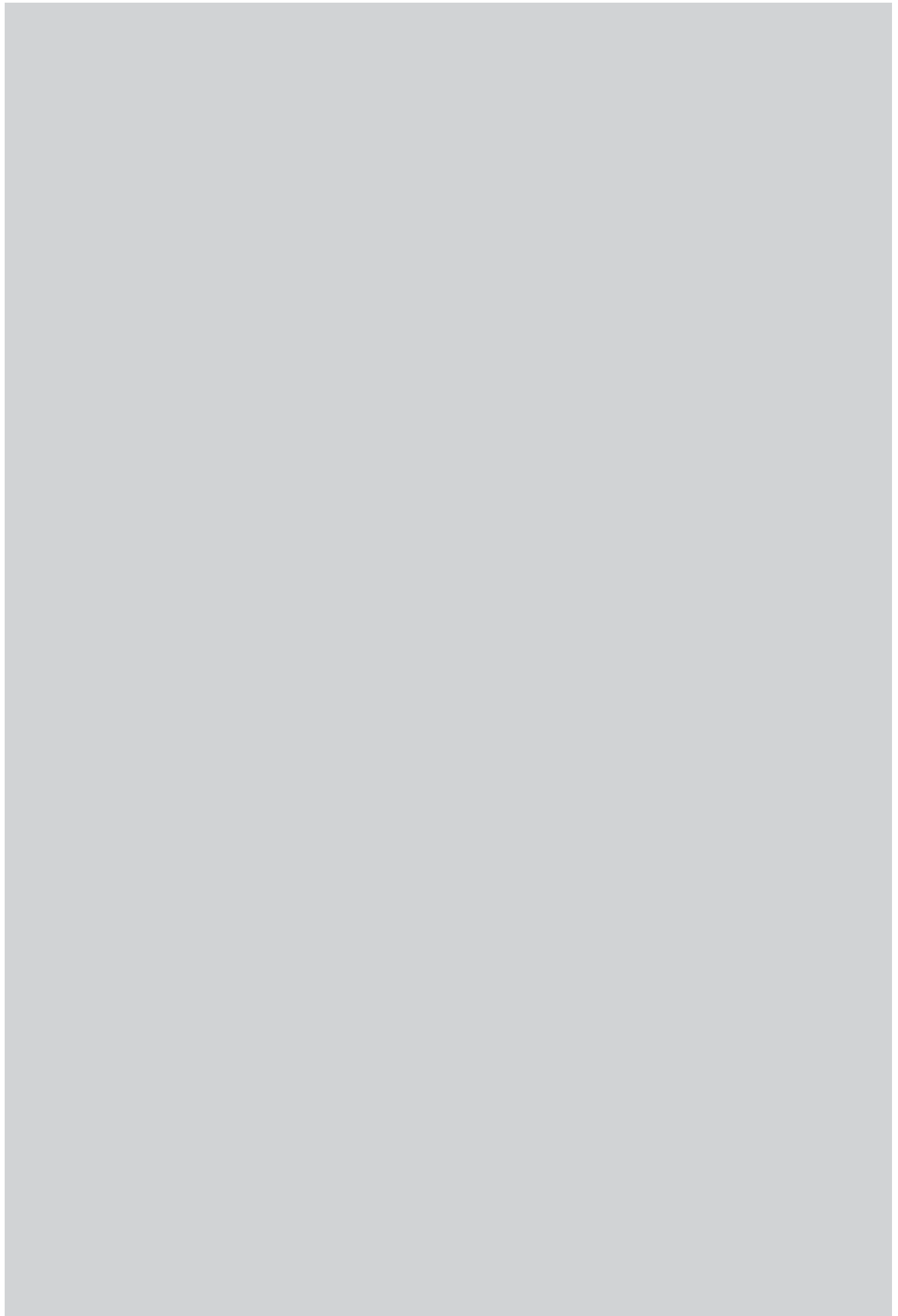


Cable assembly components



Pos.	Description	Units	Part-No.	Product-group
Ball joint and outer hose				
4.1	Ball and socket joint complete for handle ABITIG® and handle ABITIG® SH		400.0991	2005
4.14	Hose coupling cpl.		400.0391	2005
4.14	Hose coupling BS		400.0377	2005
4.14	Strain relief		400.0351	2005
4.14	Hose coupling MS		400.0378	2005
Outer hose and leather hose				
5	Outer cover rubber Ø 20x1.5	80 m	105.0005	4050
5.01	Outer cover rubber Ø 25x1.5	40 m	105.0019	4050
5.02	Leather hose High Flex Ø 23x1 (0.8 m)		108.0028	2005
Power cable standard				
5.11	Power cable (ABITIG® 150) for 4.00 m		150.0111	2555
5.11	Power cable (ABITIG® 150) for 8.00 m		150.0112	2555
5.11	Power cable (ABITIG® 150) for 12.00 m		150.0113	2555
5.11	Power cable (ABITIG® 200) for 4.00 m		150.0170	2555
5.11	Power cable (ABITIG® 200) for 8.00 m		150.0171	2555
5.11	Power cable (ABITIG® 200) for 12.00 m		150.0172	2555
5.12	Power cable (ABITIG® 260 W) for 4.00 m		150.0099	2555
5.12	Power cable (ABITIG® 260 W) for 8.00 m		150.0100	2555
5.12	Power cable (ABITIG® 260 W) for 12.00 m		150.0101	2555
5.12	Power cable (ABITIG® 450 W) for 4.00 m		150.0054	2555
5.12	Power cable (ABITIG® 450 W) for 8.00 m		150.0055	2555
5.12	Power cable (ABITIG® 450 W) for 12.00 m		150.0083	2555
5.12	Power cable (ABITIG® 450 W SC) for 4.00 m		150.0205	2555
5.12	Power cable (ABITIG® 450 W SC) for 8.00 m		150.0206	2555
5.12	Power cable (ABITIG® 450 W SC) for 12.00 m		150.0207	2555
5.13	Power cable High Flex (ABITIG® 150) for 4.00 m		150.0040	2555
5.13	Power cable High Flex (ABITIG® 150) for 8.00 m		150.0041	2555

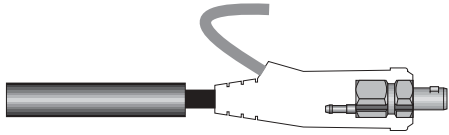
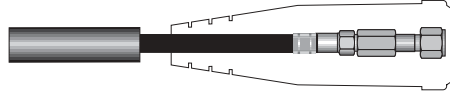
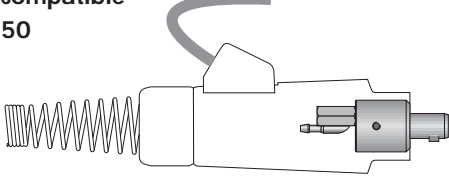
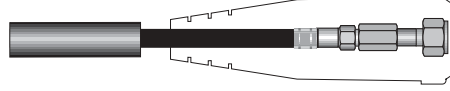
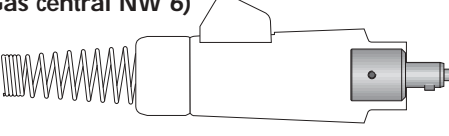

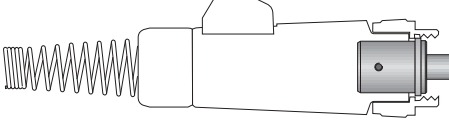

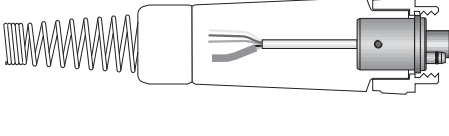
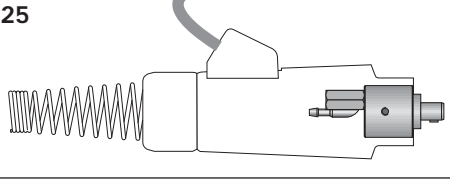
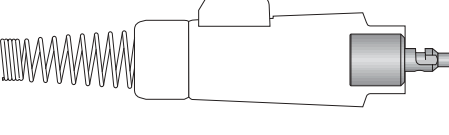
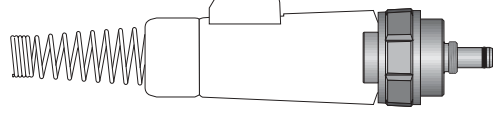
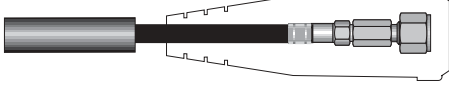
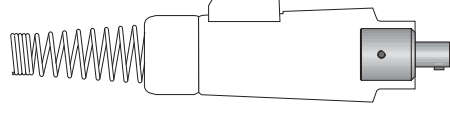
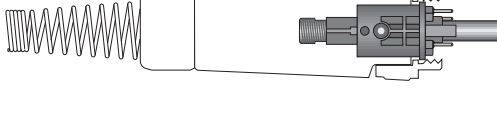
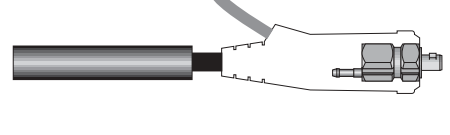

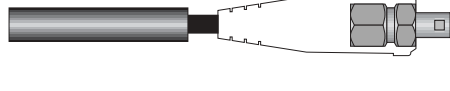
Notes



Connecting module **BCS**
for all common TIG-
welding power sources
Single- and central-
connection,
air- or liquid-cooled

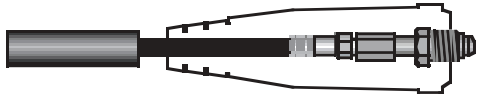


Connecting modules for ABITIG® (air-cooled)

<p>BCS-00 compatible BSB 35-50</p>  <p>①</p>	<p>BCS-09 compatible G1/8"</p>  <p>⑩</p>
<p>BCS-01 compatible BSB 35-50</p>  <p>②</p>	<p>BCS-11 compatible G1/4"</p>  <p>⑪</p>
<p>BCS-02 compatible Lorch (Gas central NW 6)</p>  <p>③</p>	<p>BCS-14 compatible 7/8"-18UNF</p>  <p>⑫</p>
<p>BCS-03 compatible GZ</p>  <p>④</p>	<p>BCS-15 compatible 9/16"-18UNF</p>  <p>⑬</p>
<p>BCS-04 compatible WTG-5</p>  <p>⑤</p>	<p>BCS-17 compatible BSB 10-25</p>  <p>⑭</p>
<p>BCS-05 compatible Cloos</p>  <p>⑥</p>	<p>BCS-18 compatible Oerlikon</p>  <p>⑮</p>
<p>BCS-06 compatible G3/8"</p>  <p>⑦</p>	<p>BCS-20 compatible Dalex (Gas central NW 6)</p>  <p>⑯</p>
<p>BCS-07 compatible ZA 9-pole</p>  <p>⑧</p>	<p>BCS-22 compatible BSB 10-25</p>  <p>⑰</p>
<p>BCS-08 compatible M12x1</p>  <p>⑨</p>	<p>BCS-23 compatible Lorch (Gas central NW 6)</p>  <p>⑱</p>

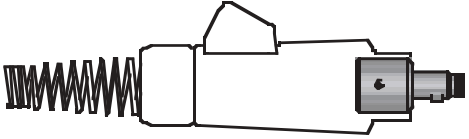
Connecting modules for ABITIG® (air-cooled)

BCS-24 compatible 5/8"-18UNF



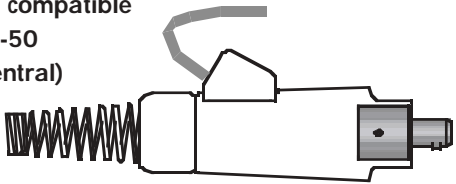
(19)

BCS-25 compatible Oerlikon (Gas central NW 12)



(20)

BCS-26 compatible
BSB 35-50
(Gas central)



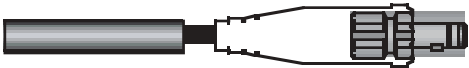
(21)

BCS-27 compatible BSB 10-25



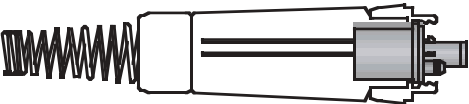
(22)

BCS-33 compatible SAF (Gas central NW 12.2)



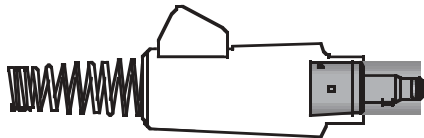
(23)

BCS-34 compatible Merkle and Stell



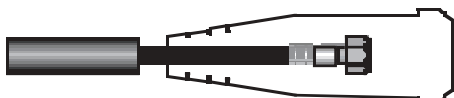
(24)

BCS-36 compatible Fronius (Gas central NW 10.4)



(25)

BCS-81 compatible Esseti



(26)

Connecting modules for ABITIG® (air-cooled)

Pos.	Description	Units	Part-No.	Product-group
	BCS-00 compatible BSB 35-50			
1	BCS-00 connecting module		771.0521	2005
1	Rubber sleeve		500.0272	9010
1	Hose Ø 3x1.5	100 m	102.0124	4050
1	Hose clamp Ø 6.5 mm with ring (mark 7.0)	20 Pcs.	173.0009	9010
	BCS-01 compatible BSB 35-50			
2	BCS-01 connecting module		770.0518	2005
2	Cable support housing		500.0218	9010
2	Cable support cover		500.0230	9010
2	Strain relief		500.0252	9010
2	Hose passage 1		500.0210	9010
2	Lock ring ND 31		400.0297	9010
2	Cable support spring		500.0226	9010
2	Pan head screw M4x6	20 Pcs.	000.0552	9010
2	Screw cap 2	20 Pcs.	500.0362	9010
2	Hose Ø 3x1.5	100 m	102.0124	4050
2	Hose clamp Ø 6.5 mm with ring (mark 7.0)	20 Pcs.	173.0009	9010
	BCS-02 compatible Lorch (Gas central NW 6)			
3	BCS-02 connecting module		770.0516	2005
3	Cable support housing		500.0218	9010
3	Cable support cover		500.0230	9010
3	Strain relief		500.0252	9010
3	Hose passage 1		500.0210	9010
3	Lock ring ND 31		400.0297	9010
3	Cable support spring		500.0226	9010
3	Pan head screw M4x6	20 Pcs.	000.0552	9010
3	Screw cap 2	20 Pcs.	500.0362	9010
	BCS-03 compatible GZ			
4	BCS-03 connecting module		770.0581	2005
4	Cable support housing		500.0218	9010
4	Cable support cover		500.0230	9010
4	Strain relief		500.0252	9010
4	Hose passage 1		500.0210	9010
4	Lock ring ND 31		400.0297	9010
4	Cable support spring		500.0226	9010
4	Pan head screw M4x6	20 Pcs.	000.0552	9010
4	Screw cap 1	20 Pcs.	500.0251	9010
4	Adaptor nut		500.0213	9010
	BCS-04 compatible WTG-5			
5	BCS-04 connecting module		770.0551	2005
5	Cable support housing		500.0216	9010
5	Cable support cover		500.0217	9010
5	Strain relief		500.0252	9010
5	Lock ring ND 31		400.0297	9010
5	Cable support spring		500.0226	9010
5	Pan head screw M4x6	20 Pcs.	000.0552	9010
5	Screw cap 1	20 Pcs.	500.0251	9010
5	Adaptor nut		500.0213	9010
	BCS-05 compatible Cloos			
6	BCS-05 connecting module		770.0562	2005
6	Cable support housing		500.0218	9010
6	Cable support cover		500.0230	9010
6	Strain relief		500.0252	9010
6	Hose passage 1		500.0210	9010
6	Lock ring ND 31		400.0297	9010
6	Cable support spring		500.0226	9010

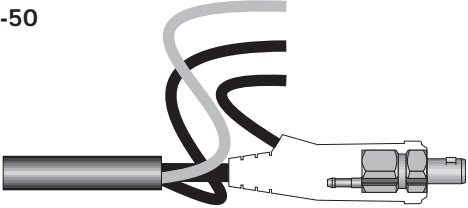
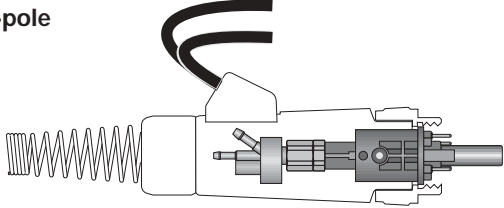
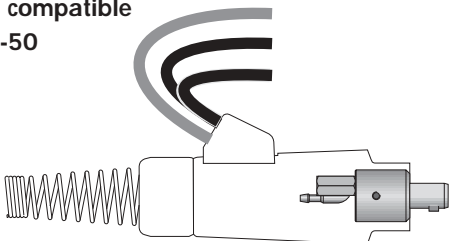
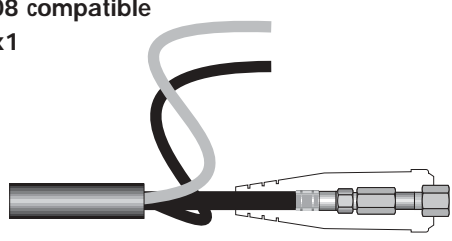
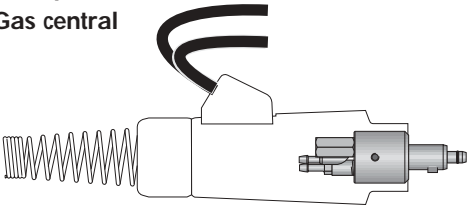
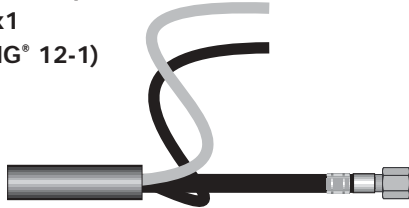
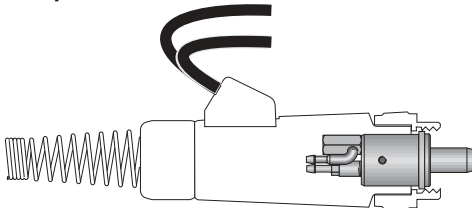
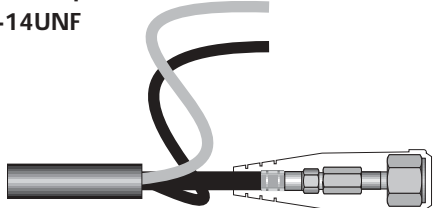
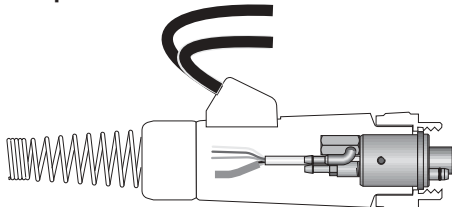
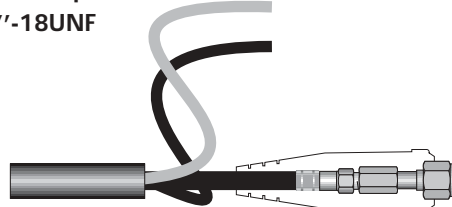
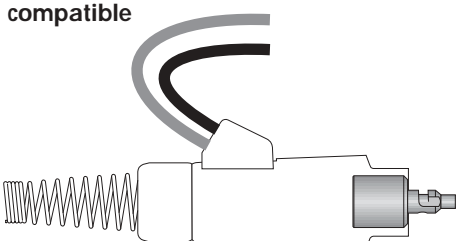
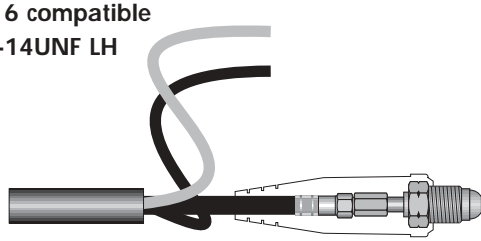
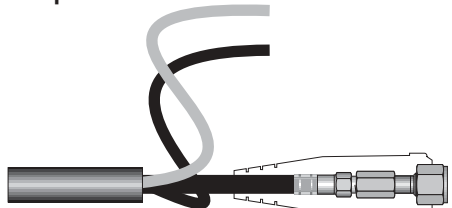
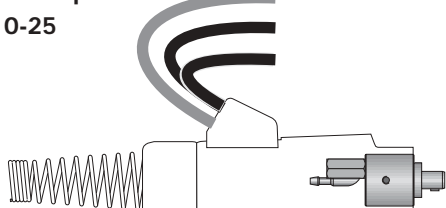
Connecting modules for ABITIG® (air-cooled)

Pos.	Description	Units	Part-No.	Product-group
6	Pan head screw M4x6	20 Pcs.	000.0552	9010
6	Screw cap 2	20 Pcs.	500.0362	9010
	BCS-06 compatible G3/8"			
7	BCS-06 connecting module		770.0573	2005
7	Rubber sleeve		500.0300	4001
	BCS-07 compatible ZA 9-pole			
8	BCS-07 connecting module		771.0509	2005
8	Distance ring		771.0502	9010
8	Cable support housing		500.0216	9010
8	Cable support cover		500.0217	9010
8	Strain relief		500.0252	9010
8	Lock ring ND 31		400.0297	9010
8	Cable support spring		500.0226	9010
8	Pan head screw M4x6	20 Pcs.	000.0552	9010
8	Screw cap 2	20 Pcs.	500.0362	9010
8	Adaptor nut		501.0127	9010
	BCS-08 compatible M12x1			
9	BCS-08 connecting module		771.0572	2005
9	Rubber sleeve		500.0300	4001
	BCS-08 compatible G1/8"			
10	BCS-09 connecting module		771.0563	2005
10	Rubber sleeve		500.0300	4001
	BCS-11 compatible G1/4"			
11	BCS-11 connecting module		771.0562	2005
11	Rubber sleeve		500.0300	4001
	BCS-14 compatible 7/8"-18UNF			
12	BCS-14 connecting module		771.0573	2005
12	Rubber sleeve		500.0300	4001
	BCS-15 compatible 9/16"-18UNF			
13	BCS-15 connecting module		771.0574	2005
13	Rubber sleeve		500.0300	4001
	BCS-17 compatible BSB 10-25			
14	BCS-17 connecting module		772.0581	2005
14	Cable support housing		500.0218	9010
14	Cable support cover		500.0230	9010
14	Strain relief		500.0252	9010
14	Hose passage 1		500.0210	9010
14	Lock ring ND 31		400.0297	9010
14	Cable support spring		500.0226	9010
14	Pan head screw M4x6	20 Pcs.	000.0552	9010
14	Screw cap 2	20 Pcs.	500.0362	9010
14	Hose Ø 3x1.5	100 m	102.0124	4050
14	Hose clamp Ø 6.5 mm with ring (mark 7.0)	20 Pcs.	173.0009	9010
	BCS-18 compatible Oerlikon			
15	BCS-18 connecting module		773.0501	2005
15	Cable support housing		500.0218	9010
15	Cable support cover		500.0230	9010
15	Strain relief		500.0252	9010
15	Hose passage 1		500.0210	9010
15	Lock ring ND 31		400.0297	9010
15	Cable support spring		500.0226	9010
15	Pan head screw M4x6	20 Pcs.	000.0552	9010
15	Screw cap 1	20 Pcs.	500.0251	9010
	BCS-20 compatible Dalex (Gas central NW 6)			
16	BCS-20 connecting module		770.0522	2005
16	Cable support housing		500.0218	9010

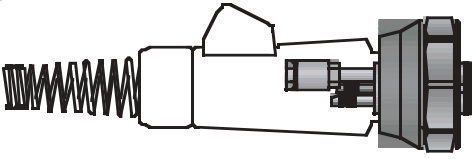
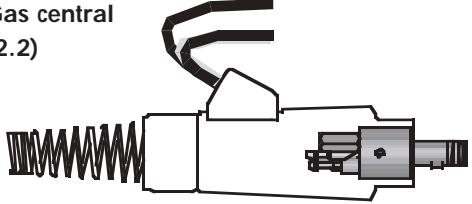
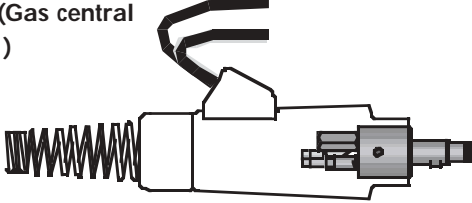
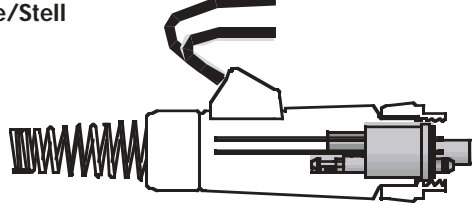
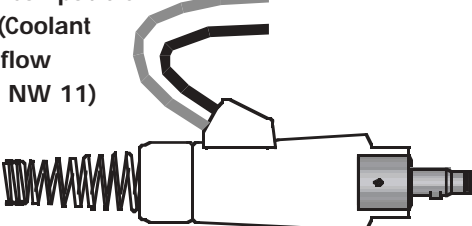
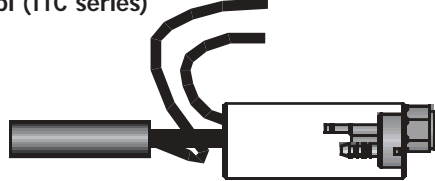
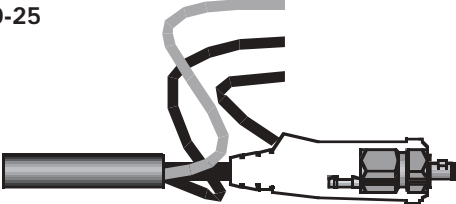
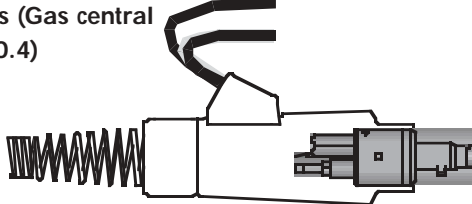
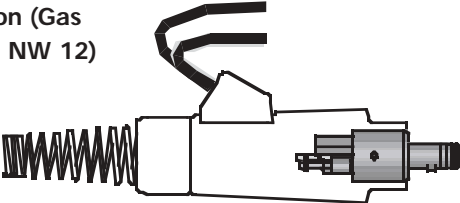
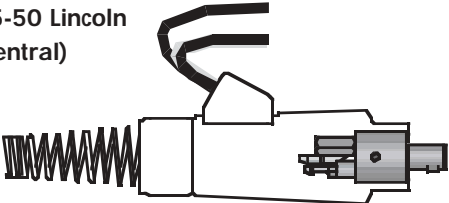
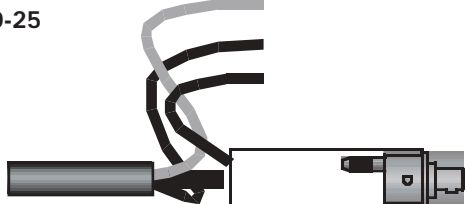
Connecting modules for ABITIG® (air-cooled)

Pos.	Description	Units	Part-No.	Product-group
16	Cable support cover		500.0230	9010
16	Strain relief		500.0252	9010
16	Hose passage 1		500.0210	9010
16	Lock ring ND 31		400.0297	9010
16	Cable support spring		500.0226	9010
16	Pan head screw M4x6	20 Pcs.	000.0552	9010
16	Screw cap 2	20 Pcs.	500.0362	9010
	BCS-22 compatible BSB 10-25			
17	BCS-22 connecting module		771.0525	2005
17	Rubber sleeve		500.0272	9010
17	Hose Ø 3x1.5	100 m	102.0124	4050
17	Hose clamp Ø 6.5 mm with ring (mark 7.0)	20 Pcs.	173.0009	9010
	BCS-23 compatible Lorch (Gas central NW 6)			
18	BCS-23 connecting module		770.0591	2005
18	Rubber sleeve		500.0271	9010
	BCS-24 compatible 5/8"-18UNF			
19	BCS-24 connecting module		771.0575	2005
19	Rubber sleeve		500.0300	4001
	BCS-25 compatible Oerlikon (Gas central NW 12)			
20	BCS-25 connecting module		773.0551	2005
20	Cable support housing		500.0218	9010
20	Cable support cover		500.0230	9010
20	Strain relief		500.0252	9010
20	Hose passage 1		500.0210	9010
20	Lock ring ND 31		400.0297	9010
20	Cable support spring		500.0226	9010
20	Pan head screw M4x6	20 Pcs.	000.0552	9010
20	Screw cap 2	20 Pcs.	500.0362	9010
	BCS-26 compatible BSB 35-50 (Gas central)			
21	BCS-26 connecting module		770.0503	2005
21	Cable support housing		500.0218	9010
21	Cable support cover		500.0230	9010
21	Strain relief		500.0252	9010
21	Hose passage 1		500.0210	9010
21	Lock ring ND 31		400.0297	9010
21	Cable support spring		500.0226	9010
21	Pan head screw M4x6	20 Pcs.	000.0552	9010
21	Screw cap 2	20 Pcs.	500.0362	9010
	BCS-27 compatible BSB 10-25			
22	BCS-27 connecting module		770.0558	2005
22	Cable support machine side		770.0560	2005
22	Rounded countersunk head screw M4x6	20 Pcs.	009.0201	9010
22	Hose Ø 3.9x1.5	100 m	109.0011	4050
22	Hose clamp Ø 8.2 mm with ring (mark 8.7)	20 Pcs.	173.0005	9010
22	Hose clamp Ø 7.5 mm with ring (mark 8.0)	20 Pcs.	173.0007	9010
	BCS-33 compatible SAF (Gas central NW 12.2)			
23	BCS-33 connecting module		773.0556	2005
23	Rubber sleeve		500.0271	9010
	BCS-34 compatible Merkle and Stell			
24	BCS-34 connecting module		770.0576	2005
24	Cable support housing		500.0216	9010
24	Cable support cover		500.0217	9010
24	Strain relief		500.0252	9010
24	Lock ring ND 31		400.0297	9010
24	Cable support spring		500.0226	9010
24	Pan head screw M4x6	20 Pcs.	000.0552	9010

Connecting modules for ABITIG® 12-1 / 18 / 18 SC / 20 / 24 W

<p>BCS-00 compatible BSB 35-50</p>  <p>①</p>	<p>BCS-07 compatible ZA 9-pole</p>  <p>⑧</p>
<p>BCS-01 compatible BSB 35-50</p>  <p>②</p>	<p>BCS-08 compatible M12x1</p>  <p>⑨</p>
<p>BCS-02 compatible Lorch (Gas central NW 6)</p>  <p>③</p>	<p>BCS-10 compatible M12x1 (ABITIG® 12-1)</p>  <p>⑩</p>
<p>BCS-03 compatible WZ-0</p>  <p>④</p>	<p>BCS-12 compatible 7/8"-14UNF</p>  <p>⑪</p>
<p>BCS-04 compatible WTW-5</p>  <p>⑤</p>	<p>BCS-15 compatible 9/16"-18UNF</p>  <p>⑫</p>
<p>BCS-05 compatible Cloos</p>  <p>⑥</p>	<p>BCS-16 compatible 7/8"-14UNF LH</p>  <p>⑬</p>
<p>BCS-06 compatible G3/8"</p>  <p>⑦</p>	<p>BCS-17 compatible BSB 10-25</p>  <p>⑭</p>

Connecting modules for ABITIG® 12-1 / 18 / 18 SC / 20 / 24 W

<p>BCS-19 compatible Oerlikon</p>  <p style="text-align: right;">(15)</p>	<p>BCS-33 compatible SAF (Gas central NW 12.2)</p>  <p style="text-align: right;">(22)</p>
<p>BCS-20 compatible Dalex (Gas central NW 11)</p>  <p style="text-align: right;">(16)</p>	<p>BCS-34 compatible Merkle/Stell</p>  <p style="text-align: right;">(23)</p>
<p>BCS-21 compatible Dalex (Coolant return flow central NW 11)</p>  <p style="text-align: right;">(17)</p>	<p>BCS-35 compatible Kempfi (TTC series)</p>  <p style="text-align: right;">(24)</p>
<p>BCS-22 compatible BSB 10-25</p>  <p style="text-align: right;">(18)</p>	<p>BCS-36 compatible Fronius (Gas central NW 10.4)</p>  <p style="text-align: right;">(25)</p>
<p>BCS-25 compatible Oerlikon (Gas central NW 12)</p>  <p style="text-align: right;">(19)</p>	
<p>BCS-26 compatible BSB 35-50 Lincoln (Gas central)</p>  <p style="text-align: right;">(20)</p>	
<p>BCS-27 compatible BSB 10-25</p>  <p style="text-align: right;">(21)</p>	

Connecting modules for ABITIG® 12-1 / 18 / 18 SC / 20 / 24 W

Pos.	Description	Units	Part-No.	Product-group
	BCS-00 compatible BSB 35-50			
1	BCS-00 connecting module		771.0521	2005
1	Rubber sleeve		500.0272	9010
1	Hose Ø 3.9x1.5	100 m	109.0011	4050
1	Hose clamp Ø 8.2 mm with ring (mark 8.7)	20 Pcs.	173.0005	9010
	BCS-01 compatible BSB 35-50			
2	BCS-01 connecting module		770.0518	2005
2	Cable support housing		500.0218	9010
2	Cable support cover		500.0230	9010
2	Strain relief		500.0252	9010
2	Hose guide 1		500.0284	9010
2	Lock ring ND 31		400.0297	9010
2	Cable support spring		500.0226	9010
2	Pan head screw M4x6	20 Pcs.	000.0552	9010
2	Screw cap 2	20 Pcs.	500.0362	9010
2	Hose Ø 3.9x1.5	100 m	109.0011	4050
2	Hose clamp Ø 8.2 mm with ring (mark 8.7)	20 Pcs.	173.0005	9010
	BCS-02 compatible Lorch (Gas central NW 6)			
3	BCS-02 connecting module		772.0512	2005
3	Cable support housing		500.0218	9010
3	Cable support cover		500.0230	9010
3	Strain relief		500.0252	9010
3	Hose guide 1		500.0284	9010
3	Lock ring ND 31		400.0297	9010
3	Cable support spring		500.0226	9010
3	Pan head screw M4x6	20 Pcs.	000.0552	9010
3	Screw cap 2	20 Pcs.	500.0362	9010
3	Hose Ø 3.9x1.5	100 m	109.0011	4050
3	Hose clamp Ø 8.2 mm with ring (mark 8.7)	20 Pcs.	173.0005	9010
3	Hose clamp Ø 7.5 mm with ring (mark 8.0)	20 Pcs.	173.0007	9010
	BCS-03 compatible WZ-0			
4	BCS-03 connecting module		770.0583	2005
4	Cable support housing		500.0218	9010
4	Cable support cover		500.0230	9010
4	Strain relief		500.0252	9010
4	Hose guide 1		500.0284	9010
4	Lock ring ND 31		400.0297	9010
4	Cable support spring		500.0226	9010
4	Pan head screw M4x6	20 Pcs.	000.0552	9010
4	Screw cap 1	20 Pcs.	500.0251	9010
4	Adaptor nut		500.0213	9010
4	Hose Ø 3.9x1.5	100 m	109.0011	4050
4	Hose clamp Ø 8.2 mm with ring (mark 8.7)	20 Pcs.	173.0005	9010
4	Hose clamp Ø 7.5 mm with ring (mark 8.0)	20 Pcs.	173.0007	9010
	BCS-04 compatible WTW-5			
5	BCS-04 connecting module		770.0557	2005
5	Cable support housing		500.0218	9010
5	Cable support cover		500.0230	9010
5	Strain relief		500.0252	9010
5	Hose guide 1		500.0284	9010
5	Lock ring ND 31		400.0297	9010
5	Cable support spring		500.0226	9010
5	Pan head screw M4x6	20 Pcs.	000.0552	9010
5	Screw cap 1	20 Pcs.	500.0251	9010
5	Adaptor nut		500.0213	9010
5	Hose Ø 3.9x1.5	100 m	109.0011	4050

Connecting modules for ABITIG® 12-1 / 18 / 18 SC / 20 / 24 W

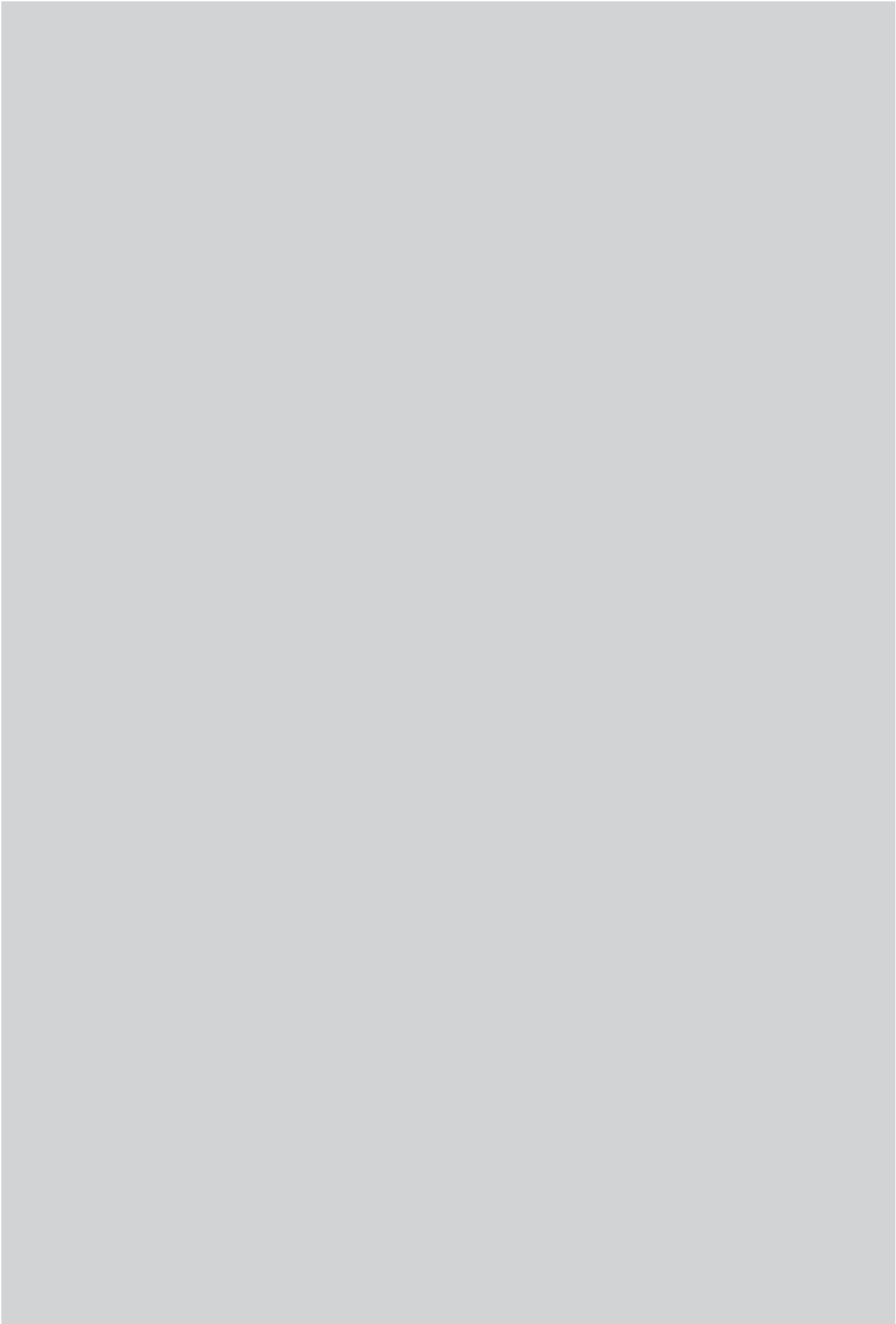
Pos.	Description	Units	Part-No.	Product-group
5	Hose clamp Ø 8.2 mm with ring (mark 8.7)	20 Pcs.	173.0005	9010
5	Hose clamp Ø 7.5 mm with ring (mark 8.0)	20 Pcs.	173.0007	9010
	BCS-05 compatible Cloos			
6	BCS-05 connecting module		770.0562	2005
6	Cable support housing		500.0218	9010
6	Cable support cover		500.0230	9010
6	Strain relief		500.0252	9010
6	Hose passage 1		500.0210	9010
6	Lock ring ND 31		400.0297	9010
6	Cable support spring		500.0226	9010
6	Pan head screw M4x6	20 Pcs.	000.0552	9010
6	Screw cap 2	20 Pcs.	500.0362	9010
	BCS-06 compatible G3/8"			
7	BCS-06 connecting module		770.0573	2005
7	Rubber sleeve		500.0300	4001
	BCS-07 compatible ZA 9-pole			
8	BCS-07 connecting module		772.0509	2005
8	Distance ring		771.0502	9010
8	Connector		772.0505	2005
8	Cable support housing		500.0218	9010
8	Cable support cover		500.0230	9010
8	Strain relief		400.0486	9010
8	Hose guide 1		500.0284	9010
8	Lock ring ND 31		400.0297	9010
8	Cable support spring		500.0226	9010
8	Pan head screw M4x6	20 Pcs.	000.0552	9010
8	Screw cap 2	20 Pcs.	500.0362	9010
8	Adaptor nut		501.0127	9010
8	Hose Ø 3.9x1.5	100 m	109.0011	4050
8	Hose clamp Ø 8.2 mm with ring (mark 8.7)	20 Pcs.	173.0005	9010
8	Hose clamp Ø 7.5 mm with ring (mark 8.0)	20 Pcs.	173.0007	9010
	BCS-08 compatible M12x1			
9	BCS-08 connecting module		771.0572	2005
9	Rubber sleeve		500.0300	4001
	BCS-10 compatible M12x1 (ABITIG® 12-1)			
10	Coupling nut M12x1	10 Pcs.	500.0110	9010
10	Nipple	10 Pcs.	749.1602	9010
	BCS-12 compatible 7/8"-14UNF			
11	BCS-12 connecting module		772.0586	2005
11	Rubber sleeve		500.0300	4001
	BCS-15 compatible 9/16"-18UNF			
12	BCS-15 connecting module		771.0574	2005
12	Rubber sleeve		500.0300	4001
	BCS-16 compatible 7/8"-14UNF LH			
13	BCS-16 connecting module		772.0587	2005
13	Rubber sleeve		500.0300	4001
	BCS-17 compatible BSB 10-25			
14	BCS-17 connecting module		772.0581	2005
14	Cable support housing		500.0218	9010
14	Cable support cover		500.0230	9010
14	Strain relief		500.0252	9010
14	Hose guide 1		500.0284	9010
14	Lock ring ND 31		400.0297	9010
14	Cable support spring		500.0226	9010
14	Pan head screw M4x6	20 Pcs.	000.0552	9010
14	Screw cap 2	20 Pcs.	500.0362	9010

Connecting modules for ABITIG® 12-1 / 18 / 18 SC / 20 / 24 W

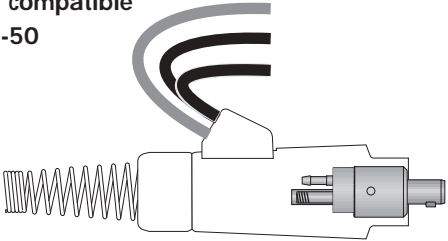
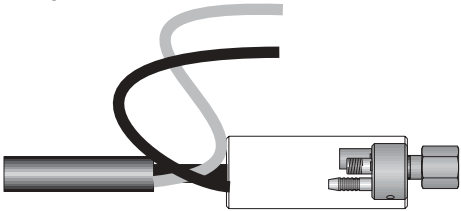
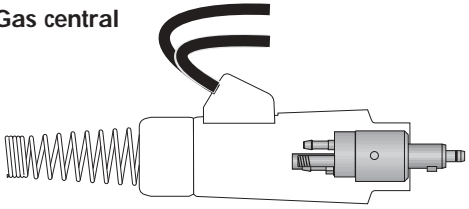
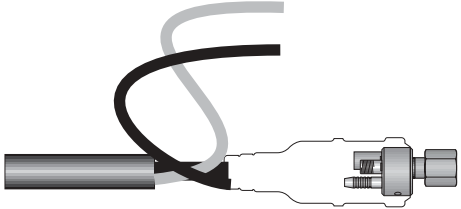
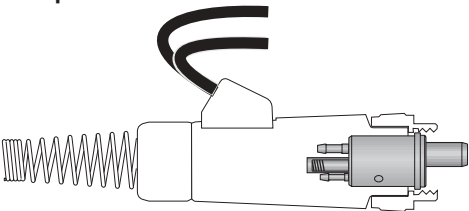
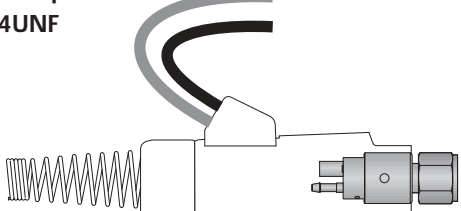
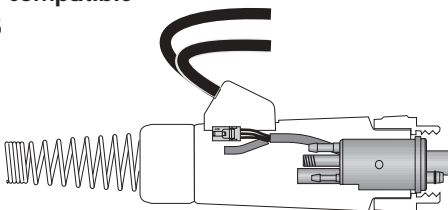
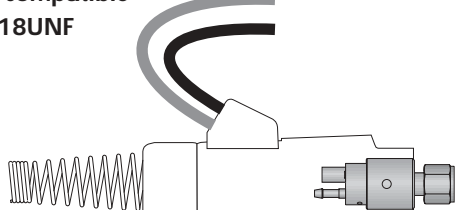
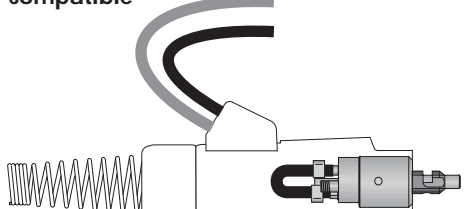
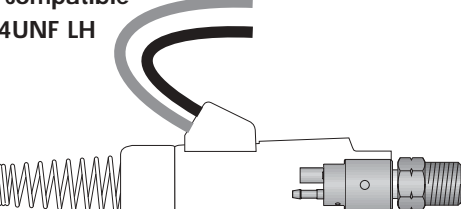
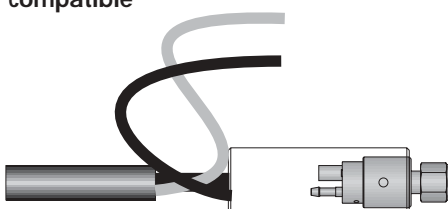
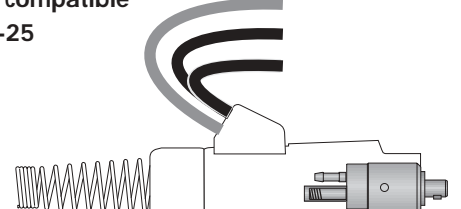
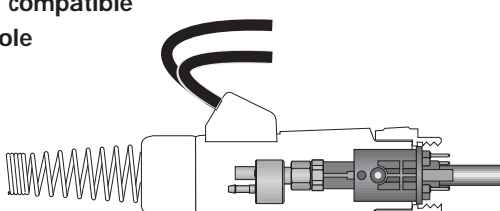
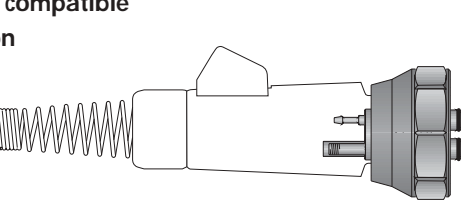
Pos.	Description	Units	Part-No.	Product-group
14	Hose Ø 3.9x1.5	100 m	109.0011	4050
14	Hose clamp Ø 8.2 mm with ring (mark 8.7)	20 Pcs.	173.0005	9010
	BCS-19 compatible Oerlikon			
15	BCS-19 connecting module		773.0511	2005
15	Nipple		773.0519	2005
15	Adaptor nut		772.0597	2005
15	Cable support housing		500.0218	9010
15	Cable support cover		500.0230	9010
15	Strain relief		500.0252	9010
15	Hose passage 1		500.0210	9010
15	Lock ring ND 31		400.0297	9010
15	Cable support spring		500.0226	9010
15	Pan head screw M4x6	20 Pcs.	000.0552	9010
15	Screw cap 2	20 Pcs.	500.0362	9010
15	Hose clamp Ø 5.7 mm with ring (mark 6.1)	20 Pcs.	173.0008	9010
	BCS-20 compatible Dalex (Gas central NW 11)			
16	BCS-20 connecting module		770.0523	2005
16	Cable support housing		500.0218	9010
16	Cable support cover		500.0230	9010
16	Strain relief		500.0252	9010
16	Hose guide 1		500.0284	9010
16	Lock ring ND 31		400.0297	9010
16	Cable support spring		500.0226	9010
16	Pan head screw M4x6	20 Pcs.	000.0552	9010
16	Screw cap 2	20 Pcs.	500.0362	9010
16	Hose Ø 3.9x1.5	100 m	109.0011	4050
16	Hose clamp Ø 8.2 mm with ring (mark 8.7)	20 Pcs.	173.0005	9010
16	Hose clamp Ø 7.5 mm with ring (mark 8.0)	20 Pcs.	173.0007	9010
	BCS-21 compatible Dalex (Coolant return flow central NW 11)			
17	BCS-21 connecting module		773.0534	2005
17	Cable support housing		500.0218	9010
17	Cable support cover		500.0230	9010
17	Strain relief		500.0252	9010
17	Hose guide 1		500.0284	9010
17	Lock ring ND 31		400.0297	9010
17	Cable support spring		500.0226	9010
17	Pan head screw M4x6	20 Pcs.	000.0552	9010
17	Screw cap 2	20 Pcs.	500.0362	9010
	BCS-22 compatible BSB 10-25			
18	BCS-22 connecting module		771.0525	2005
18	Rubber sleeve		500.0272	9010
18	Hose Ø 3.9x1.5	100 m	109.0011	4050
18	Hose clamp Ø 8.2 mm with ring (mark 8.7)	20 Pcs.	173.0005	9010
	BCS-25 compatible Oerlikon (Gas central NW 12)			
19	BCS-25 connecting module		773.0536	2005
19	Cable support housing		500.0218	9010
19	Cable support cover		500.0230	9010
19	Strain relief		500.0252	9010
19	Hose guide 1		500.0284	9010
19	Lock ring ND 31		400.0297	9010
19	Cable support spring		500.0226	9010
19	Pan head screw M4x6	20 Pcs.	000.0552	9010
19	Screw cap 2	20 Pcs.	500.0362	9010
19	Hose Ø 3.9x1.5	100 m	109.0011	4050
19	Hose clamp Ø 8.2 mm with ring (mark 8.7)	20 Pcs.	173.0005	9010
19	Hose clamp Ø 7.5 mm with ring (mark 8.0)	20 Pcs.	173.0007	9010

Connecting modules for ABITIG® 12-1 / 18 / 18 SC / 20 / 24 W

Pos.	Description	Units	Part-No.	Product-group
	BCS-26 compatible BSB 35-50 Lincoln (Gas central)			
20	BCS-26 connecting module		772.0516	2005
20	Cable support housing		500.0218	9010
20	Cable support cover		500.0230	9010
20	Strain relief		500.0252	9010
20	Hose guide 1		500.0284	9010
20	Lock ring ND 31		400.0297	9010
20	Cable support spring		500.0226	9010
20	Pan head screw M4x6	20 Pcs.	000.0552	9010
20	Screw cap 2	20 Pcs.	500.0362	9010
20	Hose Ø 3.9x1.5	100 m	109.0011	4050
20	Hose clamp Ø 8.2 mm with ring (mark 8.7)	20 Pcs.	173.0005	9010
20	Hose clamp Ø 7.5 mm with ring (mark 8.0)	20 Pcs.	173.0007	9010
	BCS-27 compatible BSB 10-25			
21	BCS-27 connecting module		770.0558	2005
21	Cable support machine side		770.0560	2005
21	Rounded countersunk head screw M4x6	20 Pcs.	009.0201	9010
21	Hose 1 Ø 3.9x1.5 (0.47 m)		109.0508	2555
21	Hose clamp Ø 8.2 mm with ring (mark 8.7)	20 Pcs.	173.0005	9010
21	Hose clamp Ø 7.5 mm with ring (mark 8.0)	20 Pcs.	173.0007	9010
	BCS-33 compatible SAF (Gas central NW 12.2)			
22	BCS-33 connecting module		773.0537	2005
22	Cable support housing		500.0218	9010
22	Cable support cover		500.0230	9010
22	Strain relief		500.0252	9010
22	Hose guide 1		500.0284	9010
22	Lock ring ND 31		400.0297	9010
22	Cable support spring		500.0226	9010
22	Pan head screw M4x6	20 Pcs.	000.0552	9010
22	Screw cap 2	20 Pcs.	500.0362	9010
22	Hose Ø 3.9x1.5	100 m	109.0011	4050
22	Hose clamp Ø 8.2 mm with ring (mark 8.7)	20 Pcs.	173.0005	9010
22	Hose clamp Ø 7.5 mm with ring (mark 8.0)	20 Pcs.	173.0007	9010
	BCS-34 compatible Merkle/Stell			
23	BCS-34 connecting module		770.0577	2005
23	Cable support housing		500.0218	9010
23	Cable support cover		500.0230	9010
23	Strain relief		500.0252	9010
23	Hose guide 1		500.0284	9010
23	Lock ring ND 31		400.0297	9010
23	Cable support spring		500.0226	9010
23	Pan head screw M4x6	20 Pcs.	000.0552	9010
23	Screw cap 1	20 Pcs.	500.0251	9010
23	Adaptor nut		500.0213	9010
23	Hose Ø 3.9x1.5	100 m	109.0011	4050
23	Hose clamp Ø 8.2 mm with ring (mark 8.7)	20 Pcs.	173.0005	9010
23	Hose clamp Ø 7.5 mm with ring (mark 8.0)	20 Pcs.	173.0007	9010
	BCS-35 compatible Kempfi (TTC Series)			
24	BCS-35 connecting module		773.0558	2005
24	Cable support machine side		772.0519	2005
24	Rounded countersunk head screw M4x6	20 Pcs.	009.0201	9010
24	Hose Ø 3.9x1.5	100 m	109.0011	4050
24	Hose clamp Ø 8.2 mm with ring (mark 8.7)	20 Pcs.	173.0005	9010
24	Hose clamp Ø 7.5 mm with ring (mark 8.0)	20 Pcs.	173.0007	9010
	BCS-36 compatible Fronius (Gas central NW 10.4)			
25	BCS-36 connecting module		770.0585	2005

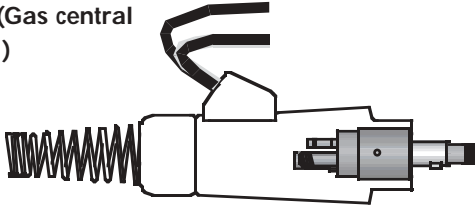


Connecting modules for ABITIG® 260 W / 450 W

<p>BCS-01 compatible BSB 35-50</p>  <p style="text-align: right;">①</p>	<p>BCS-08 compatible M12x1</p>  <p style="text-align: right;">⑧</p>
<p>BCS-02 compatible Lorch (Gas central NW 6)</p>  <p style="text-align: right;">②</p>	<p>BCS-10 compatible M12x1</p>  <p style="text-align: right;">⑨</p>
<p>BCS-03 compatible WZ-0</p>  <p style="text-align: right;">③</p>	<p>BCS-12 compatible 7/8"-14UNF</p>  <p style="text-align: right;">⑩</p>
<p>BCS-04 compatible WTW-5</p>  <p style="text-align: right;">④</p>	<p>BCS-15 compatible 9/16"-18UNF</p>  <p style="text-align: right;">⑪</p>
<p>BCS-05 compatible Cloos</p>  <p style="text-align: right;">⑤</p>	<p>BCS-16 compatible 7/8"-14UNF LH</p>  <p style="text-align: right;">⑫</p>
<p>BCS-06 compatible G3/8"</p>  <p style="text-align: right;">⑥</p>	<p>BCS-17 compatible BSB 10-25</p>  <p style="text-align: right;">⑬</p>
<p>BCS-07 compatible ZA 9-pole</p>  <p style="text-align: right;">⑦</p>	<p>BCS-19 compatible Oerlikon</p>  <p style="text-align: right;">⑭</p>

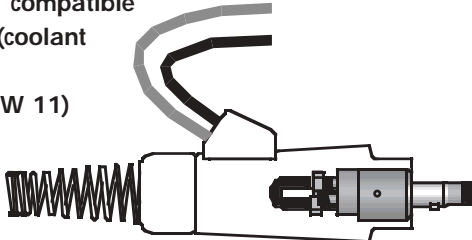
Connecting modules for ABITIG® 260 W / 450 W

BCS-20 compatible
Dalex (Gas central
NW 11)



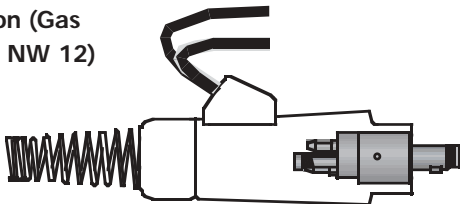
15

BCS-21 compatible
Dalex (coolant
return
flow NW 11)



16

BCS-25 compatible
Oerlikon (Gas
central NW 12)



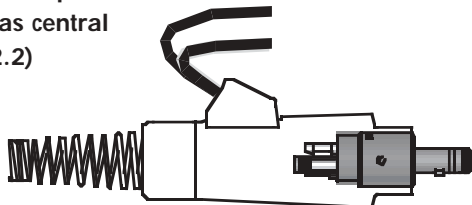
17

BCS-26 compatible
BSB 35-50 Lincoln
(Gas central)



18

BCS-33 compatible
SAF (Gas central
NW 12.2)



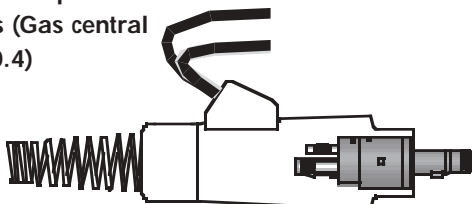
19

BCS-35 compatible
Kemppi (TTC series)



20

BCS-36 compatible
Fronius (Gas central
NW 10.4)



21

Connecting modules for ABITIG® 260 W / 450 W

Pos.	Description	Units	Part-No.	Product-group
	BCS-01 compatible BSB 35-50			
1	BCS-01 connecting module		770.0502	2555
1	Cable support housing		500.0218	9010
1	Cable support cover		500.0230	9010
1	Strain relief ERGO		400.0412	9010
1	Hose guide 1		500.0284	9010
1	Lock ring ND 31		400.0297	9010
1	Cable support spring		500.0226	9010
1	Pan head screw M4x6	20 Pcs.	000.0552	9010
1	Screw cap 2	20 Pcs.	500.0362	9010
1	Hose Ø 3.9x1.5	100 m	109.0011	4050
1	Hose clamp Ø 7.5 mm with ring (mark 8.0)	20 Pcs.	173.0007	9010
	BCS-02 compatible Lorch (Gas central NW 6)			
2	BCS-02 connecting module		770.0501	2555
2	Cable support housing		500.0218	9010
2	Cable support cover		500.0230	9010
2	Strain relief ERGO		400.0412	9010
2	Hose guide 1		500.0284	9010
2	Lock ring ND 31		400.0297	9010
2	Cable support spring		500.0226	9010
2	Pan head screw M4x6	20 Pcs.	000.0552	9010
2	Screw cap 2	20 Pcs.	500.0362	9010
2	Hose Ø 3.9x1.5	100 m	109.0011	4050
2	Hose clamp Ø 6.2 mm with ring (mark 6.6)	20 Pcs.	173.0006	9010
2	Hose clamp Ø 7.5 mm with ring (mark 8.0)	20 Pcs.	173.0007	9010
	BCS-03 compatible WZ-0			
3	BCS-03 connecting module		770.0531	2555
3	Cable support housing		500.0218	9010
3	Cable support cover		500.0230	9010
3	Strain relief ERGO		400.0412	9010
3	Hose guide 1		500.0284	9010
3	Lock ring ND 31		400.0297	9010
3	Cable support spring		500.0226	9010
3	Pan head screw M4x6	20 Pcs.	000.0552	9010
3	Screw cap 1	20 Pcs.	500.0251	9010
3	Adaptor nut		500.0213	9010
3	Hose Ø 3.9x1.5	100 m	109.0011	4050
3	Hose clamp Ø 5.7 mm with ring (mark 6.1)	20 Pcs.	173.0008	9010
3	Hose clamp Ø 7.5 mm with ring (mark 8.0)	20 Pcs.	173.0007	9010
	BCS-04 compatible WTW-5			
4	BCS-04 connecting module		770.0541	2555
4	Cable support housing		500.0218	9010
4	Cable support cover		500.0230	9010
4	Strain relief ERGO		400.0412	9010
4	Hose guide 1		500.0284	9010
4	Lock ring ND 31		400.0297	9010
4	Cable support spring		500.0226	9010
4	Pan head screw M4x6	20 Pcs.	000.0552	9010
4	Screw cap 1	20 Pcs.	500.0251	9010
4	Adaptor nut		500.0213	9010
4	Hose Ø 3.9x1.5	100 m	109.0011	4050
4	Hose clamp Ø 5.7 mm with ring (mark 6.1)	20 Pcs.	173.0008	9010
4	Hose clamp Ø 7.5 mm with ring (mark 8.0)	20 Pcs.	173.0007	9010
	BCS-05 compatible Cloos			
5	BCS-05 connecting module		770.0561	2555
5	Cable support housing		500.0218	9010

Connecting modules for ABITIG® 260 W / 450 W

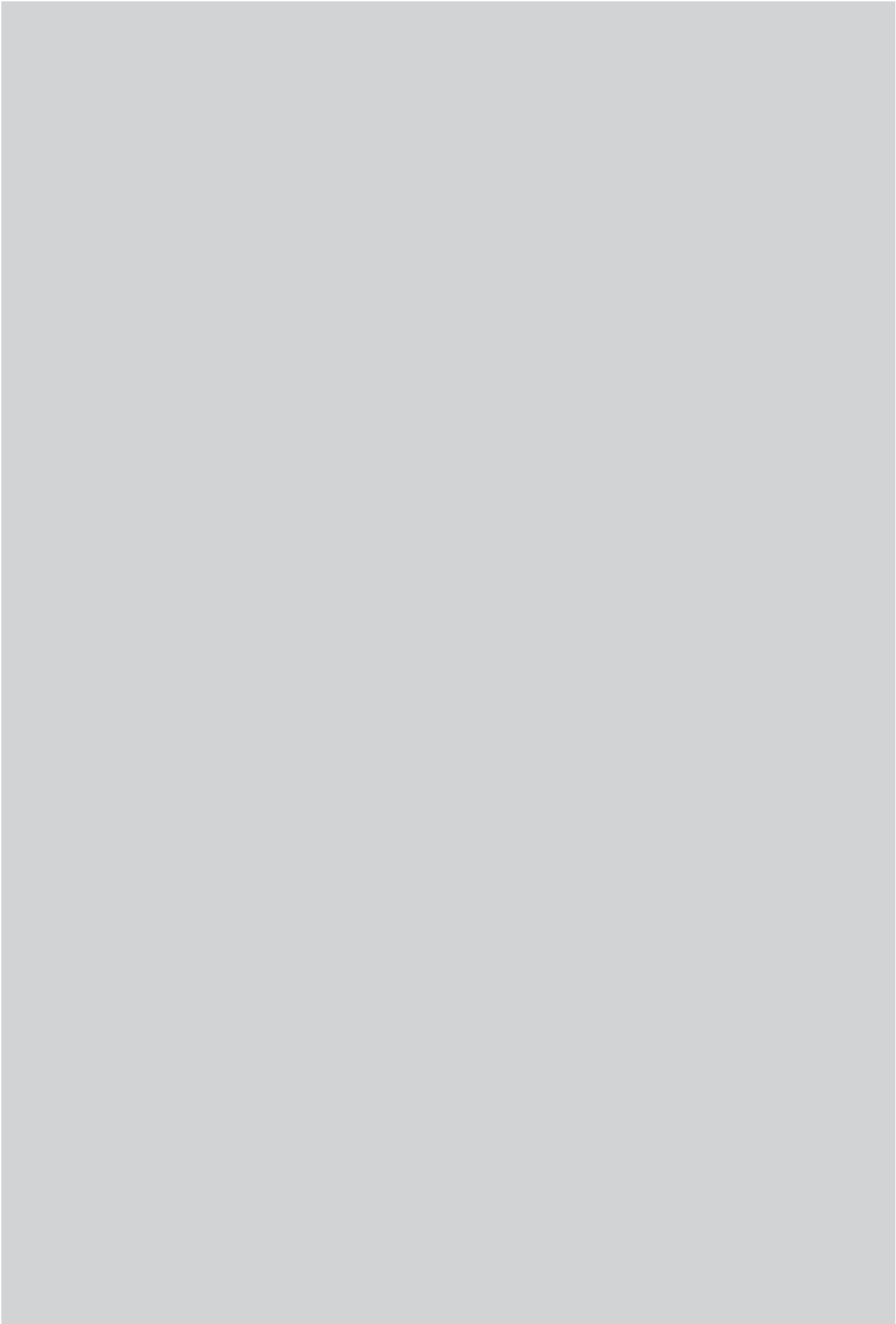
Pos.	Description	Units	Part-No.	Product-group
5	Cable support cover		500.0230	9010
5	Strain relief ERGO		400.0412	9010
5	Hose passage 1		500.0210	9010
5	Lock ring ND 31		400.0297	9010
5	Cable support spring		500.0226	9010
5	Pan head screw M4x6	20 Pcs.	000.0552	9010
5	Screw cap 2	20 Pcs.	500.0362	9010
5	Hose Ø 3.9x1.5	100 m	109.0011	4050
5	Hose 13 black Ø 4.2x1.5	100 m	109.0023	4050
5	Hose clamp Ø 7.5 mm with ring (mark 8.0)	20 Pcs.	173.0007	9010
	BCS-06 compatible G3/8"			
6	BCS-06 connecting module		770.0571	2555
6	Cable support machine side		772.0543	2555
6	Rounded countersunk head screw M4x6	20 Pcs.	009.0201	9010
6	Hose Ø 3.9x1.5	100 m	109.0011	4050
6	Hose clamp Ø 7.5 mm with ring (mark 8.0)	20 Pcs.	173.0007	9010
	BCS-07 compatible ZA 9-pole			
7	BCS-07 connecting module		772.0514	2555
7	Distance ring		771.0502	9010
7	Cable support housing		500.0218	9010
7	Cable support cover		500.0230	9010
7	Strain relief ERGO		400.0412	9010
7	Hose guide 1		500.0284	9010
7	Lock ring ND 31		400.0297	9010
7	Cable support spring		500.0226	9010
7	Pan head screw M4x6	20 Pcs.	000.0552	9010
7	Screw cap 2	20 Pcs.	500.0362	9010
7	Adaptor nut		501.0127	9010
7	Hose Ø 3.9x1.5	100 m	109.0011	4050
7	Hose clamp Ø 6.2 mm with ring (mark 6.6)	20 Pcs.	173.0006	9010
7	Hose clamp Ø 7.5 mm with ring (mark 8.0)	20 Pcs.	173.0007	9010
	BCS-08 compatible M12x1			
8	BCS-08 / BCS-10 connecting module		772.0521	2555
8	Cable support machine side		772.0543	2555
8	Rounded countersunk head screw M4x6	20 Pcs.	009.0201	9010
8	Hose Ø 3.9x1.5	100 m	109.0011	4050
8	Hose clamp Ø 7.5 mm with ring (mark 8.0)	20 Pcs.	173.0007	9010
	BCS-12 compatible 7/8"-14UNF			
9	BCS-08 / BCS-10 connecting module		772.0521	2555
9	Rubber sleeve		511.0098	9010
9	Hose 1 Ø 3.9x1.5 (0.47 m)		109.0508	2555
9	Hose clamp Ø 7.5 mm with ring (mark 8.0)	20 Pcs.	173.0007	9010
10	BCS-12 connecting module		772.0531	2555
10	Cable support housing		500.0218	9010
10	Cable support cover		500.0230	9010
10	Strain relief ERGO		400.0412	9010
10	Hose passage 1		500.0210	9010
10	Lock ring ND 31		400.0297	9010
10	Cable support spring		500.0226	9010
10	Pan head screw M4x6	20 Pcs.	000.0552	9010
10	Screw cap 2	20 Pcs.	500.0362	9010
10	Hose Ø 3.9x1.5	100 m	109.0011	4050
10	Hose clamp Ø 7.5 mm with ring (mark 8.0)	20 Pcs.	173.0007	9010
	BCS-15 compatible 9/16"-18UNF			
11	BCS-15 connecting module		772.0561	2555
11	Cable support housing		500.0218	9010

Connecting modules for ABITIG® 260 W / 450 W

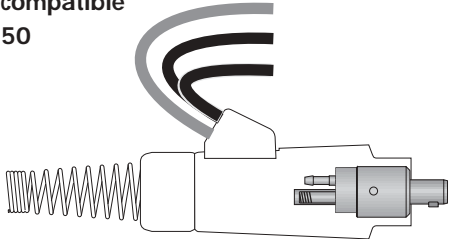
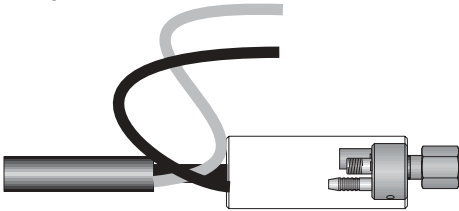
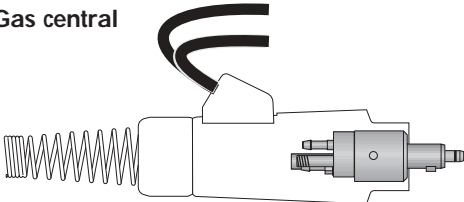
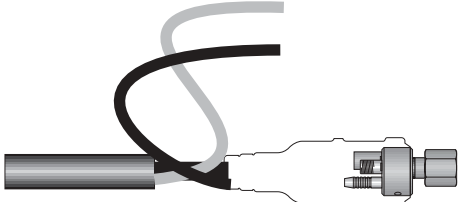
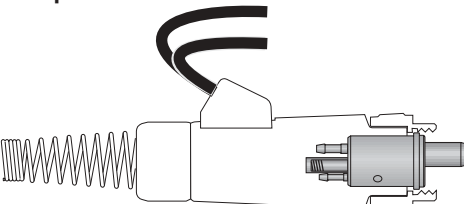
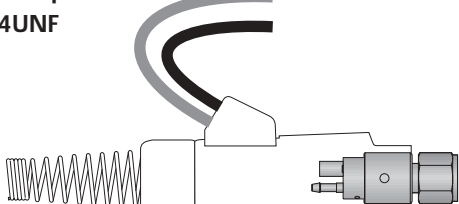
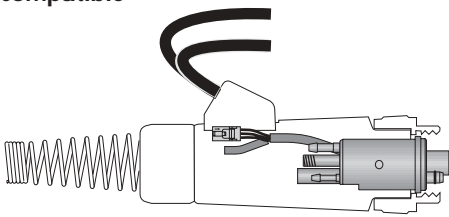
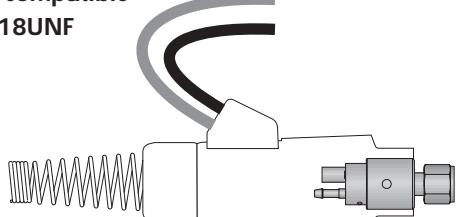
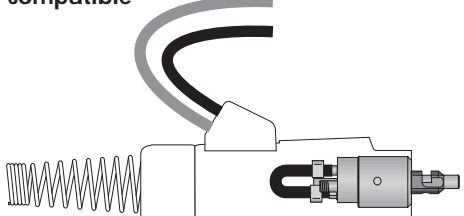
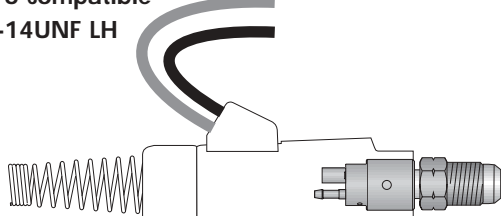
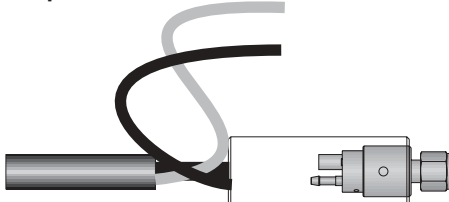
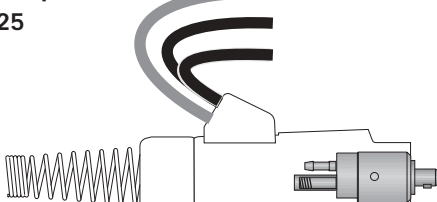
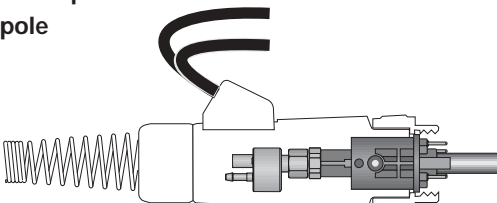
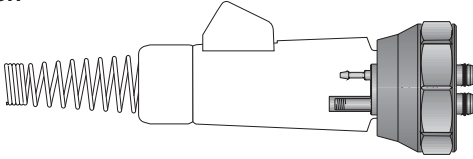
Pos.	Description	Units	Part-No.	Product-group
11	Cable support cover		500.0230	9010
11	Strain relief ERGO		400.0412	9010
11	Hose passage 1		500.0210	9010
11	Lock ring ND 31		400.0297	9010
11	Cable support spring		500.0226	9010
11	Pan head screw M4x6	20 Pcs.	000.0552	9010
11	Screw cap 2	20 Pcs.	500.0362	9010
11	Hose Ø 3.9x1.5	100 m	109.0011	4050
11	Hose clamp Ø 7.5 mm with ring (mark 8.0)	20 Pcs.	173.0007	9010
BCS-16 compatible 7/8"-14UNF LH				
12	BCS-16 connecting module		772.0571	2555
12	Cable support housing		500.0218	9010
12	Cable support cover		500.0230	9010
12	Strain relief ERGO		400.0412	9010
12	Hose passage 1		500.0210	9010
12	Lock ring ND 31		400.0297	9010
12	Cable support spring		500.0226	9010
12	Pan head screw M4x6	20 Pcs.	000.0552	9010
12	Screw cap 2	20 Pcs.	500.0362	9010
12	Hose Ø 3.9x1.5	100 m	109.0011	4050
12	Hose clamp Ø 7.5 mm with ring (mark 8.0)	20 Pcs.	173.0007	9010
BCS-12 compatible 7/8"-14UNF				
13	BCS-17 connecting module		772.0582	2555
13	Cable support housing		500.0218	9010
13	Cable support cover		500.0230	9010
13	Strain relief ERGO		400.0412	9010
13	Hose guide 1		500.0284	9010
13	Lock ring ND 31		400.0297	9010
13	Cable support spring		500.0226	9010
13	Pan head screw M4x6	20 Pcs.	000.0552	9010
13	Screw cap 2	20 Pcs.	500.0362	9010
13	Hose clamp Ø 7.5 mm with ring (mark 8.0)	20 Pcs.	173.0007	9010
13	Hose 1 Ø 3.9x1.5 (0.47 m)		109.0508	2555
BCS-19 compatible Oerlikon				
14	BCS-19 connecting module		772.0591	2555
14	Adaptor nut		772.0597	2005
14	Cable support housing		500.0218	9010
14	Cable support cover		500.0230	9010
14	Strain relief ERGO		400.0412	9010
14	Hose passage 1		500.0210	9010
14	Lock ring ND 31		400.0297	9010
14	Cable support spring		500.0226	9010
14	Pan head screw M4x6	20 Pcs.	000.0552	9010
14	Screw cap 2	20 Pcs.	500.0362	9010
14	Hose clamp Ø 5.7 mm with ring (mark 6.1)	20 Pcs.	173.0008	9010
BCS-20 compatible Dalex (Gas central NW 11)				
15	BCS-20 connecting module		770.0521	2555
15	Cable support housing		500.0218	9010
15	Cable support cover		500.0230	9010
15	Strain relief ERGO		400.0412	9010
15	Hose guide 1		500.0284	9010
15	Lock ring ND 31		400.0297	9010
15	Cable support spring		500.0226	9010
15	Pan head screw M4x6	20 Pcs.	000.0552	9010
15	Screw cap 2	20 Pcs.	500.0362	9010
15	Hose Ø 3.9x1.5	100 m	109.0011	4050

Connecting modules for ABITIG® 260 W / 450 W

Pos.	Description	Units	Part-No.	Product-group
15	Hose clamp Ø 6.2 mm with ring (mark 6.6)	20 Pcs.	173.0006	9010
15	Hose clamp Ø 7.5 mm with ring (mark 8.0)	20 Pcs.	173.0007	9010
	BCS-21 compatible Dalex (Coolant return flow central NW 11)			
16	BCS-21 connecting module		773.0531	2555
16	Cable support housing		500.0218	9010
16	Cable support cover		500.0230	9010
16	Strain relief ERGO		400.0412	9010
16	Hose passage 1		500.0210	9010
16	Lock ring ND 31		400.0297	9010
16	Cable support spring		500.0226	9010
16	Pan head screw M4x6	20 Pcs.	000.0552	9010
16	Screw cap 2	20 Pcs.	500.0362	9010
16	Hose Ø 3.9x1.5	100 m	109.0011	4050
16	Hose 13 black Ø 4.2x1.5	100 m	109.0023	4050
16	Hose clamp Ø 7.5 mm with ring (mark 8.0)	20 Pcs.	173.0007	9010
	BCS-25 compatible Oerlikon (Gas central NW 12)			
17	BCS-25 connecting module		773.0553	2555
17	Cable support housing		500.0218	9010
17	Cable support cover		500.0230	9010
17	Strain relief ERGO		400.0412	9010
17	Hose guide 1		500.0284	9010
17	Lock ring ND 31		400.0297	9010
17	Cable support spring		500.0226	9010
17	Pan head screw M4x6	20 Pcs.	000.0552	9010
17	Screw cap 2	20 Pcs.	500.0362	9010
17	Hose Ø 3.9x1.5	100 m	109.0011	4050
17	Hose clamp Ø 6.2 mm with ring (mark 6.6)	20 Pcs.	173.0006	9010
17	Hose clamp Ø 7.5 mm with ring (mark 8.0)	20 Pcs.	173.0007	9010
	BCS-26 compatible BSB 35-50 Lincoln (Gas central)			
18	BCS-26 connecting module		772.0515	2555
18	Cable support housing		500.0218	9010
18	Cable support cover		500.0230	9010
18	Strain relief ERGO		400.0412	9010
18	Hose guide 1		500.0284	9010
18	Lock ring ND 31		400.0297	9010
18	Cable support spring		500.0226	9010
18	Pan head screw M4x6	20 Pcs.	000.0552	9010
18	Screw cap 2	20 Pcs.	500.0362	9010
18	Hose Ø 3.9x1.5	100 m	109.0011	4050
18	Hose clamp Ø 6.2 mm with ring (mark 6.6)	20 Pcs.	173.0006	9010
18	Hose clamp Ø 7.5 mm with ring (mark 8.0)	20 Pcs.	173.0007	9010
	BCS-33 compatible SAF (Gas central NW 12.2)			
19	BCS-33 connecting module		773.0538	2555
19	Cable support housing		500.0218	9010
19	Cable support cover		500.0230	9010
19	Strain relief ERGO		400.0412	9010
19	Hose guide 1		500.0284	9010
19	Lock ring ND 31		400.0297	9010
19	Cable support spring		500.0226	9010
19	Pan head screw M4x6	20 Pcs.	000.0552	9010
19	Screw cap 2	20 Pcs.	500.0362	9010
19	Hose Ø 3.9x1.5	100 m	109.0011	4050
19	Hose clamp Ø 6.2 mm with ring (mark 6.6)	20 Pcs.	173.0006	9010
19	Hose clamp Ø 7.5 mm with ring (mark 8.0)	20 Pcs.	173.0007	9010
	BCS-35 compatible Kempfi (TTC Series)			
20	BCS-35 connecting module		773.0559	2555

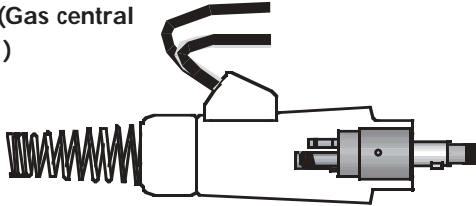


Connecting modules for ABITIG® 450 W SC

<p>BCS-01 compatible BSB 35-50</p>  <p style="text-align: right;">①</p>	<p>BCS-08 compatible M12x1</p>  <p style="text-align: right;">⑧</p>
<p>BCS-02 compatible Lorch (Gas central NW 6)</p>  <p style="text-align: right;">②</p>	<p>BCS-10 compatible M12x1</p>  <p style="text-align: right;">⑨</p>
<p>BCS-03 compatible WZ-0</p>  <p style="text-align: right;">③</p>	<p>BCS-12 compatible 7/8"-14UNF</p>  <p style="text-align: right;">⑩</p>
<p>BCS-04 compatible WTW-5</p>  <p style="text-align: right;">④</p>	<p>BCS-15 compatible 9/16"-18UNF</p>  <p style="text-align: right;">⑪</p>
<p>BCS-05 compatible Cloos</p>  <p style="text-align: right;">⑤</p>	<p>BCS-16 compatible 7/8"-14UNF LH</p>  <p style="text-align: right;">⑫</p>
<p>BCS-06 compatible G3/8"</p>  <p style="text-align: right;">⑥</p>	<p>BCS-17 compatible BSB 10-25</p>  <p style="text-align: right;">⑬</p>
<p>BCS-07 compatible ZA 9-pole</p>  <p style="text-align: right;">⑦</p>	<p>BCS-19 compatible Oerlikon</p>  <p style="text-align: right;">⑭</p>

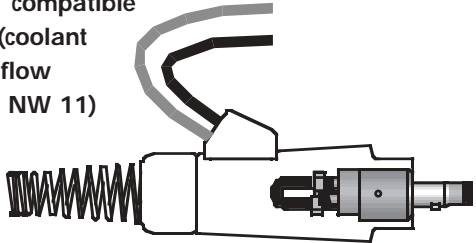
Connecting modules for ABITIG® 450 W SC

BCS-20 compatible
Dalex (Gas central
NW 11)



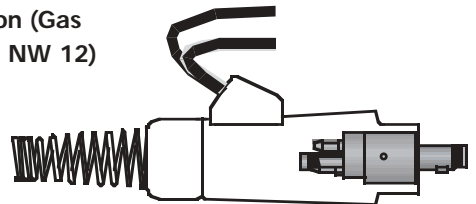
15

BCS-21 compatible
Dalex (coolant
return flow
central NW 11)



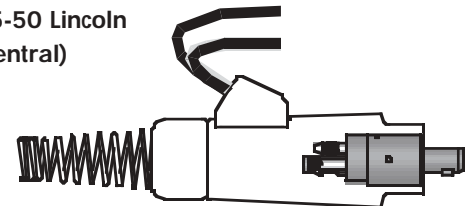
16

BCS-25 compatible
Oerlikon (Gas
central NW 12)



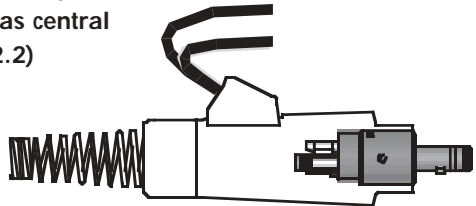
17

BCS-26 compatible
BSB 35-50 Lincoln
(Gas central)



18

BCS-33 compatible
SAF (Gas central
NW 12.2)



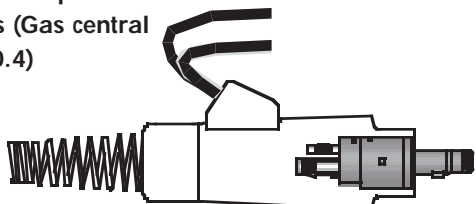
19

BCS-35 compatible
Kemppi (TTC series)



20

BCS-36 compatible
Fronius (Gas central
NW 10.4)



21

Connecting modules for ABITIG® 450 W SC

Pos.	Description	Units	Part-No.	Product-group
	BCS-01 compatible BSB 35-50			
1	BCS-01 connecting module		770.0502	2555
1	Cable support housing		500.0218	9010
1	Cable support cover		500.0230	9010
1	Hose guide 1		500.0284	9010
1	Lock ring ND 31		400.0297	9010
1	Cable support		500.0160	9010
1	Pan head screw M4x6	20 Pcs.	000.0552	9010
1	Screw cap 2	20 Pcs.	500.0362	9010
1	Hose Ø 3.9x1.5	100 m	109.0011	4050
1	Hose clamp Ø 7.5 mm with ring (mark 8.0)	20 Pcs.	173.0007	9010
	BCS-02 compatible Lorch (Gas central NW 6)			
2	BCS-02 connecting module		770.0501	2555
2	Cable support housing		500.0218	9010
2	Cable support cover		500.0230	9010
2	Hose guide 1		500.0284	9010
2	Lock ring ND 31		400.0297	9010
2	Cable support		500.0160	9010
2	Pan head screw M4x6	20 Pcs.	000.0552	9010
2	Screw cap 2	20 Pcs.	500.0362	9010
2	Hose Ø 3.9x1.5	100 m	109.0011	4050
2	Hose clamp Ø 6.2 mm with ring (mark 6.6)	20 Pcs.	173.0006	9010
2	Hose clamp Ø 7.5 mm with ring (mark 8.0)	20 Pcs.	173.0007	9010
	BCS-03 compatible WZ-0			
3	BCS-03 connecting module		770.0531	2555
3	Cable support housing		500.0218	9010
3	Cable support cover		500.0230	9010
3	Hose guide 1		500.0284	9010
3	Lock ring ND 31		400.0297	9010
3	Cable support		500.0160	9010
3	Pan head screw M4x6	20 Pcs.	000.0552	9010
3	Screw cap 1	20 Pcs.	500.0251	9010
3	Adaptor nut		500.0213	9010
3	Hose Ø 3.9x1.5	100 m	109.0011	4050
3	Hose clamp Ø 5.7 mm with ring (mark 6.1)	20 Pcs.	173.0008	9010
3	Hose clamp Ø 7.5 mm with ring (mark 8.0)	20 Pcs.	173.0007	9010
	BCS-04 compatible WTW-5			
4	BCS-04 connecting module		770.0541	2555
4	Cable support housing		500.0218	9010
4	Cable support cover		500.0230	9010
4	Hose guide 1		500.0284	9010
4	Lock ring ND 31		400.0297	9010
4	Cable support		500.0160	9010
4	Pan head screw M4x6	20 Pcs.	000.0552	9010
4	Screw cap 1	20 Pcs.	500.0251	9010
4	Adaptor nut		500.0213	9010
4	Hose Ø 3.9x1.5	100 m	109.0011	4050
4	Hose clamp Ø 5.7 mm with ring (mark 6.1)	20 Pcs.	173.0008	9010
4	Hose clamp Ø 7.5 mm with ring (mark 8.0)	20 Pcs.	173.0007	9010
	BCS-05 compatible Cloos			
5	BCS-05 connecting module		770.0561	2555
5	Cable support housing		500.0218	9010
5	Cable support cover		500.0230	9010
5	Hose passage 1		500.0210	9010
5	Lock ring ND 31		400.0297	9010
5	Cable support		500.0160	9010

Connecting modules for ABITIG® 450 W SC

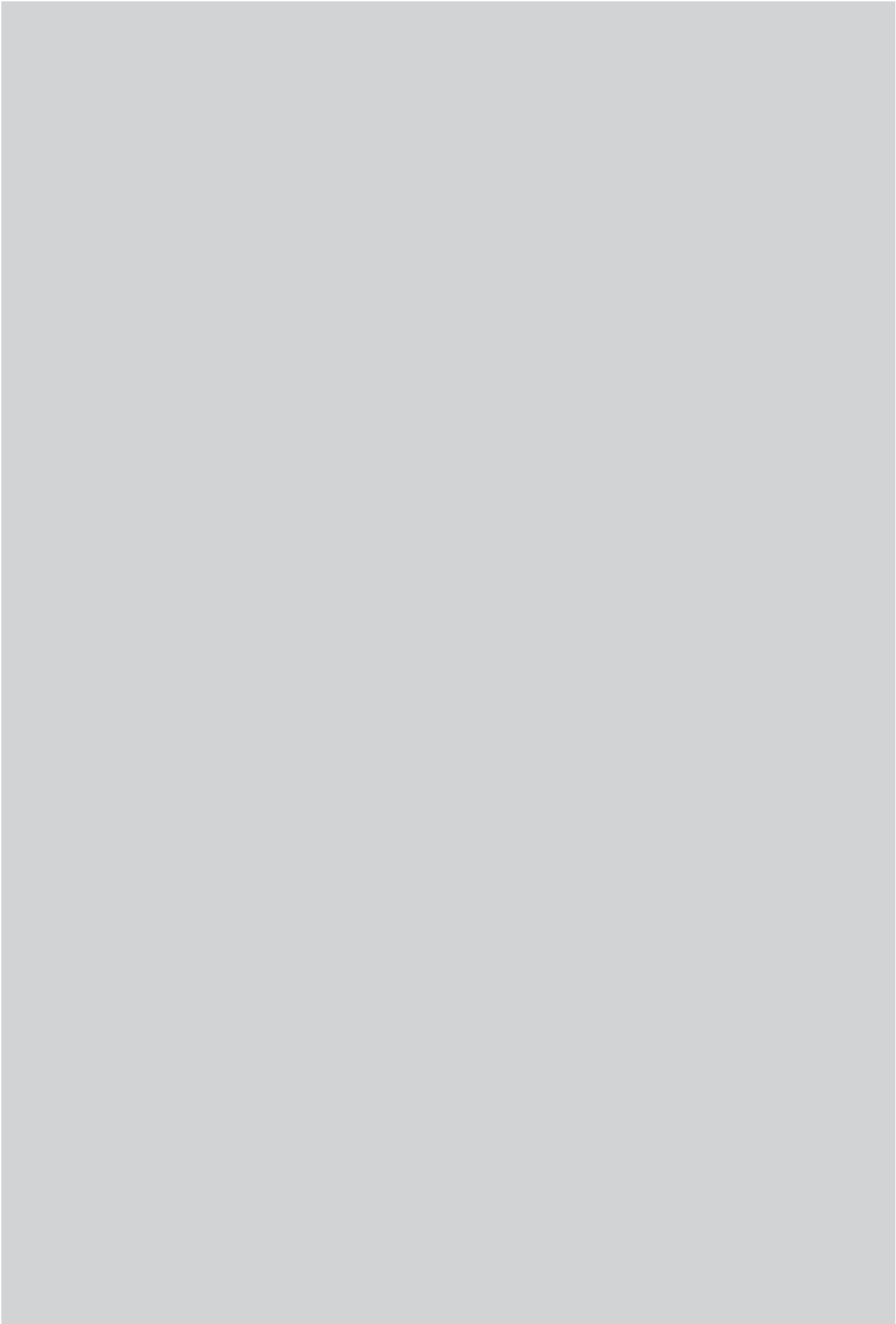
Pos.	Description	Units	Part-No.	Product-group
5	Pan head screw M4x6	20 Pcs.	000.0552	9010
5	Screw cap 2	20 Pcs.	500.0362	9010
5	Hose Ø 3.9x1.5	100 m	109.0011	4050
5	Hose 13 black Ø 4.2x1.5	100 m	109.0023	4050
5	Hose clamp Ø 7.5 mm with ring (mark 8.0)	20 Pcs.	173.0007	9010
	BCS-06 compatible G3/8"			
6	BCS-06 connecting module		770.0571	2555
6	Cable support machine side		772.0543	2555
6	Rounded countersunk head screw M4x6	20 Pcs.	009.0201	9010
6	Hose Ø 3.9x1.5	100 m	109.0011	4050
6	Hose clamp Ø 7.5 mm with ring (mark 8.0)	20 Pcs.	173.0007	9010
	BCS-07 compatible ZA 9-pole			
7	BCS-07 connecting module		772.0514	2555
7	Distance ring		771.0502	9010
7	Cable support housing		500.0218	9010
7	Cable support cover		500.0230	9010
7	Hose guide 1		500.0284	9010
7	Lock ring ND 31		400.0297	9010
7	Cable support		500.0160	9010
7	Pan head screw M4x6	20 Pcs.	000.0552	9010
7	Screw cap 2	20 Pcs.	500.0362	9010
7	Adaptor nut		501.0127	9010
7	Hose Ø 3.9x1.5	100 m	109.0011	4050
7	Hose clamp Ø 6.2 mm with ring (mark 6.6)	20 Pcs.	173.0006	9010
7	Hose clamp Ø 7.5 mm with ring (mark 8.0)	20 Pcs.	173.0007	9010
	BCS-08 compatible M12x1			
8	BCS-08 / BCS-10 connecting module		772.0521	2555
8	Cable support machine side		772.0543	2555
8	Rounded countersunk head screw M4x6	20 Pcs.	009.0201	9010
8	Hose Ø 3.9x1.5	100 m	109.0011	4050
8	Hose clamp Ø 7.5 mm with ring (mark 8.0)	20 Pcs.	173.0007	9010
	BCS-12 compatible 7/8"-14UNF			
9	BCS-08 / BCS-10 connecting module		772.0521	2555
9	Rubber sleeve		511.0098	9010
9	Hose 1 Ø 3.9x1.5 (0.47 m)		109.0508	2555
9	Hose clamp Ø 7.5 mm with ring (mark 8.0)	20 Pcs.	173.0007	9010
10	BCS-12 connecting module		772.0531	2555
10	Cable support housing		500.0218	9010
10	Cable support cover		500.0230	9010
10	Hose passage 1		500.0210	9010
10	Lock ring ND 31		400.0297	9010
10	Cable support		500.0160	9010
10	Pan head screw M4x6	20 Pcs.	000.0552	9010
10	Screw cap 2	20 Pcs.	500.0362	9010
10	Hose Ø 3.9x1.5	100 m	109.0011	4050
10	Hose clamp Ø 7.5 mm with ring (mark 8.0)	20 Pcs.	173.0007	9010
	BCS-15 compatible 9/16"-18UNF			
11	BCS-15 connecting module		772.0561	2555
11	Cable support housing		500.0218	9010
11	Cable support cover		500.0230	9010
11	Hose passage 1		500.0210	9010
11	Lock ring ND 31		400.0297	9010
11	Cable support		500.0160	9010
11	Pan head screw M4x6	20 Pcs.	000.0552	9010
11	Screw cap 2	20 Pcs.	500.0362	9010
11	Hose Ø 3.9x1.5	100 m	109.0011	4050

Connecting modules for ABITIG® 450 W SC

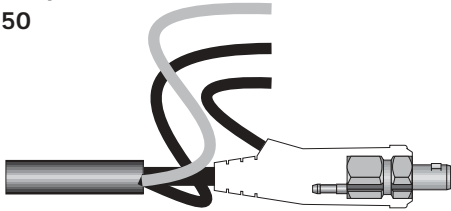
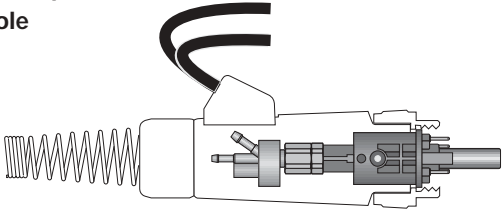
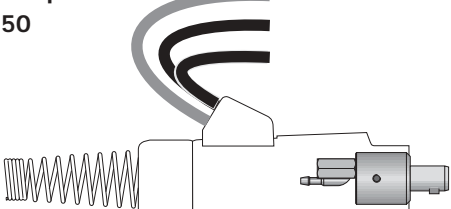
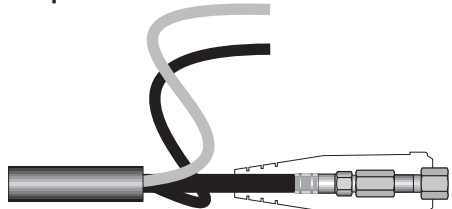
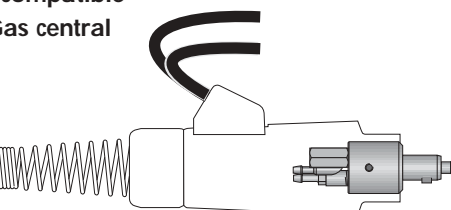
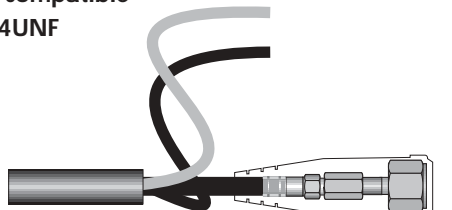
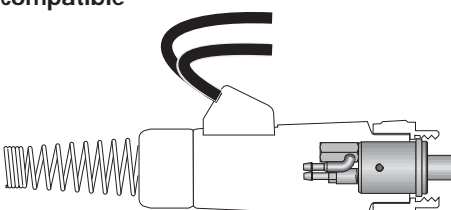
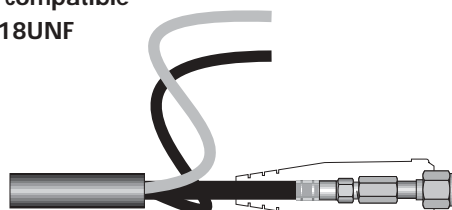
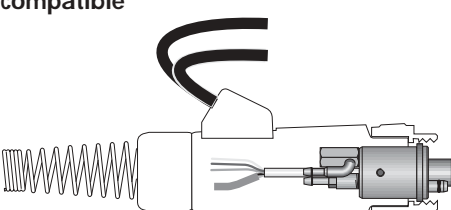
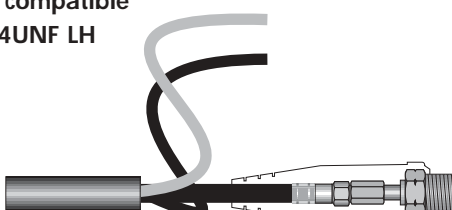
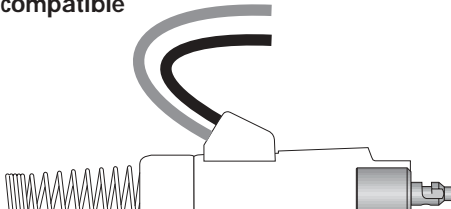
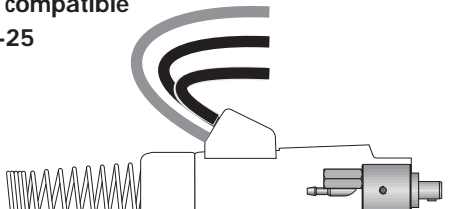
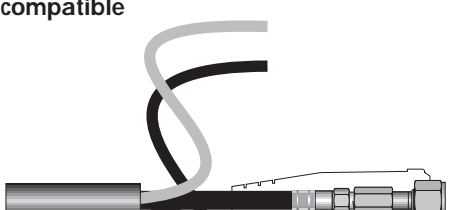
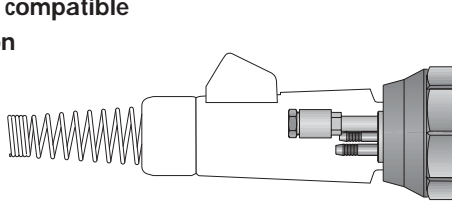
Pos.	Description	Units	Part-No.	Product-group
11	Hose clamp Ø 7.5 mm with ring (mark 8.0)	20 Pcs.	173.0007	9010
	BCS-16 compatible 7/8"-14UNF LH			
12	BCS-16 connecting module		772.0571	2555
12	Cable support housing		500.0218	9010
12	Cable support cover		500.0230	9010
12	Hose passage 1		500.0210	9010
12	Lock ring ND 31		400.0297	9010
12	Cable support		500.0160	9010
12	Pan head screw M4x6	20 Pcs.	000.0552	9010
12	Screw cap 2	20 Pcs.	500.0362	9010
12	Hose Ø 3.9x1.5	100 m	109.0011	4050
12	Hose clamp Ø 7.5 mm with ring (mark 8.0)	20 Pcs.	173.0007	9010
	BCS-12 compatible 7/8"-14UNF			
13	BCS-17 connecting module		772.0582	2555
13	Cable support housing		500.0218	9010
13	Cable support cover		500.0230	9010
13	Hose guide 1		500.0284	9010
13	Lock ring ND 31		400.0297	9010
13	Cable support		500.0160	9010
13	Pan head screw M4x6	20 Pcs.	000.0552	9010
13	Screw cap 2	20 Pcs.	500.0362	9010
13	Hose clamp Ø 7.5 mm with ring (mark 8.0)	20 Pcs.	173.0007	9010
13	Hose 1 Ø 3.9x1.5 (0.47 m)		109.0508	2555
	BCS-19 compatible Oerlikon			
14	BCS-19 connecting module		772.0591	2555
14	Adaptor nut		772.0597	2005
14	Cable support housing		500.0218	9010
14	Cable support cover		500.0230	9010
14	Hose passage 1		500.0210	9010
14	Lock ring ND 31		400.0297	9010
14	Cable support		500.0160	9010
14	Pan head screw M4x6	20 Pcs.	000.0552	9010
14	Screw cap 2	20 Pcs.	500.0362	9010
14	Hose clamp Ø 5.7 mm with ring (mark 6.1)	20 Pcs.	173.0008	9010
	BCS-20 compatible Dalex (Gas central NW 11)			
15	BCS-20 connecting module		770.0521	2555
15	Cable support housing		500.0218	9010
15	Cable support cover		500.0230	9010
15	Hose guide 1		500.0284	9010
15	Lock ring ND 31		400.0297	9010
15	Cable support		500.0160	9010
15	Pan head screw M4x6	20 Pcs.	000.0552	9010
15	Screw cap 2	20 Pcs.	500.0362	9010
15	Hose Ø 3.9x1.5	100 m	109.0011	4050
15	Hose clamp Ø 6.2 mm with ring (mark 6.6)	20 Pcs.	173.0006	9010
15	Hose clamp Ø 7.5 mm with ring (mark 8.0)	20 Pcs.	173.0007	9010
	BCS-21 compatible Dalex (Coolant return flow central NW 11)			
16	BCS-21 connecting module		773.0531	2555
16	Cable support housing		500.0218	9010
16	Cable support cover		500.0230	9010
16	Hose passage 1		500.0210	9010
16	Lock ring ND 31		400.0297	9010
16	Cable support		500.0160	9010
16	Pan head screw M4x6	20 Pcs.	000.0552	9010
16	Screw cap 2	20 Pcs.	500.0362	9010
16	Hose Ø 3.9x1.5	100 m	109.0011	4050

Connecting modules for ABITIG® 450 W SC

Pos.	Description	Units	Part-No.	Product-group
16	Hose 13 black Ø 4.2x1.5	100 m	109.0023	4050
16	Hose clamp Ø 7.5 mm with ring (mark 8.0)	20 Pcs.	173.0007	9010
	BCS-25 compatible Oerlikon (Gas central NW 12)			
17	BCS-25 connecting module		773.0553	2555
17	Cable support housing		500.0218	9010
17	Cable support cover		500.0230	9010
17	Hose guide 1		500.0284	9010
17	Lock ring ND 31		400.0297	9010
17	Cable support		500.0160	9010
17	Pan head screw M4x6	20 Pcs.	000.0552	9010
17	Screw cap 2	20 Pcs.	500.0362	9010
17	Hose Ø 3.9x1.5	100 m	109.0011	4050
17	Hose clamp Ø 6.2 mm with ring (mark 6.6)	20 Pcs.	173.0006	9010
17	Hose clamp Ø 7.5 mm with ring (mark 8.0)	20 Pcs.	173.0007	9010
	BCS-26 compatible BSB 35-50 Lincoln (Gas central)			
18	BCS-26 connecting module		772.0515	2555
18	Cable support housing		500.0218	9010
18	Cable support cover		500.0230	9010
18	Hose guide 1		500.0284	9010
18	Lock ring ND 31		400.0297	9010
18	Cable support		500.0160	9010
18	Pan head screw M4x6	20 Pcs.	000.0552	9010
18	Screw cap 2	20 Pcs.	500.0362	9010
18	Hose Ø 3.9x1.5	100 m	109.0011	4050
18	Hose clamp Ø 6.2 mm with ring (mark 6.6)	20 Pcs.	173.0006	9010
18	Hose clamp Ø 7.5 mm with ring (mark 8.0)	20 Pcs.	173.0007	9010
	BCS-33 compatible SAF (Gas central NW 12.2)			
19	BCS-33 connecting module		773.0538	2555
19	Cable support housing		500.0218	9010
19	Cable support cover		500.0230	9010
19	Hose guide 1		500.0284	9010
19	Lock ring ND 31		400.0297	9010
19	Cable support		500.0160	9010
19	Pan head screw M4x6	20 Pcs.	000.0552	9010
19	Screw cap 2	20 Pcs.	500.0362	9010
19	Hose Ø 3.9x1.5	100 m	109.0011	4050
19	Hose clamp Ø 6.2 mm with ring (mark 6.6)	20 Pcs.	173.0006	9010
19	Hose clamp Ø 7.5 mm with ring (mark 8.0)	20 Pcs.	173.0007	9010
	BCS-35 compatible Kemppi (TTC Series)			
20	BCS-35 connecting module		773.0559	2555
20	Cable support machine side		772.0519	2005
20	Rounded countersunk head screw M4x6	20 Pcs.	009.0201	9010
20	Hose Ø 3.9x1.5	100 m	109.0011	4050
20	Hose clamp Ø 8.2 mm with ring (mark 8.7)	20 Pcs.	173.0005	9010
20	Hose clamp Ø 7.5 mm with ring (mark 8.0)	20 Pcs.	173.0007	9010
	BCS-36 compatible Fronius (Gas central NW 10.4)			
21	BCS-36 connecting module		770.0586	2555
21	Cable support housing		500.0218	9010
21	Cable support cover		500.0230	9010
21	Hose guide 1		500.0284	9010
21	Lock ring ND 31		400.0297	9010
21	Cable support		500.0160	9010
21	Pan head screw M4x6	20 Pcs.	000.0552	9010
21	Screw cap 2	20 Pcs.	500.0362	9010
21	Hose Ø 3.9x1.5	100 m	109.0011	4050
21	Hose clamp Ø 6.2 mm with ring (mark 6.6)	20 Pcs.	173.0006	9010

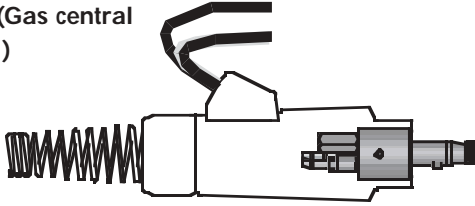


Connecting modules for ABITIG® 300 W-MT

<p>BCS-00 compatible BSB 35-50</p>  <p style="text-align: right;">①</p>	<p>BCS-07 compatible ZA 9-pole</p>  <p style="text-align: right;">⑧</p>
<p>BCS-01 compatible BSB 35-50</p>  <p style="text-align: right;">②</p>	<p>BCS-08 compatible M12x1</p>  <p style="text-align: right;">⑨</p>
<p>BCS-02 compatible Lorch (Gas central NW 6)</p>  <p style="text-align: right;">③</p>	<p>BCS-12 compatible 7/8"-14UNF</p>  <p style="text-align: right;">⑩</p>
<p>BCS-03 compatible WZ-0</p>  <p style="text-align: right;">④</p>	<p>BCS-15 compatible 9/16"-18UNF</p>  <p style="text-align: right;">⑪</p>
<p>BCS-04 compatible WTW-5</p>  <p style="text-align: right;">⑤</p>	<p>BCS-16 compatible 7/8"-14UNF LH</p>  <p style="text-align: right;">⑫</p>
<p>BCS-05 compatible Cloos</p>  <p style="text-align: right;">⑥</p>	<p>BCS-17 compatible BSB 10-25</p>  <p style="text-align: right;">⑬</p>
<p>BCS-06 compatible G3/8"</p>  <p style="text-align: right;">⑦</p>	<p>BCS-19 compatible Oerlikon</p>  <p style="text-align: right;">⑭</p>

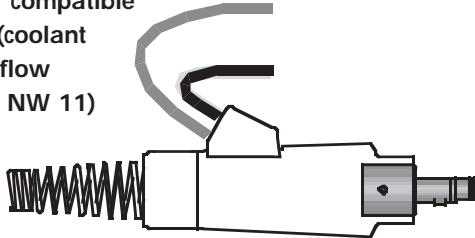
Connecting modules for ABITIG® 300 W-MT

BCS-20 compatible
Dalex (Gas central
NW 11)



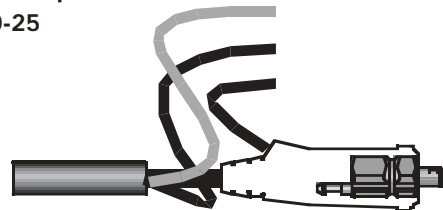
15

BCS-21 compatible
Dalex (coolant
return flow
central NW 11)



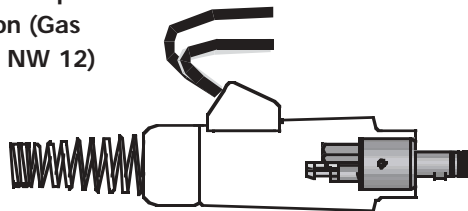
16

BCS-22 compatible
BSB 10-25



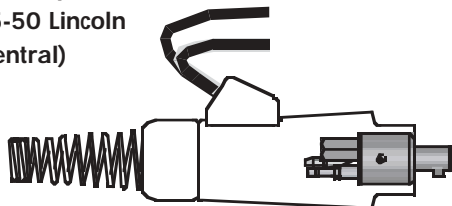
17

BCS-25 compatible
Oerlikon (Gas
central NW 12)



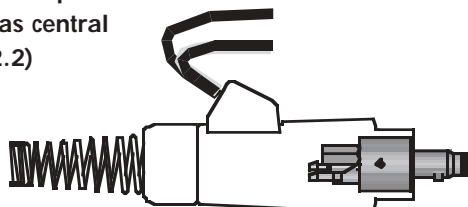
18

BCS-26 compatible
BSB 35-50 Lincoln
(Gas central)



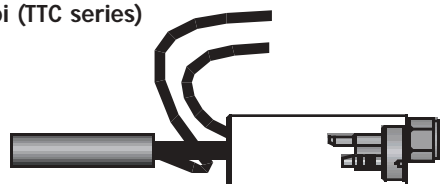
19

BCS-33 compatible
SAF (Gas central
NW 12.2)



20

BCS-35 compatible
Kemppi (TTC series)



21

Connecting modules for ABITIG® 300 W-MT

Pos.	Description	Units	Part-No.	Product-group
	BCS-00 compatible BSB 35-50			
1	BCS-00 connecting module		771.0521	2005
1	Rubber sleeve		500.0272	9010
1	Hose Ø 3.9x1.5	100 m	109.0011	4050
1	Hose clamp Ø 8.2 mm with ring (mark 8.7)	20 Pcs.	173.0005	9010
	BCS-01 compatible BSB 35-50			
2	BCS-01 connecting module		770.0518	2005
2	Cable support housing		500.0218	9010
2	Cable support cover		500.0230	9010
2	Strain relief		400.0413	9010
2	Hose guide 1		500.0284	9010
2	Lock ring ND 31		400.0297	9010
2	Cable support spring		500.0227	9010
2	Pan head screw M4x6	20 Pcs.	000.0552	9010
2	Screw cap 2	20 Pcs.	500.0362	9010
2	Hose Ø 3.9x1.5	100 m	109.0011	4050
2	Hose clamp Ø 8.2 mm with ring (mark 8.7)	20 Pcs.	173.0005	9010
	BCS-02 compatible Lorch (Gas central NW 6)			
3	BCS-02 connecting module		772.0512	2005
3	Cable support housing		500.0218	9010
3	Cable support cover		500.0230	9010
3	Strain relief		400.0413	9010
3	Hose guide 1		500.0284	9010
3	Lock ring ND 31		400.0297	9010
3	Cable support spring		500.0227	9010
3	Pan head screw M4x6	20 Pcs.	000.0552	9010
3	Screw cap 2	20 Pcs.	500.0362	9010
3	Hose Ø 3.9x1.5	100 m	109.0011	4050
3	Hose clamp Ø 8.2 mm with ring (mark 8.7)	20 Pcs.	173.0005	9010
3	Hose clamp Ø 7.5 mm with ring (mark 8.0)	20 Pcs.	173.0007	9010
	BCS-03 compatible WZ-0			
4	BCS-03 connecting module		770.0583	2005
4	Cable support housing		500.0218	9010
4	Cable support cover		500.0230	9010
4	Strain relief		400.0413	9010
4	Hose guide 1		500.0284	9010
4	Lock ring ND 31		400.0297	9010
4	Cable support spring		500.0227	9010
4	Pan head screw M4x6	20 Pcs.	000.0552	9010
4	Screw cap 1	20 Pcs.	500.0251	9010
4	Adaptor nut		500.0213	9010
4	Hose Ø 3.9x1.5	100 m	109.0011	4050
4	Hose clamp Ø 8.2 mm with ring (mark 8.7)	20 Pcs.	173.0005	9010
4	Hose clamp Ø 7.5 mm with ring (mark 8.0)	20 Pcs.	173.0007	9010
	BCS-04 compatible WTW-5			
5	BCS-04 connecting module		770.0557	2005
5	Cable support housing		500.0218	9010
5	Cable support cover		500.0230	9010
5	Strain relief		400.0413	9010
5	Hose guide 1		500.0284	9010
5	Lock ring ND 31		400.0297	9010
5	Cable support spring		500.0227	9010
5	Pan head screw M4x6	20 Pcs.	000.0552	9010
5	Screw cap 1	20 Pcs.	500.0251	9010
5	Adaptor nut		500.0213	9010
5	Hose Ø 3.9x1.5	100 m	109.0011	4050

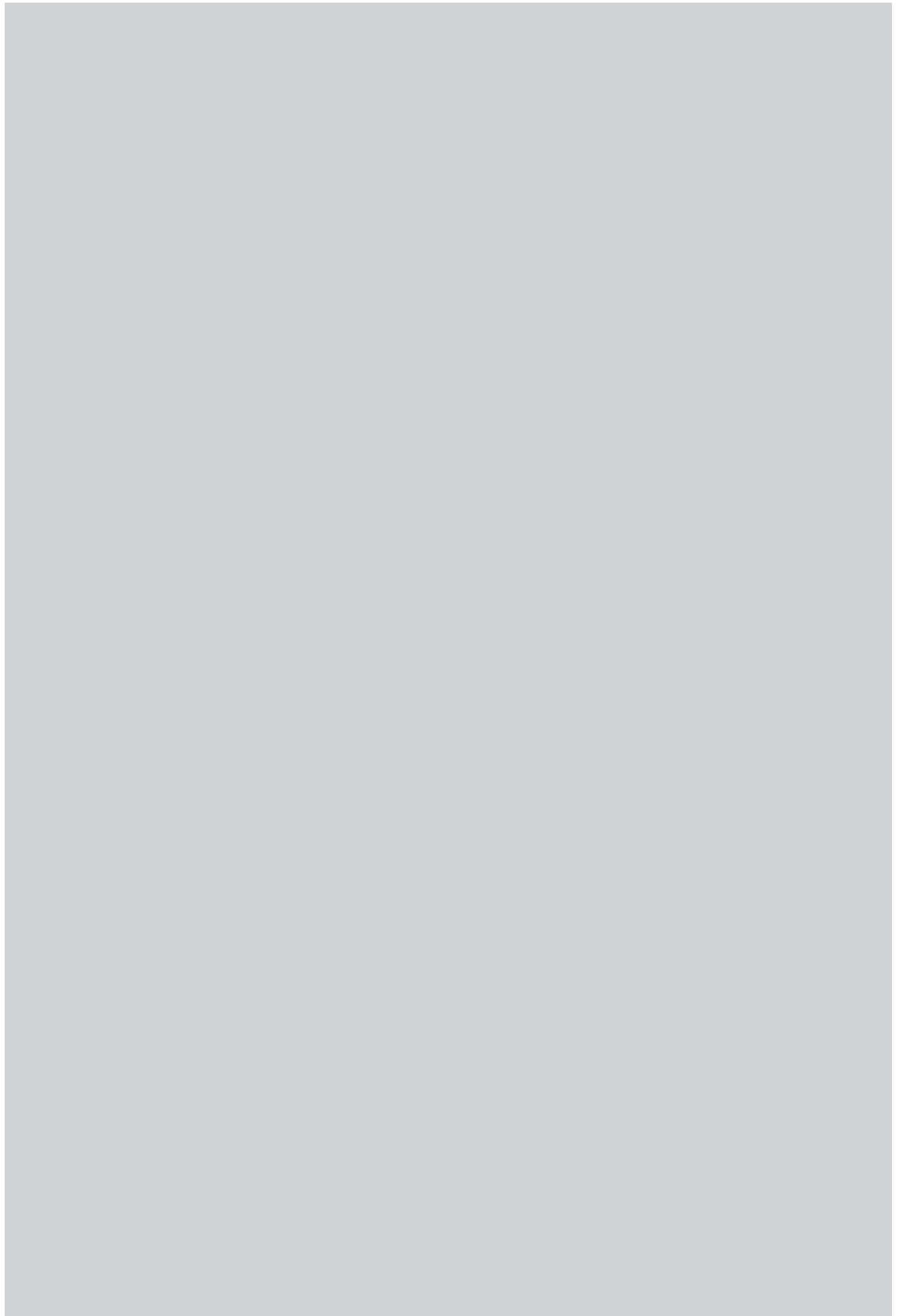
Connecting modules for ABITIG® 300 W-MT

Pos.	Description	Units	Part-No.	Product-group
5	Hose clamp Ø 8.2 mm with ring (mark 8.7)	20 Pcs.	173.0005	9010
5	Hose clamp Ø 7.5 mm with ring (mark 8.0)	20 Pcs.	173.0007	9010
	BCS-05 compatible Cloos			
6	BCS-05 connecting module		770.0562	2005
6	Cable support housing		500.0218	9010
6	Cable support cover		500.0230	9010
6	Strain relief		400.0413	9010
6	Hose passage 1		500.0210	9010
6	Lock ring ND 31		400.0297	9010
6	Cable support spring		500.0227	9010
6	Pan head screw M4x6	20 Pcs.	000.0552	9010
6	Screw cap 2	20 Pcs.	500.0362	9010
	BCS-06 compatible G3/8"			
7	BCS-06 connecting module		770.0573	2005
7	Rubber sleeve		500.0300	4001
	BCS-07 compatible ZA 9-pole			
8	BCS-07 connecting module		772.0509	2005
8	Distance ring		771.0502	9010
8	Connector		772.0505	2005
8	Cable support housing		500.0218	9010
8	Cable support cover		500.0230	9010
8	Strain relief		400.0413	9010
8	Hose guide 1		500.0284	9010
8	Lock ring ND 31		400.0297	9010
8	Cable support spring		500.0227	9010
8	Pan head screw M4x6	20 Pcs.	000.0552	9010
8	Screw cap 2	20 Pcs.	500.0362	9010
8	Adaptor nut		501.0127	9010
8	Hose Ø 3.9x1.5	100 m	109.0011	4050
8	Hose clamp Ø 8.2 mm with ring (mark 8.7)	20 Pcs.	173.0005	9010
8	Hose clamp Ø 7.5 mm with ring (mark 8.0)	20 Pcs.	173.0007	9010
	BCS-08 compatible M12x1			
9	BCS-08 connecting module		771.0572	2005
9	Rubber sleeve		500.0300	4001
	BCS-12 compatible 7/8"-14UNF			
10	BCS-12 connecting module		772.0586	2005
10	Rubber sleeve		500.0300	4001
	BCS-15 compatible 9/16"-18UNF			
11	BCS-15 connecting module		771.0574	2005
11	Rubber sleeve		500.0300	4001
	BCS-16 compatible 7/8"-14UNF LH			
12	BCS-16 connecting module		772.0587	2005
12	Rubber sleeve		500.0300	4001
	BCS-17 compatible BSB 10-25			
13	BCS-17 connecting module		772.0581	2005
13	Cable support housing		500.0218	9010
13	Cable support cover		500.0230	9010
13	Strain relief		400.0413	9010
13	Hose guide 1		500.0284	9010
13	Lock ring ND 31		400.0297	9010
13	Cable support spring		500.0227	9010
13	Pan head screw M4x6	20 Pcs.	000.0552	9010
13	Screw cap 2	20 Pcs.	500.0362	9010
13	Hose Ø 3.9x1.5	100 m	109.0011	4050
13	Hose clamp Ø 8.2 mm with ring (mark 8.7)	20 Pcs.	173.0005	9010

Connecting modules for ABITIG® 300 W-MT

Pos.	Description	Units	Part-No.	Product-group
	BCS-19 compatible Oerlikon			
14	BCS-19 connecting module		773.0511	2005
14	Nipple		773.0519	2005
14	Adaptor nut		772.0597	2005
14	Cable support housing		500.0218	9010
14	Cable support cover		500.0230	9010
14	Strain relief		400.0413	9010
14	Hose passage 1		500.0210	9010
14	Lock ring ND 31		400.0297	9010
14	Cable support spring		500.0227	9010
14	Pan head screw M4x6	20 Pcs.	000.0552	9010
14	Screw cap 2	20 Pcs.	500.0362	9010
14	Hose clamp Ø 5.7 mm with ring (mark 6.1)	20 Pcs.	173.0008	9010
	BCS-20 compatible Dalex (Gas central NW 11)			
15	BCS-20 connecting module		770.0523	2005
15	Cable support housing		500.0218	9010
15	Cable support cover		500.0230	9010
15	Strain relief		400.0413	9010
15	Hose guide 1		500.0284	9010
15	Lock ring ND 31		400.0297	9010
15	Cable support spring		500.0227	9010
15	Pan head screw M4x6	20 Pcs.	000.0552	9010
15	Screw cap 2	20 Pcs.	500.0362	9010
15	Hose Ø 3.9x1.5	100 m	109.0011	4050
15	Hose clamp Ø 8.2 mm with ring (mark 8.7)	20 Pcs.	173.0005	9010
15	Hose clamp Ø 7.5 mm with ring (mark 8.0)	20 Pcs.	173.0007	9010
	BCS-21 compatible Dalex (Coolant return flow central NW 11)			
16	BCS-21 connecting module		773.0534	2005
16	Cable support housing		500.0218	9010
16	Cable support cover		500.0230	9010
16	Strain relief		400.0413	9010
16	Hose guide 1		500.0284	9010
16	Lock ring ND 31		400.0297	9010
16	Cable support spring		500.0227	9010
16	Pan head screw M4x6	20 Pcs.	000.0552	9010
16	Screw cap 2	20 Pcs.	500.0362	9010
	BCS-22 compatible BSB 10-25			
17	BCS-22 connecting module		771.0525	2005
17	Rubber sleeve		500.0272	9010
17	Hose Ø 3.9x1.5	100 m	109.0011	4050
17	Hose clamp Ø 8.2 mm with ring (mark 8.7)	20 Pcs.	173.0005	9010
	BCS-25 compatible Oerlikon (Gas central NW 12)			
18	BCS-25 connecting module		773.0536	2005
18	Cable support housing		500.0218	9010
18	Cable support cover		500.0230	9010
18	Strain relief		400.0413	9010
18	Hose guide 1		500.0284	9010
18	Lock ring ND 31		400.0297	9010
18	Cable support spring		500.0227	9010
18	Pan head screw M4x6	20 Pcs.	000.0552	9010
18	Screw cap 2	20 Pcs.	500.0362	9010
18	Hose Ø 3.9x1.5	100 m	109.0011	4050
18	Hose clamp Ø 8.2 mm with ring (mark 8.7)	20 Pcs.	173.0005	9010
18	Hose clamp Ø 7.5 mm with ring (mark 8.0)	20 Pcs.	173.0007	9010
	BCS-26 compatible BSB 35-50 Lincoln (Gas central)			
19	BCS-26 connecting module		772.0516	2005

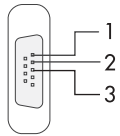
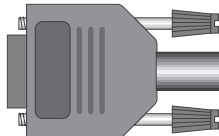
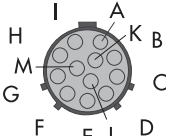

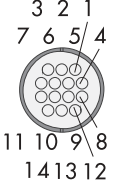
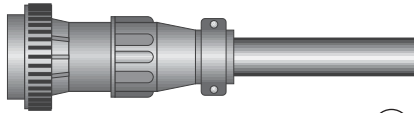
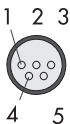
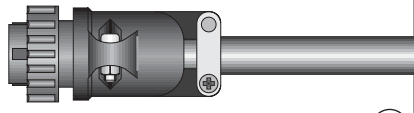

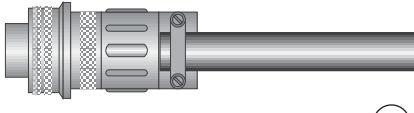
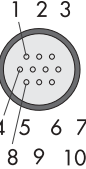
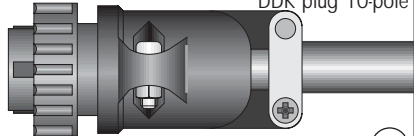

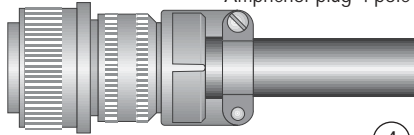
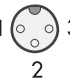
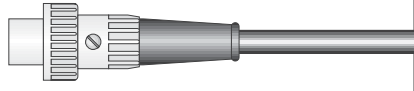
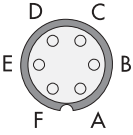
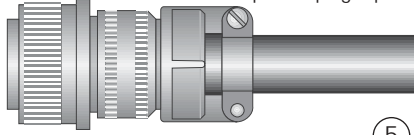

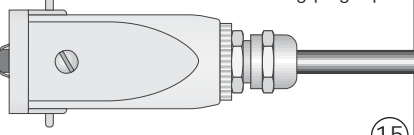
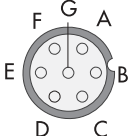
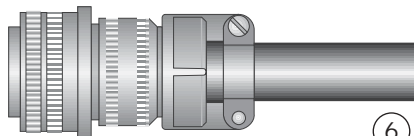
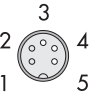
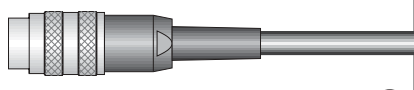
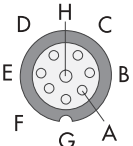
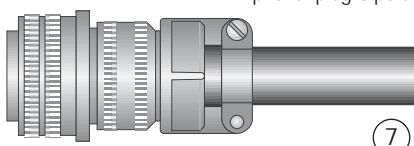

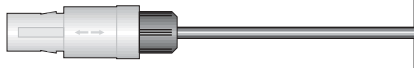
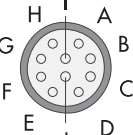
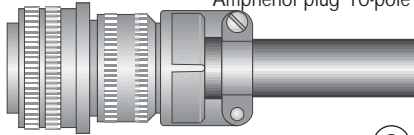
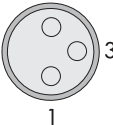
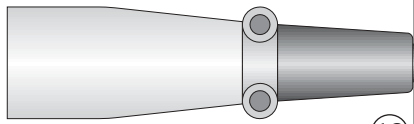
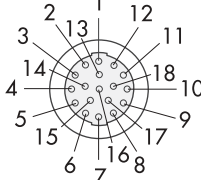
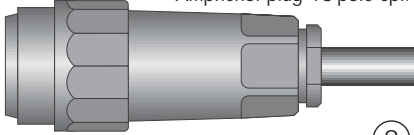
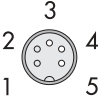
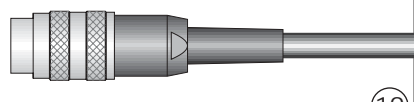
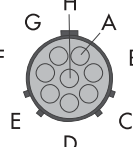
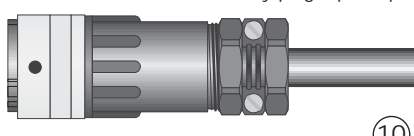
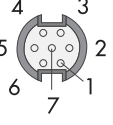
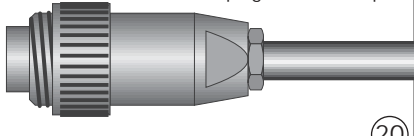
Notes



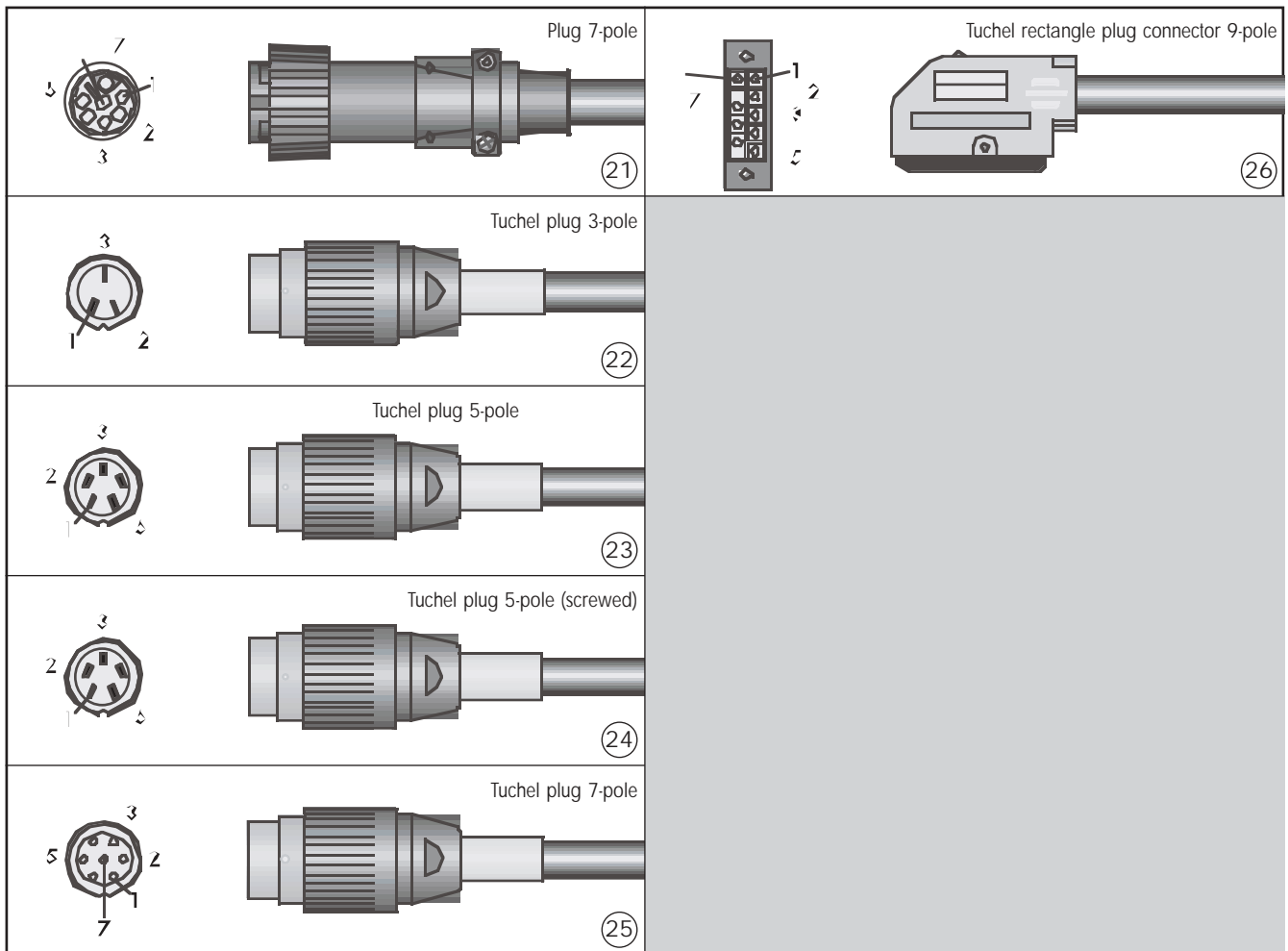
Control line plug **BLS**
adapted for all salable
TIG welding power
sources



Control line plug

	<p>AMP plug 9-pole cpl.</p>  <p>①</p>		<p>Burndy plug 12-pole cpl.</p>  <p>⑪</p>
	<p>AMP plug 14-pole cpl.</p>  <p>②</p>		<p>DDK plug 5-pole</p>  <p>⑫</p>
	<p>Amphenol plug 2-pole</p>  <p>③</p>		<p>DDK plug 10-pole</p>  <p>⑬</p>
	<p>Amphenol plug 4-pole</p>  <p>④</p>		<p>Dioden plug 3-pole</p>  <p>⑭</p>
	<p>Amphenol plug 6-pole</p>  <p>⑤</p>		<p>Harting plug 6-pole</p>  <p>⑮</p>
	<p>Amphenol plug 7-pole (Z-version)</p>  <p>⑥</p>		<p>Cable plug 5-pole</p>  <p>⑯</p>
	<p>Amphenol plug 8-pole</p>  <p>⑦</p>		<p>Redel plug 2-pole</p>  <p>⑰</p>
	<p>Amphenol plug 10-pole</p>  <p>⑧</p>		<p>Round plug connector 3-pole</p>  <p>⑱</p>
	<p>Amphenol plug 18-pole cpl.</p>  <p>⑨</p>		<p>Round plug connector 5-pole</p>  <p>⑲</p>
	<p>Burndy plug 8-pole cpl.</p>  <p>⑩</p>		<p>Round plug connector 7-pole</p>  <p>⑳</p>

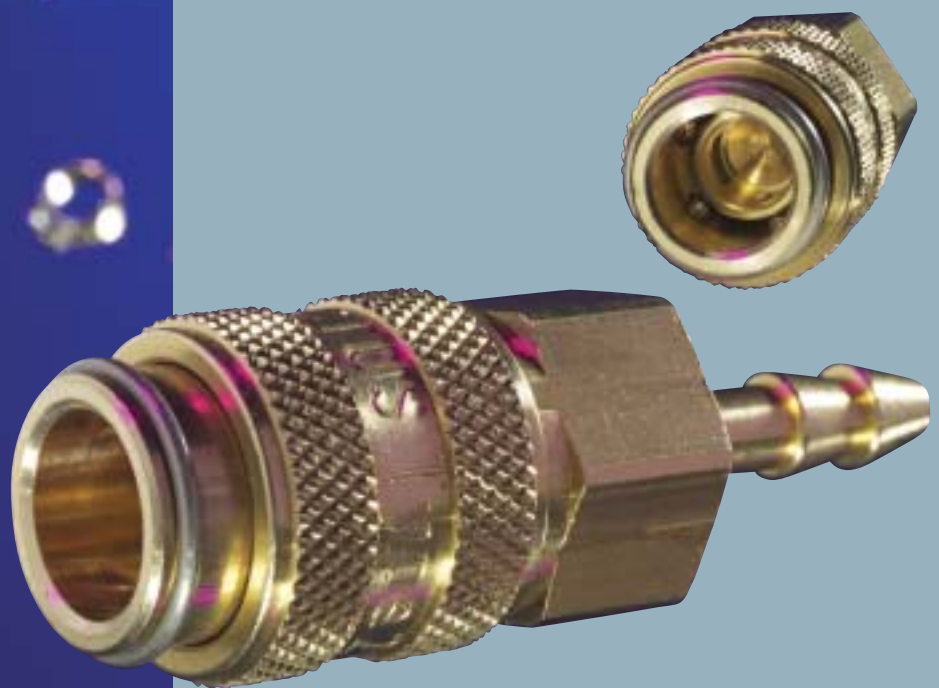
Control line plug



Pos.	Description	Units	Part-No.	Product-group
1	AMP plug 9-pole cpl.		175.0403	9010
2	AMP plug 14-pole cpl.		175.0404	9010
3	Amphenol plug 2-pole		175.0067	9010
4	Amphenol plug 4-pole		175.0006	9010
5	Amphenol plug 6-pole		175.0005	9010
6	Amphenol plug 7-pole (Z-version)		175.0382	9010
7	Amphenol plug 8-pole		175.0247	9010
8	Amphenol plug 10-pole		175.0064	9010
9	Amphenol plug 18-pole cpl.		175.0405	9010
10	Burndy plug 8-pole cpl.		175.0406	9010
11	Burndy plug 12-pole cpl.		175.0407	9010
12	DDK plug 5-pole		175.0343	9010
13	DDK plug 10-pole		175.0344	9010
14	Dioden plug 3-pole		175.0290	9010
15	Harting plug 6-pole		175.0301	9010
16	Cable plug 5-pole		175.0063	9010
17	Redel plug 2-pole		175.0400	9010
18	Round plug connector 3-pole		175.0341	9010
19	Round plug connector 5-pole		175.0377	9010
20	Round plug connector 7-pole		175.0155	9010
21	Plug 7-pole		175.0249	9010
22	Tuchel plug 3-pole		175.0009	9010
23	Tuchel plug 5-pole		175.0011	9010
24	Tuchel plug 5-pole (screwed)		175.0012	9010
25	Tuchel plug 7-pole		175.0273	9010
26	Tuchel rectangle plug connector 9-pole		175.0046	9010

Notes

Hose connection
components **BHC**
for connections on the
machine side
air- and liquid-cooled



TIG Welding Torches

ABITIG® with rotary valve

air-cooled

- Rotary valve for regulating gas directly on the torch body
- Light and flexible cable assemblies for all salable TIG welding power sources
- Consumables compatible to the international standard



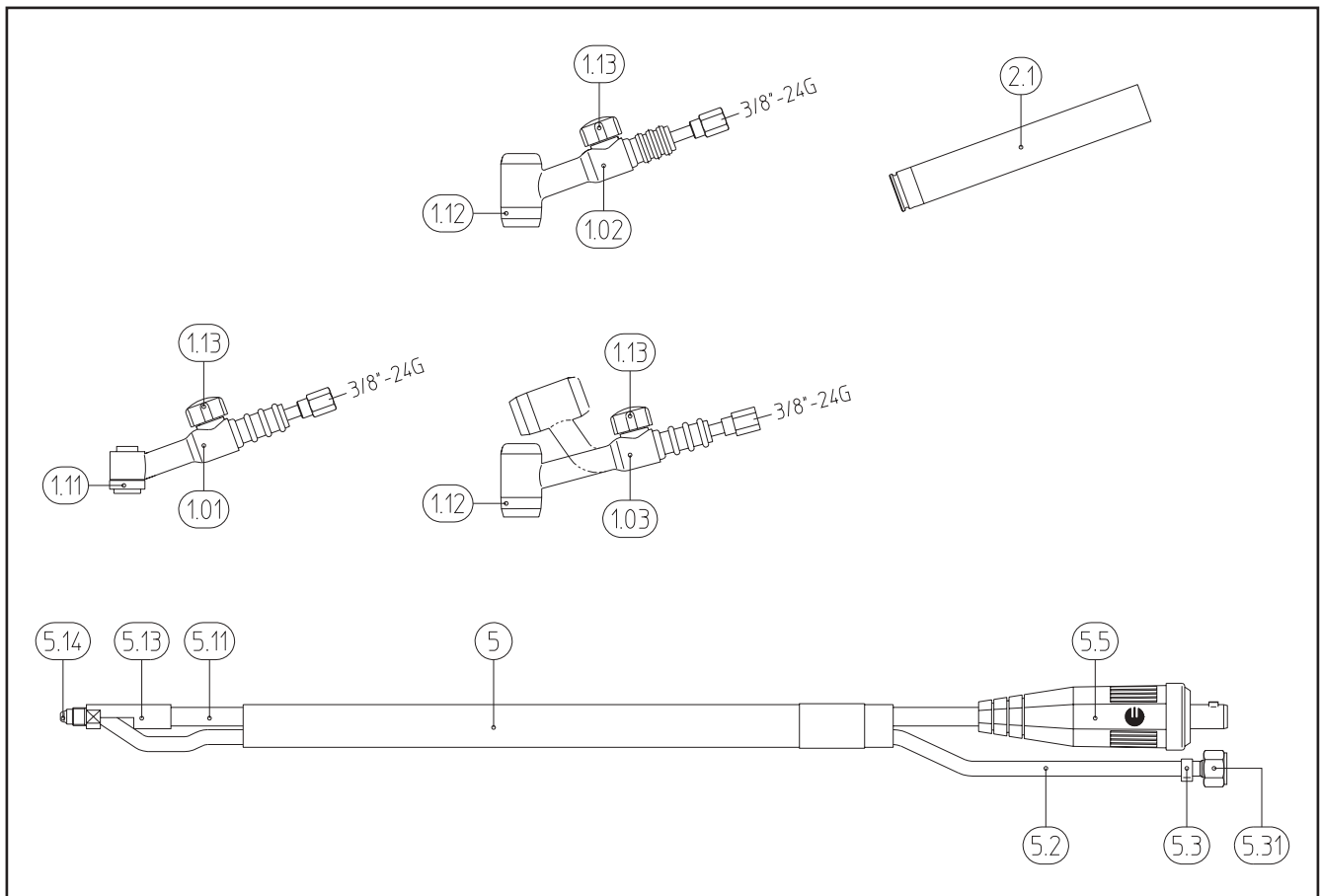
Technical data
(EN 60 974-7)

TIG-Welding Torch "ABITIG®" with rotary valve (air-cooled)

Type	Rating (A)		Duty cycle (%)	Tungsten electrode- ϕ (mm)
	DC	AC		
ABITIG® 9 V	110	80	35	0.5 - 1.6
ABITIG® 17 V / 17 FV	140	100	35	0.5 - 2.4
ABITIG® 26 V / 26 FV	180	130	35	0.5 - 4.0

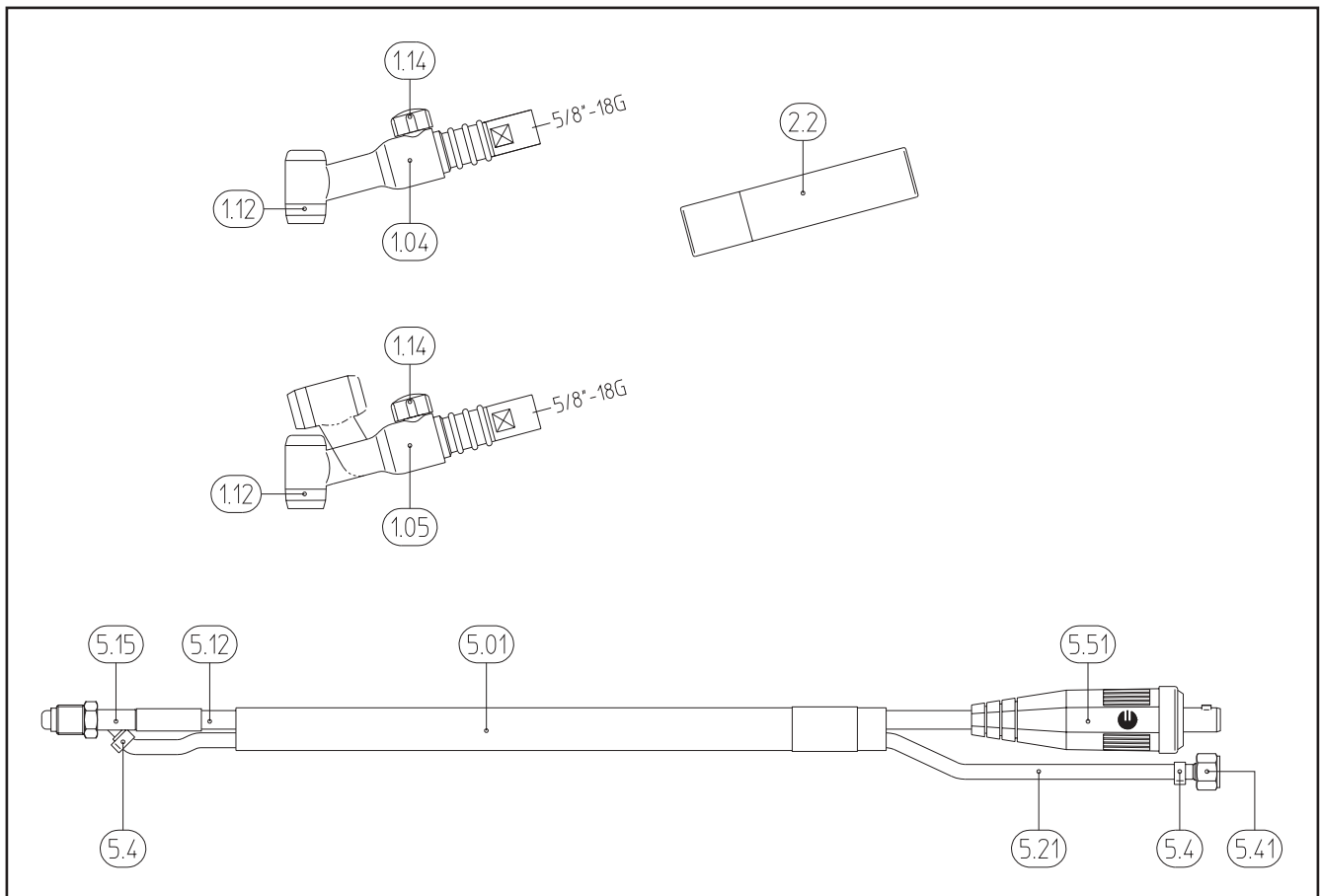
F=Flexible. Subject to change without notice.

TIG Welding torch ABITIG® 9 V / 17 V / 17 FV



Pos.	Description	Units	Part-No.	Product-group
	Torch			
	ABITIG® 9 V; with valve; plug 10-25; 4.00 m long		706.5057	2011
	ABITIG® 9 V; with valve; plug 10-25; 8.00 m long		706.5058	2011
	ABITIG® 17 V; with valve; plug 10-25; 4.00 m long		706.1057	2011
	ABITIG® 17 V; with valve; plug 10-25; 8.00 m long		706.1058	2011
	ABITIG® 17 V; with valve; plug 35-50; 4.00 m long		706.1037	2011
	ABITIG® 17 V; with valve; plug 35-50; 8.00 m long		706.1038	2011
	ABITIG® 17 FV; with valve; plug 10-25; 4.00 m long		706.1157	2011
	ABITIG® 17 FV; with valve; plug 10-25; 8.00 m long		706.1158	2011
	ABITIG® 17 FV; with valve; plug 35-50; 4.00 m long		706.1137	2011
	ABITIG® 17 FV; with valve; plug 35-50; 8.00 m long		706.1138	2011
	Torch body			
1.01	Torch body ABITIG® 9 V		705.0007	2002
1.02	Torch body ABITIG® 17 V		705.0038	2002
1.03	Torch body ABITIG® 17 FV (flexible)		703.0010	2002
1.11	Insulating ring	10 Pcs.	702.0055	2003
1.12	Insulating ring	10 Pcs.	703.0012	2003
1.13	Valve ABITIG® 9 V / 17 V / 17 FV		705.0046	2005
	Handle			
2.1	Handle tube ABITIG® 9 V / ABITIG® 17 V / ABITIG® 17 FV		705.1440	2005
	Cable assembly			
5	Outer cover rubber Ø 20x1.5	80 m	105.0005	4050
5.11	Power cable ABITIG® 9 V / 17 V / 17 FV	100 m	113.0003	4001
5.13	Hose connector for 3/8"-24G	10 Pcs.	717.0015	2005
5.14	Powerfitting 3/8"-24G		717.0014	2005
5.2	Hose Ø 3x1.5	100 m	102.0124	4050
5.3	Hose clamp Ø 7.5 mm with ring (mark 8.0)	20 Pcs.	173.0007	9010
5.31	Coupling nut G 1/4"	10 Pcs.	500.0082	9010

TIG Welding torch ABITIG® 26 V / 26 FV



Pos.	Description	Units	Part-No.	Product-group
	Torch			
	ABITIG® 26 V; with valve; plug 35-50; 4.00 m long		706.4037	2011
	ABITIG® 26 V; with valve; plug 35-50; 8.00 m long		706.4038	2011
	ABITIG® 26 FV; with valve; plug 35-50; 4.00 m long		706.4137	2011
	ABITIG® 26 FV; with valve; plug 35-50; 8.00 m long		706.4138	2011
	Torch body			
1.04	Torch body ABITIG® 26 V		705.0091	2002
1.05	Torch body ABITIG® 26 FV (flexible)		703.0290	2002
1.12	Insulating ring	10 Pcs.	703.0012	2003
1.14	Valve ABITIG® 26 V / 26 FV		705.0097	2005
	Handle			
2.2	Handle tube		705.0096	2005
	Cable assembly			
5.01	Outer cover rubber Ø 25x1.5	40 m	105.0019	4050
5.12	Power cable ABITIG® 26 V / 26 FV	100 m	113.0012	4001
5.15	Cable support 5/8"-18G		726.0002	2005
5.21	Hose 30 black Ø 4.9x1.5	100 m	109.0040	4050
5.4	Hose clamp Ø 9.0 mm with ring (mark 9.5)	20 Pcs.	173.0001	9010
5.41	Hose connector G 1/4"	10 Pcs.	500.0087	9010
5.41	Coupling nut G 1/4"	10 Pcs.	500.0082	9010
5.51	BCC-2 (compatible 35-50) cpl. for ABITIG® 26 V / 26 FV		511.0150	4001
5.51	Rubber sleeve		500.0300	4001
5.51	Cable support		511.0128	4001
5.51	Screw		511.0132	4001

TIG Automatic Welding Torches

AUT-WIG & ABITIG® MT air- and liquid-cooled

- Compact design
- Light and flexible cable assemblies for all salable TIG welding power sources
- Consumables (AUT-WIG) compatible to the international standard
- ABITIG® MT with pre-adjustable tungsten electrode
- Especially suitable for welds at components with simple geometries

AUT-WIG 20 G

ABITIG®-MT 300 W

■ Adjustable tungsten electrode

Technical data

(EN 60 974-7)

TIG Automatic Welding Torch "AUT-WIG" (air- and liquid-cooled)

Type	Cooling	Rating (A)		Duty cycle (%)	Tungsten electrode-ø (mm)
		DC	AC		
AUT-WIG 20 G	air-cooled	200	180	60	0.5 - 3.2
AUT-WIG 200 W	liquid-cooled	220	200	100	0.5 - 3.2
AUT-WIG 400 W	liquid-cooled	400	320	100	0.5 - 4.0

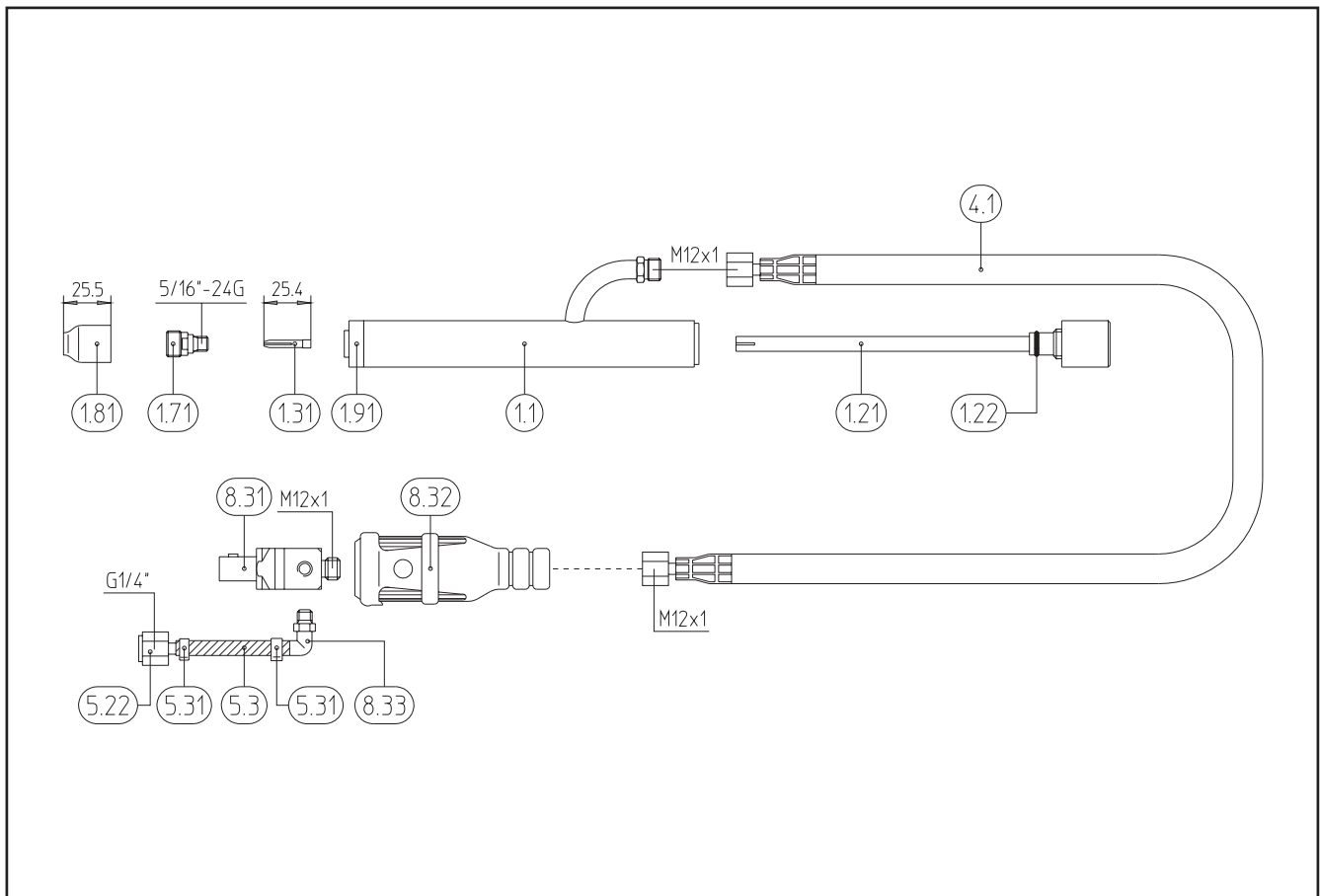
Subject to change without notice.

TIG Automatic Welding Torch "ABITIG®-MT" (air- and liquid-cooled)

Type	Cooling	Rating (A)		Duty cycle (%)	Tungsten electrode-ø (mm)
		DC	AC		
ABITIG®-MT 200	air-cooled	200	140	60	1.0 - 4.8
ABITIG®-MT 300 W	liquid-cooled	320	230	100	1.6 - 4.8

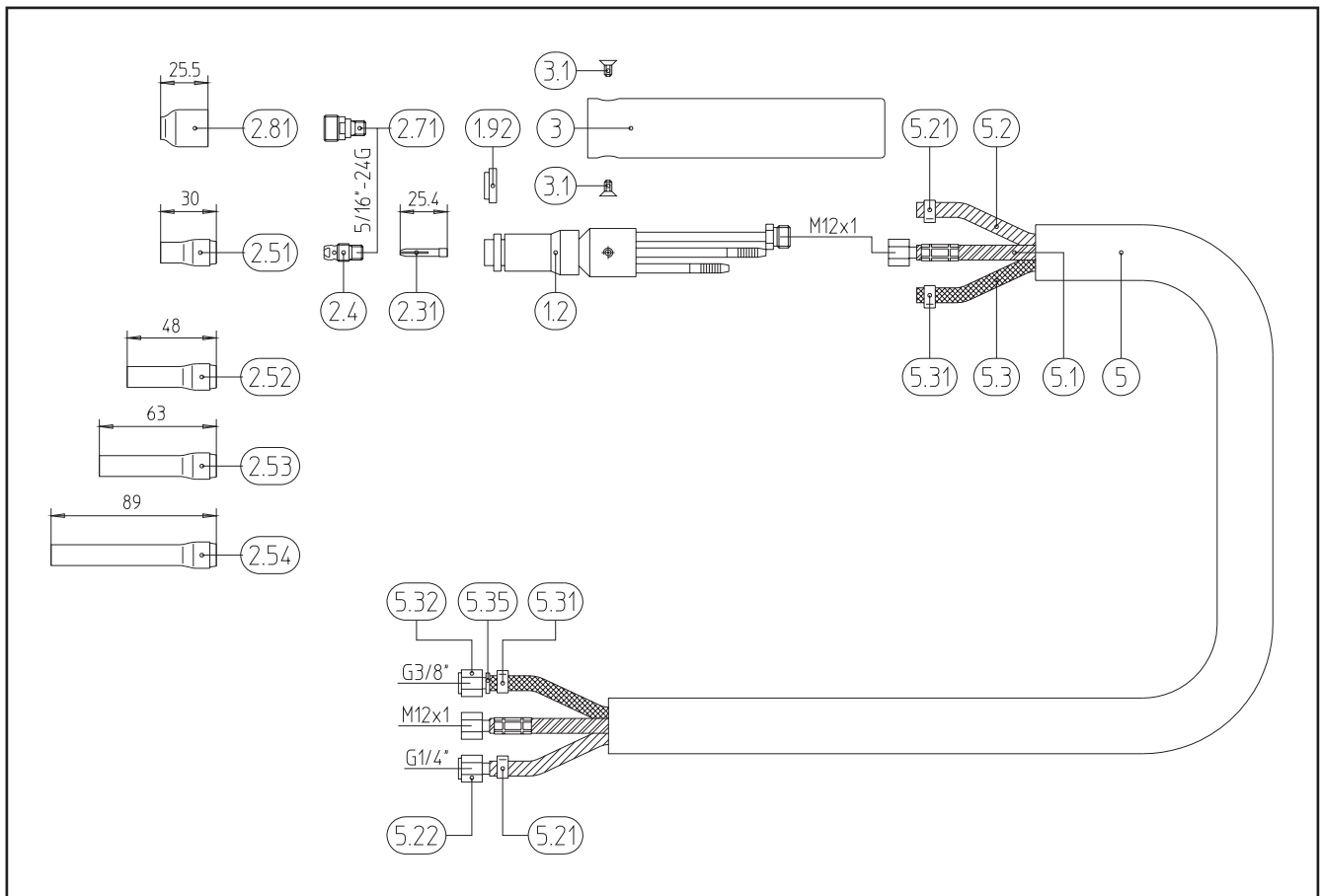
Subject to change without notice.

TIG Automatic Welding Torch AUT-WIG 20 G



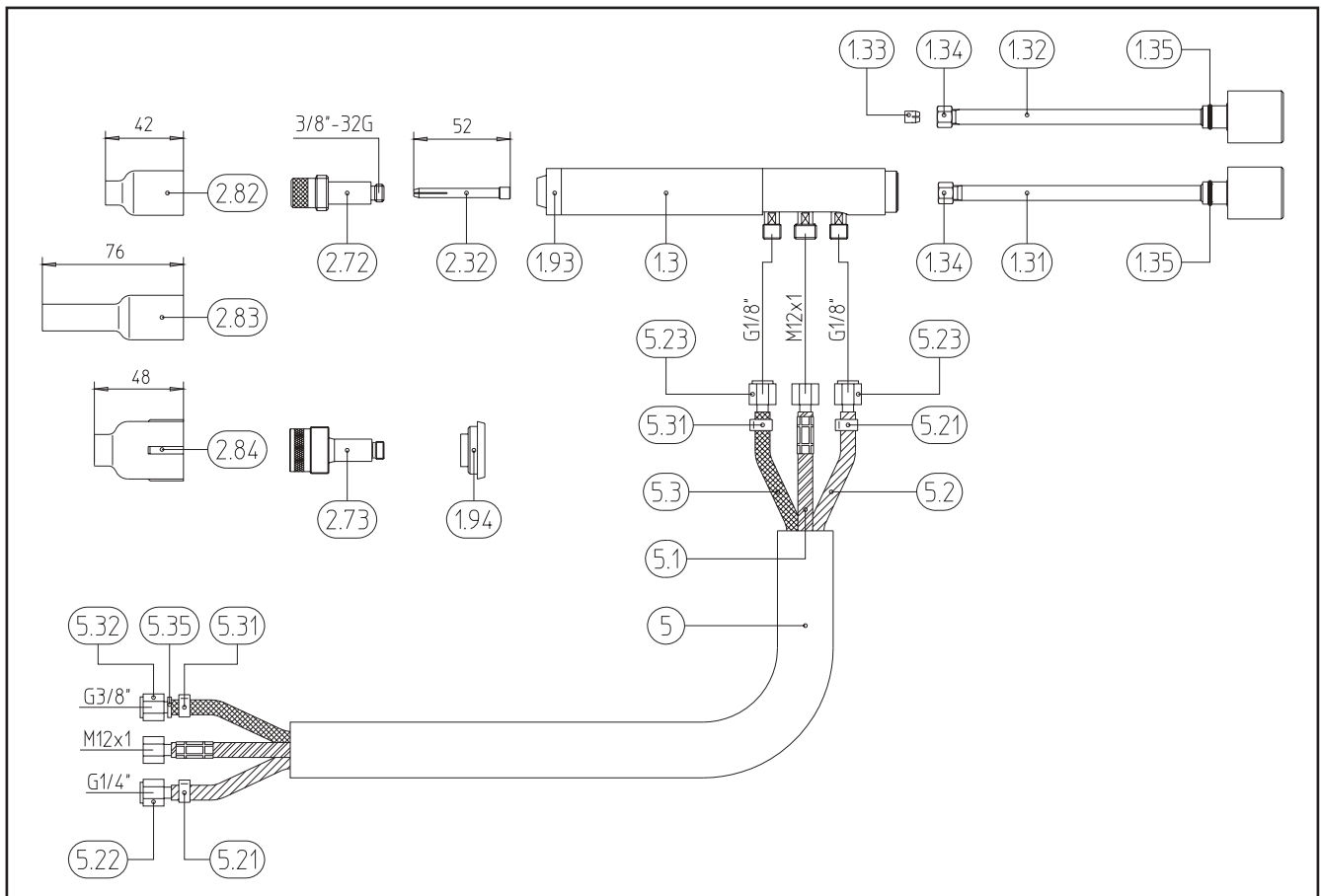
Pos.	Description	Units	Part-No.	Product-group
Torch				
	AUT-WIG 20 G; with BSB 35-50; 4.00 m long		791.0097	2015
	AUT-WIG 20 G; with BSB 35-50; 8.00 m long		791.0101	2015
Torch body				
1.1	Torch body AUT-WIG 20 G with guide tube		791.0069	2002
1.1	Torch body AUT-WIG 20 G without guide tube		791.0079	2002
1.21	Guide tube cpl. AUT-TIG 20 G		791.0078	2005
1.22	O-Ring 9x2	20 Pcs.	165.0030	9010
1.91	Insulator	5 Pcs.	791.0098	2003
Wear parts				
2.31	Collet for electrode Ø 0.5 mm; 25.4 mm long; (13N20)	10 Pcs.	701.0249	2007
2.31	Collet for electrode Ø 1.0 mm; 25.4 mm long; (13N21)	10 Pcs.	701.0250	2007
2.31	Collet for electrode Ø 1.2 mm; 25.4 mm long	10 Pcs.	701.0254	2007
2.31	Collet for electrode Ø 1.6 mm; 25.4 mm long; (13N22)	10 Pcs.	701.0251	2007
2.31	Collet for electrode Ø 2.0 mm; 25.4 mm long	10 Pcs.	701.0255	2007
2.31	Collet for electrode Ø 2.4 mm; 25.4 mm long; (13N23)	10 Pcs.	701.0252	2007
2.31	Collet for electrode Ø 3.2 mm; 25.4 mm long; (13N24)	10 Pcs.	701.0253	2007
2.71	Collet body for electrode with gas lens Ø 0.5 - 1.0 mm; (45V41 / 45V42)	10 Pcs.	701.0301	2008
2.71	Collet body for electrode with gas lens Ø 1.2 mm	10 Pcs.	701.0313	2008
2.71	Collet body for electrode with gas lens Ø 1.6 mm; (45V43)	10 Pcs.	701.0307	2008
2.71	Collet body for electrode with gas lens Ø 2.0 mm	10 Pcs.	701.0315	2008
2.71	Collet body for electrode with gas lens Ø 2.4 mm; (45V44)	10 Pcs.	701.0309	2008
2.71	Collet body for electrode with gas lens Ø 3.2 mm; (45V45)	10 Pcs.	701.0311	2008
2.81	Ceramic gas nozzle; no. 4; Ø 6.5 mm; 25.5 mm long; (53N58)	10 Pcs.	701.0317	2004
2.81	Ceramic gas nozzle; no. 5; Ø 8.0 mm; 25.5 mm long; (53N59)	10 Pcs.	701.0318	2004
2.81	Ceramic gas nozzle; no. 6; Ø 9.5 mm; 25.5 mm long; (53N60)	10 Pcs.	701.0319	2004
2.81	Ceramic gas nozzle; no. 7; Ø 11.0 mm; 25.5 mm long; (53N61)	10 Pcs.	701.0320	2004

TIG Automatic Welding Torch AUT-WIG 200 W



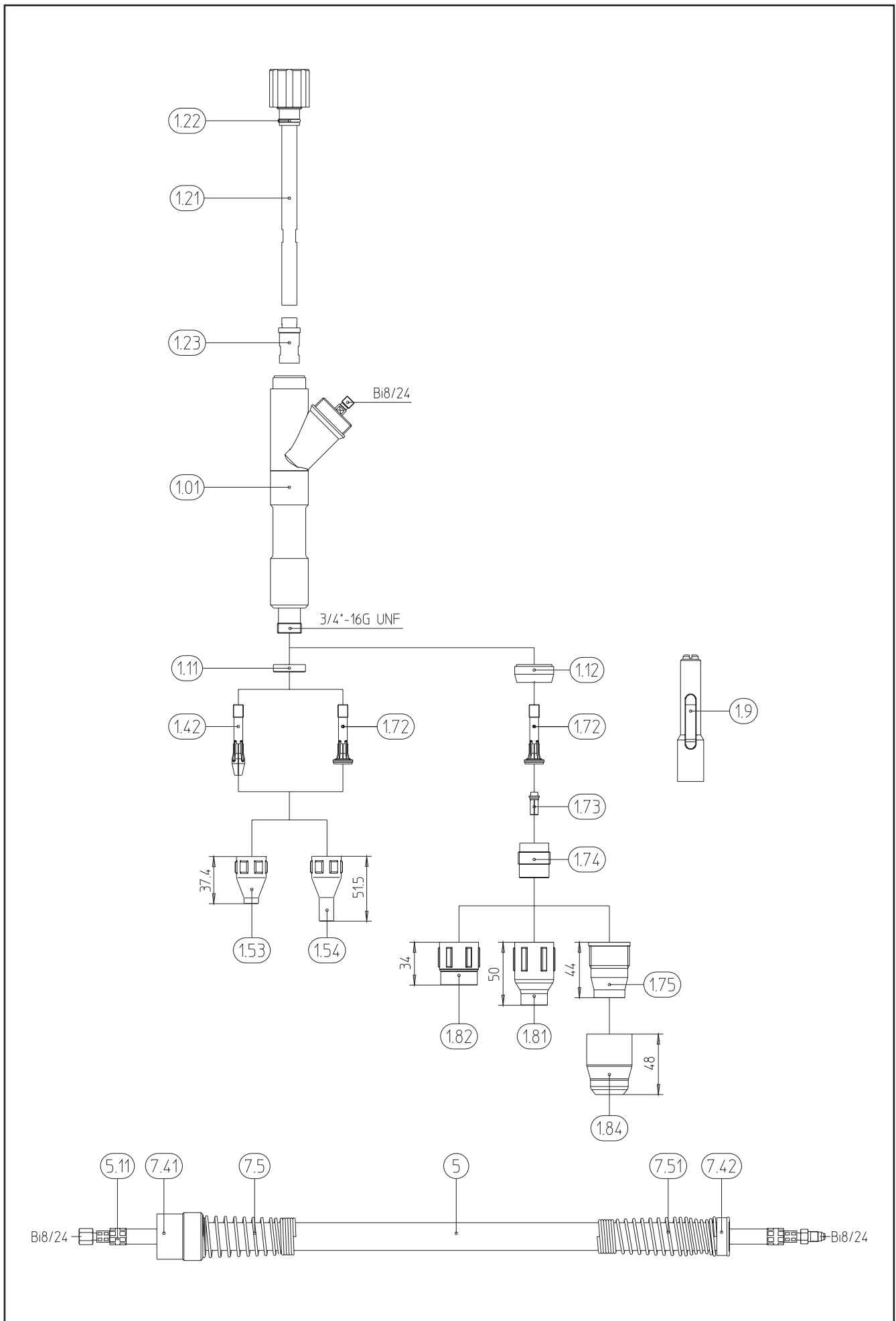
Pos.	Description	Units	Part-No.	Product-group
	Torch			
	AUT-WIG 200 W; with single connection; 4.00 m long		791.0082	2015
	AUT-WIG 200 W; with single connection; 8.00 m long		791.0083	2015
	Torch body			
1.2	Torch body AUT-WIG 200 W		791.0013	2002
1.92	Insulating ring	10 Pcs.	702.0055	2003
	Wear parts			
2.31	Collet for electrode Ø 0.5 mm; 25.4 mm long; (13N20)	10 Pcs.	701.0249	2007
2.31	Collet for electrode Ø 1.0 mm; 25.4 mm long; (13N21)	10 Pcs.	701.0250	2007
2.31	Collet for electrode Ø 1.2 mm; 25.4 mm long	10 Pcs.	701.0254	2007
2.31	Collet for electrode Ø 1.6 mm; 25.4 mm long; (13N22)	10 Pcs.	701.0251	2007
2.31	Collet for electrode Ø 2.0 mm; 25.4 mm long	10 Pcs.	701.0255	2007
2.31	Collet for electrode Ø 2.4 mm; 25.4 mm long; (13N23)	10 Pcs.	701.0252	2007
2.31	Collet for electrode Ø 3.2 mm; 25.4 mm long; (13N24)	10 Pcs.	701.0253	2007
2.4	Collet body for electrode Ø 0.5 - 1.0 mm; (13N26)	10 Pcs.	701.0275	2008
2.4	Collet body for electrode Ø 1.2 mm	10 Pcs.	701.0279	2008
2.4	Collet body for electrode Ø 1.6 mm; (13N27)	10 Pcs.	701.0276	2008
2.4	Collet body for electrode Ø 2.0 mm	10 Pcs.	701.0280	2008
2.4	Collet body for electrode Ø 2.4 mm; (13N28)	10 Pcs.	701.0277	2008
2.4	Collet body for electrode Ø 3.2 mm; (13N29)	10 Pcs.	701.0278	2008
2.51	Ceramic gas nozzle; no. 4; Ø 6.5 mm; 30.0 mm long; (13N08)	10 Pcs.	701.0281	2004
2.51	Ceramic gas nozzle; no. 5; Ø 8.0 mm; 30.0 mm long; (13N09)	10 Pcs.	701.0282	2004
2.51	Ceramic gas nozzle; no. 6; Ø 9.5 mm; 30.0 mm long; (13N10)	10 Pcs.	701.0283	2004
2.51	Ceramic gas nozzle; no. 7; Ø 11.0 mm; 30.0 mm long; (13N11)	10 Pcs.	701.0284	2004
2.51	Ceramic gas nozzle; no. 8; Ø 12.5 mm; 30.0 mm long; (13N12)	10 Pcs.	701.0285	2004
2.51	Ceramic gas nozzle; no. 10; Ø 16.0 mm; 30.0 mm long; (13N13)	10 Pcs.	701.0286	2004
2.52	Ceramic gas nozzle; no. 4; Ø 6.5 mm; 48.0 mm long; (796F71)	10 Pcs.	701.0289	2004
2.52	Ceramic gas nozzle; no. 5; Ø 8.0 mm; 48.0 mm long; (796F72)	10 Pcs.	701.0290	2004

TIG Automatic Welding Torch AUT-WIG 400 W



Pos.	Description	Units	Part-No.	Product-group
Torch				
	AUT-WIG 400 W; with single connection; 4.00 m long		791.0085	2015
	AUT-WIG 400 W; with single connection; 8.00 m long		791.0086	2015
Torch body				
1.3	Torch body AUT-WIG 400 W with guide tube		791.0047	2002
1.3	Torch body AUT-WIG 400 W without guide tube		791.0063	2002
1.31	Guide tube cpl. AUT-TIG 400 W		791.0062	2005
1.32	Guide tube cpl. AUT-WIG 400 W for eletrode-preattunement		791.0199	2005
1.33	Clamping element 1.6		791.0202	2005
1.33	Clamping element 2.4		791.0203	2005
1.33	Clamping element 3.2		791.0204	2005
1.34	Coupling nut M8x0.75	10 Pcs.	791.0064	2005
1.35	O-Ring 9x2	20 Pcs.	165.0030	9010
1.93	Insulator	10 Pcs.	791.0054	2003
1.94	Insulator big		791.0231	2003
Wear parts				
2.32	Collet for electrode Ø 0.5 mm; 52.0 mm long; (10N21D)	10 Pcs.	701.0169	2007
2.32	Collet for electrode Ø 1.0 mm; 52.0 mm long; (10N22D)	10 Pcs.	701.0171	2007
2.32	Collet for electrode Ø 1.2 mm; 52.0 mm long	10 Pcs.	701.0170	2007
2.32	Collet for electrode Ø 1.6 mm; 52.0 mm long; (10N23D)	10 Pcs.	701.0172	2007
2.32	Collet for electrode Ø 2.0 mm; 52.0 mm long	10 Pcs.	701.0176	2007
2.32	Collet for electrode Ø 2.4 mm; 52.0 mm long; (10N24D)	10 Pcs.	701.0173	2007
2.32	Collet for electrode Ø 3.2 mm; 52.0 mm long; (10N25D)	10 Pcs.	701.0174	2007
2.32	Collet for electrode Ø 4.0 mm; 52.0 mm long; (54N20D)	10 Pcs.	701.0175	2007
2.72	Collet body for electrode with gas lens Ø 0.5 - 1.0 mm; (45V24)	10 Pcs.	701.0201	2008
2.72	Collet body for electrode with gas lens Ø 1.6 mm; (45V25)	10 Pcs.	701.0203	2008
2.72	Collet body for electrode with gas lens Ø 2.0 - 2.4 mm; (45V26)	10 Pcs.	701.0207	2008
2.72	Collet body for electrode with gas lens Ø 3.2 mm; (45V27)	10 Pcs.	701.0209	2008

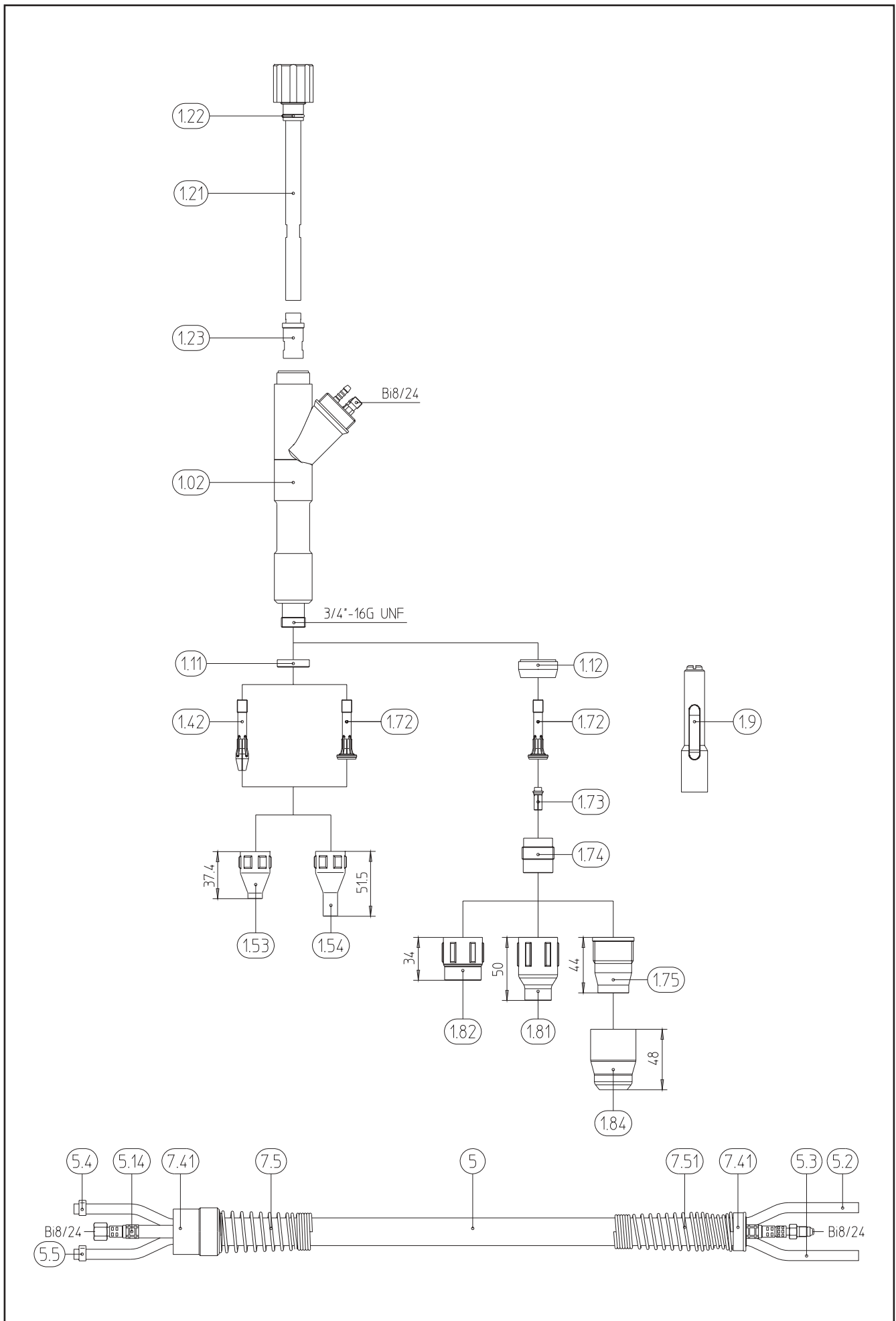
TIG Automatic Welding Torch ABITIG®-MT 200



TIG Automatic Welding Torch ABITIG®-MT 200

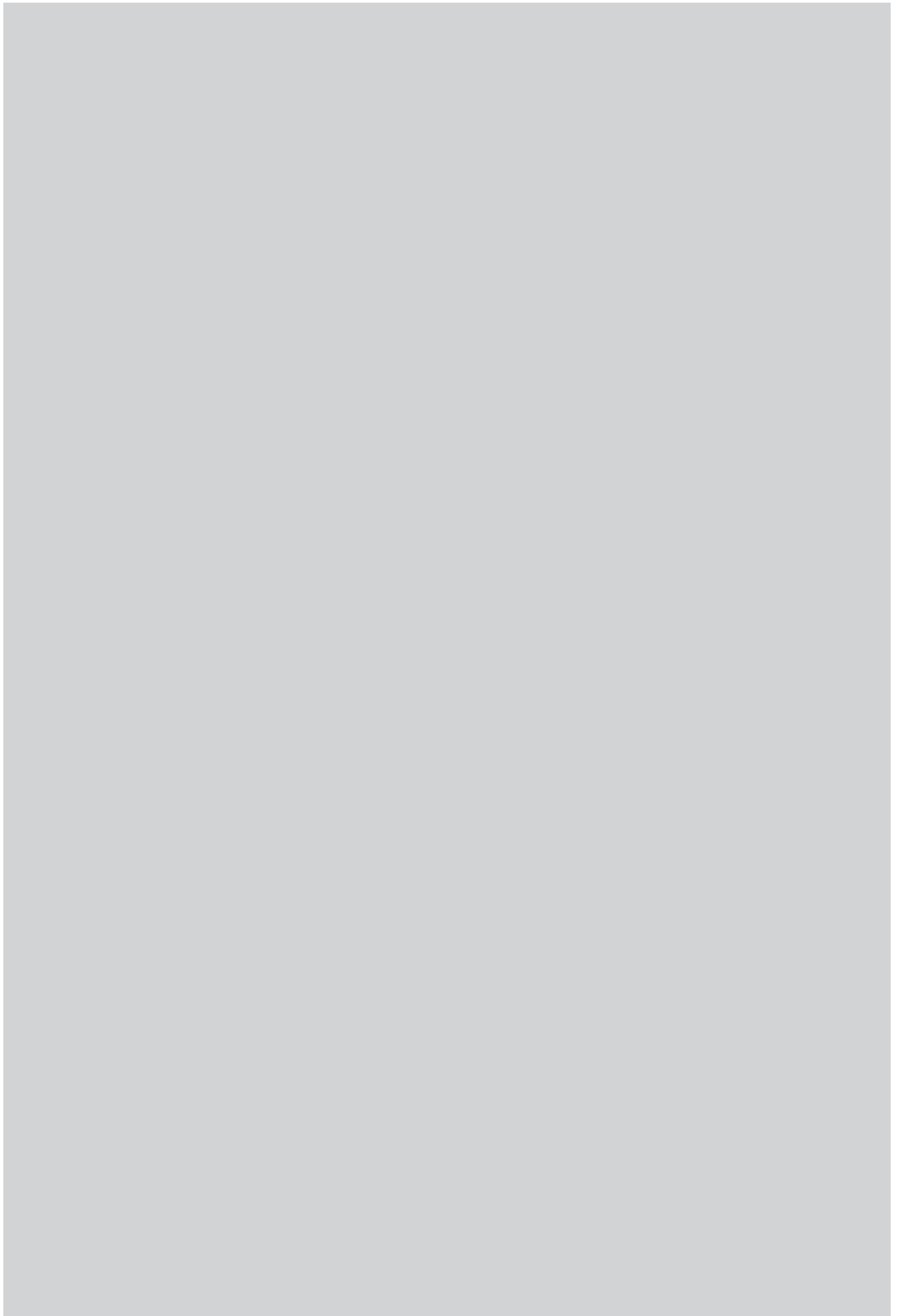
Pos.	Description	Units	Part-No.	Product-group
	Torch body			
1.01	Torch body ABITIG® 200 MT		778.2020	2532
1.11	Insulator		775.1043	2555
1.12	Insulator for gas diffusor 4		775.1143	2555
1.21	Guide tube cpl. ABITIG® 200 MT / ABITIG® 300 W MT		778.1030	2555
1.22	O-Ring 13.46x2.08	20 Pcs.	165.0079	9010
1.23	Collet		778.1140	2555
	Wear parts			
1.42	Electrode holder for electrode WE Ø 1.6 mm	5 Pcs.	775.0062	2548
1.42	Electrode holder for electrode WE Ø 2.4 mm	5 Pcs.	775.0063	2548
1.42	Electrode holder for electrode WE Ø 3.2 mm	5 Pcs.	775.0064	2548
1.42	Electrode holder for electrode WE Ø 4.0 mm	5 Pcs.	775.0065	2548
1.42	Electrode holder for electrode WE Ø 4.8 mm	5 Pcs.	775.0066	2548
1.53	Ceramic gas nozzle 37.4 mm; ND 7.5 mm	10 Pcs.	775.0081	2541
1.53	Ceramic gas nozzle 37.4 mm; ND 10.5 mm	10 Pcs.	775.0082	2541
1.53	Ceramic gas nozzle 37.4 mm; ND 13.0 mm	10 Pcs.	775.0083	2541
1.53	Ceramic gas nozzle 37.4 mm; ND 15.0 mm	10 Pcs.	775.0084	2541
1.54	Ceramic gas nozzle 51.5 mm; ND 7.5 mm	10 Pcs.	775.2171	2541
1.54	Ceramic gas nozzle 51.5 mm; ND 10.0 mm	10 Pcs.	775.2172	2541
1.54	Ceramic gas nozzle 51.5 mm; ND 13.0 mm	10 Pcs.	775.2173	2541
1.54	Ceramic gas nozzle 51.5 mm; ND 16.0 mm	10 Pcs.	775.2174	2541
1.72	Gas diffuser for electrode WE-Ø 1.0 mm		773.0171	2548
1.72	Gas diffuser for electrode WE-Ø 1.6 mm		773.0172	2548
1.72	Gas diffuser for electrode WE-Ø 2.4 mm		773.0173	2548
1.72	Gas diffuser for electrode WE-Ø 3.2 mm		773.0174	2548
1.72	Gas diffuser for electrode WE-Ø 4.0 mm		773.0175	2548
1.72	Gas diffuser for electrode WE-Ø 4.8 mm		773.0176	2548
1.73	Adaptor part WE-Ø 1.6 mm		778.1142	2555
1.73	Adaptor part WE-Ø 2.4 mm		778.1143	2555
1.73	Adaptor part WE-Ø 3.2 mm		778.1144	2555
1.73	Adaptor part WE-Ø 4.0 mm		778.1145	2555
1.73	Adaptor part WE-Ø 4.8 mm		778.1146	2555
1.74	Gas diffuser 4-MT for electrode WE-Ø 1.6 - 4.8 mm		778.1148	2548
w/o. fig.	Sieve		778.1109	2555
w/o. fig.	Retaining ring		775.0108	2555
1.75	Ceramic adaptor		778.1185	2541
1.81	Ceramic gas nozzle 50 mm; ND 12.5 mm	10 Pcs.	778.1183	2541
1.81	Ceramic gas nozzle 50 mm; ND 16.0 mm	10 Pcs.	778.1184	2541
1.81	Ceramic gas nozzle 50 mm; ND 19.5 mm	10 Pcs.	778.1188	2541
1.82	Ceramic gas nozzle 34 mm; ND 24.0 mm	10 Pcs.	778.1189	2541
1.84	Gas nozzle metal 48 mm; ND 16.0 mm		778.1186	2541
1.84	Gas nozzle metal 48 mm; ND 19.0 mm		778.1187	2541
	Accessories			
1.9	Alignment jig		778.1157	2555
	Cable assembly			
5	Outer cover Ø 18x1.5	60 m	109.0019	4050
5.11	Power cable High Flex (ABITIG® MT) for 4.00 m		150.0175	2555
7.41	Strain relief ERGO		400.0412	9010
7.42	Strain relief		500.0252	9010
7.5	Cable support spring		775.1341	2555
7.51	Cable support spring		500.0226	9010

TIG Automatic Welding Torch ABITIG®-MT 300 W



TIG Automatic Welding Torch ABITIG®-MT 300 W

Pos.	Description	Units	Part-No.	Product-group
	Torch body			
1.02	Torch body ABITIG® 300W MT		779.2020	2532
1.11	Insulator		775.1043	2555
1.12	Insulator for gas diffusor 4		775.1143	2555
1.21	Guide tube cpl. ABITIG® 200 MT / ABITIG® 300 W MT		778.1030	2555
1.22	O-Ring 13.46x2.08	20 Pcs.	165.0079	9010
1.23	Collet		778.1140	2555
	Wear parts			
1.42	Electrode holder for electrode WE Ø 1.6 mm	5 Pcs.	775.0062	2548
1.42	Electrode holder for electrode WE Ø 2.4 mm	5 Pcs.	775.0063	2548
1.42	Electrode holder for electrode WE Ø 3.2 mm	5 Pcs.	775.0064	2548
1.42	Electrode holder for electrode WE Ø 4.0 mm	5 Pcs.	775.0065	2548
1.42	Electrode holder for electrode WE Ø 4.8 mm	5 Pcs.	775.0066	2548
1.53	Ceramic gas nozzle 37.4 mm; ND 7.5 mm	10 Pcs.	775.0081	2541
1.53	Ceramic gas nozzle 37.4 mm; ND 10.5 mm	10 Pcs.	775.0082	2541
1.53	Ceramic gas nozzle 37.4 mm; ND 13.0 mm	10 Pcs.	775.0083	2541
1.53	Ceramic gas nozzle 37.4 mm; ND 15.0 mm	10 Pcs.	775.0084	2541
1.54	Ceramic gas nozzle 51.5 mm; ND 7.5 mm	10 Pcs.	775.2171	2541
1.54	Ceramic gas nozzle 51.5 mm; ND 10.0 mm	10 Pcs.	775.2172	2541
1.54	Ceramic gas nozzle 51.5 mm; ND 13.0 mm	10 Pcs.	775.2173	2541
1.54	Ceramic gas nozzle 51.5 mm; ND 16.0 mm	10 Pcs.	775.2174	2541
1.72	Gas diffuser for electrode WE-Ø 1.0 mm		773.0171	2548
1.72	Gas diffuser for electrode WE-Ø 1.6 mm		773.0172	2548
1.72	Gas diffuser for electrode WE-Ø 2.4 mm		773.0173	2548
1.72	Gas diffuser for electrode WE-Ø 3.2 mm		773.0174	2548
1.72	Gas diffuser for electrode WE-Ø 4.0 mm		773.0175	2548
1.72	Gas diffuser for electrode WE-Ø 4.8 mm		773.0176	2548
1.73	Adaptor part WE-Ø 1.6 mm		778.1142	2555
1.73	Adaptor part WE-Ø 2.4 mm		778.1143	2555
1.73	Adaptor part WE-Ø 3.2 mm		778.1144	2555
1.73	Adaptor part WE-Ø 4.0 mm		778.1145	2555
1.73	Adaptor part WE-Ø 4.8 mm		778.1146	2555
1.74	Gas diffuser 4-MT for electrode WE-Ø 1.6 - 4.8 mm		778.1148	2548
w/o. fig.	Sieve		778.1109	2555
w/o. fig.	Retaining ring		775.0108	2555
1.75	Ceramic adaptor		778.1185	2541
1.81	Ceramic gas nozzle 50 mm; ND 12.5 mm	10 Pcs.	778.1183	2541
1.81	Ceramic gas nozzle 50 mm; ND 16.0 mm	10 Pcs.	778.1184	2541
1.81	Ceramic gas nozzle 50 mm; ND 19.5 mm	10 Pcs.	778.1188	2541
1.82	Ceramic gas nozzle 34 mm; ND 24.0 mm	10 Pcs.	778.1189	2541
1.84	Gas nozzle metal 48 mm; ND 16.0 mm		778.1186	2541
1.84	Gas nozzle metal 48 mm; ND 19.0 mm		778.1187	2541
	Accessories			
1.9	Alignment jig		778.1157	2555
	Cable assembly			
5	Hose 10 black Ø 22.5x1.5	40 m	109.0020	4050
5.14	Power cable High Flex (ABITIG® MT) for 4.00 m		150.0175	2555
5.2	Hose Ø 3x1.5	100 m	102.0124	4050
5.3	Hose 3x1.5 High Flex	40 m	109.0059	4050
5.4	Hose clamp Ø 6.2 mm with ring (mark 6.6)	20 Pcs.	173.0006	9010
5.5	Hose clamp Ø 7.5 mm with ring (mark 8.0)	20 Pcs.	173.0007	9010
7.41	Strain relief		400.0413	9010
7.5	Cable support spring		775.1341	2555
7.51	Cable support spring		500.0227	9010



Tungsten electrodes (DIN EN 26 848)

All salable tungsten electrodes according to DIN EN 26 848 can be supplied ex stock.

Tungsten electrodes according to DIN EN 26 848:

Abbreviation	Concentration of alloy in % (min./max.)	Type	Colour code
WP	-	-	green
WT 10	0.9/1.2	ThO ₂	yellow
WT 20	1.8/2.2	ThO ₂	red
WT 40	3.8/4.2	ThO ₂	orange
WR 2	-	Mixed oxides	turquoise
WL 10	0.8/1,2	La ₂ O ₃	black
WL 15	1.3/1.7	La ₂ O ₃	gold
WL 20	1.8/2.2	La ₂ O ₃	blue
WC 20	1.8/2.2	CeO ₂	grey
WZ 8	0.7/0.9	ZrO ₂	white

For your order please request for our price list "Tungsten electrodes".



Tungsten electrodes

Pos.	Description	Units	Part-No.	Product-group
	Tungsten electrodes WP			
	Tungsten electrode WP / Ø 1.0 mm / 175 mm / colour code green	10 Pcs.	700.0003	2013
	Tungsten electrode WP / Ø 1.6 mm / 175 mm / colour code green	10 Pcs.	700.0007	2013
	Tungsten electrode WP / Ø 2.0 mm / 175 mm / colour code green	10 Pcs.	700.0009	2013
	Tungsten electrode WP / Ø 2.4 mm / 175 mm / colour code green	10 Pcs.	700.0012	2013
	Tungsten electrode WP / Ø 3.0 mm / 175 mm / colour code green	10 Pcs.	700.0137	2013
	Tungsten electrode WP / Ø 3.2 mm / 175 mm / colour code green	10 Pcs.	700.0016	2013
	Tungsten electrode WP / Ø 4.0 mm / 175 mm / colour code green	5 Pcs.	700.0018	2013
	Tungsten electrode WP / Ø 4.8 mm / 175 mm / colour code green	5 Pcs.	700.0020	2013
	Tungsten electrode WP / Ø 5.0 mm / 175 mm / colour code green	5 Pcs.	700.0021	2013
	Tungsten electrode WP / Ø 6.0 mm / 175 mm / colour code green	5 Pcs.	700.0234	2013
	Tungsten electrode WP / Ø 6.4 mm / 175 mm / colour code green	5 Pcs.	700.0022	2013
	Tungsten electrode WP / Ø 8.0 mm / 175 mm / colour code green	5 Pcs.	700.0023	2013
	Tungsten electrodes WT 10			
	Tungsten electrode WT 10 / Ø 1.0 mm / 175 mm / colour code yellow	10 Pcs.	700.0044	2013
	Tungsten electrode WT 10 / Ø 1.6 mm / 175 mm / colour code yellow	10 Pcs.	700.0049	2013
	Tungsten electrode WT 10 / Ø 2.0 mm / 175 mm / colour code yellow	10 Pcs.	700.0235	2013
	Tungsten electrode WT 10 / Ø 2.4 mm / 175 mm / colour code yellow	10 Pcs.	700.0053	2013
	Tungsten electrode WT 10 / Ø 3.0 mm / 175 mm / colour code yellow	10 Pcs.	700.0236	2013
	Tungsten electrode WT 10 / Ø 3.2 mm / 175 mm / colour code yellow	10 Pcs.	700.0056	2013
	Tungsten electrode WT 10 / Ø 4.0 mm / 175 mm / colour code yellow	5 Pcs.	700.0058	2013
	Tungsten electrode WT 10 / Ø 4.8 mm / 175 mm / colour code yellow	5 Pcs.	700.0059	2013
	Tungsten electrode WT 10 / Ø 5.0 mm / 175 mm / colour code yellow	5 Pcs.	700.0237	2013
	Tungsten electrode WT 10 / Ø 6.0 mm / 175 mm / colour code yellow	5 Pcs.	700.0142	2013
	Tungsten electrode WT 10 / Ø 6.4 mm / 175 mm / colour code yellow	5 Pcs.	700.0060	2013
	Tungsten electrode WT 10 / Ø 8.0 mm / 175 mm / colour code yellow	5 Pcs.	700.0061	2013
	Tungsten electrodes WT 20			
	Tungsten electrode WT 20 / Ø 1.0 mm / 175 mm / colour code red	10 Pcs.	700.0070	2013
	Tungsten electrode WT 20 / Ø 1.6 mm / 175 mm / colour code red	10 Pcs.	700.0080	2013
	Tungsten electrode WT 20 / Ø 2.0 mm / 175 mm / colour code red	10 Pcs.	700.0083	2013
	Tungsten electrode WT 20 / Ø 2.4 mm / 175 mm / colour code red	10 Pcs.	700.0090	2013
	Tungsten electrode WT 20 / Ø 3.0 mm / 175 mm / colour code red	10 Pcs.	700.0094	2013
	Tungsten electrode WT 20 / Ø 3.2 mm / 175 mm / colour code red	10 Pcs.	700.0099	2013
	Tungsten electrode WT 20 / Ø 4.0 mm / 175 mm / colour code red	5 Pcs.	700.0102	2013
	Tungsten electrode WT 20 / Ø 4.8 mm / 175 mm / colour code red	5 Pcs.	700.0105	2013
	Tungsten electrode WT 20 / Ø 5.0 mm / 175 mm / colour code red	5 Pcs.	700.0107	2013
	Tungsten electrode WT 20 / Ø 6.0 mm / 175 mm / colour code red	5 Pcs.	700.0108	2013
	Tungsten electrode WT 20 / Ø 6.4 mm / 175 mm / colour code red	5 Pcs.	700.0111	2013
	Tungsten electrode WT 20 / Ø 8.0 mm / 175 mm / colour code red	5 Pcs.	700.0113	2013
	Tungsten electrodes WT 40			
	Tungsten electrode WT 40 / Ø 1.0 mm / 175 mm / colour code orange	10 Pcs.	700.0124	2013
	Tungsten electrode WT 40 / Ø 1.6 mm / 175 mm / colour code orange	10 Pcs.	700.0127	2013
	Tungsten electrode WT 40 / Ø 2.0 mm / 175 mm / colour code orange	10 Pcs.	700.0128	2013
	Tungsten electrode WT 40 / Ø 2.4 mm / 175 mm / colour code orange	10 Pcs.	700.0130	2013
	Tungsten electrode WT 40 / Ø 3.0 mm / 175 mm / colour code orange	10 Pcs.	700.0151	2013
	Tungsten electrode WT 40 / Ø 3.2 mm / 175 mm / colour code orange	10 Pcs.	700.0132	2013
	Tungsten electrode WT 40 / Ø 4.0 mm / 175 mm / colour code orange	5 Pcs.	700.0134	2013
	Tungsten electrode WT 40 / Ø 4.8 mm / 175 mm / colour code orange	5 Pcs.	700.0135	2013
	Tungsten electrode WT 40 / Ø 5.0 mm / 175 mm / colour code orange	5 Pcs.	700.0152	2013
	Tungsten electrode WT 40 / Ø 6.0 mm / 175 mm / colour code orange	5 Pcs.	700.0153	2013
	Tungsten electrode WT 40 / Ø 6.4 mm / 175 mm / colour code orange	5 Pcs.	700.0154	2013
	Tungsten electrode WT 40 / Ø 8.0 mm / 175 mm / colour code orange	5 Pcs.	700.0136	2013
	Tungsten electrodes WR 2			
	Tungsten electrode WR 2 / Ø 1.0 mm / 175 mm / colour code turquoise	10 Pcs.	700.2195	2013
	Tungsten electrode WR 2 / Ø 1.6 mm / 175 mm / colour code turquoise	10 Pcs.	700.2196	2013
	Tungsten electrode WR 2 / Ø 2.0 mm / 175 mm / colour code turquoise	10 Pcs.	700.2197	2013

Tungsten electrodes

Pos.	Description	Units	Part-No.	Product-group
	Tungsten electrode WR 2 / Ø 2.4 mm / 175 mm / colour code turquoise	10 Pcs.	700.2198	2013
	Tungsten electrode WR 2 / Ø 3.0 mm / 175 mm / colour code turquoise	10 Pcs.	700.2199	2013
	Tungsten electrode WR 2 / Ø 3.2 mm / 175 mm / colour code turquoise	10 Pcs.	700.2200	2013
	Tungsten electrode WR 2 / Ø 4.0 mm / 175 mm / colour code turquoise	5 Pcs.	700.2201	2013
	Tungsten electrode WR 2 / Ø 4.8 mm / 175 mm / colour code turquoise	5 Pcs.	700.2202	2013
	Tungsten electrode WR 2 / Ø 5.0 mm / 175 mm / colour code turquoise	5 Pcs.	700.2261	2013
	Tungsten electrode WR 2 / Ø 6.0 mm / 175 mm / colour code turquoise	5 Pcs.	700.2262	2013
	Tungsten electrode WR 2 / Ø 6.4 mm / 175 mm / colour code turquoise	5 Pcs.	700.2263	2013
	Tungsten electrode WR 2 / Ø 8.0 mm / 175 mm / colour code turquoise	5 Pcs.	700.2264	2013
	Tungsten electrodes WL 10			
	Tungsten electrode WL 10 / Ø 1.0 mm / 175 mm / colour code black	10 Pcs.	700.0157	2013
	Tungsten electrode WL 10 / Ø 1.6 mm / 175 mm / colour code black	10 Pcs.	700.0158	2013
	Tungsten electrode WL 10 / Ø 2.0 mm / 175 mm / colour code black	10 Pcs.	700.0159	2013
	Tungsten electrode WL 10 / Ø 2.4 mm / 175 mm / colour code black	10 Pcs.	700.0160	2013
	Tungsten electrode WL 10 / Ø 3.0 mm / 175 mm / colour code black	10 Pcs.	700.0161	2013
	Tungsten electrode WL 10 / Ø 3.2 mm / 175 mm / colour code black	10 Pcs.	700.0162	2013
	Tungsten electrode WL 10 / Ø 4.0 mm / 175 mm / colour code black	5 Pcs.	700.0163	2013
	Tungsten electrode WL 10 / Ø 4.8 mm / 175 mm / colour code black	5 Pcs.	700.0164	2013
	Tungsten electrode WL 10 / Ø 5.0 mm / 175 mm / colour code black	5 Pcs.	700.0238	2013
	Tungsten electrode WL 10 / Ø 6.0 mm / 175 mm / colour code black	5 Pcs.	700.0239	2013
	Tungsten electrode WL 10 / Ø 6.4 mm / 175 mm / colour code black	5 Pcs.	700.0165	2013
	Tungsten electrode WL 10 / Ø 8.0 mm / 175 mm / colour code black	5 Pcs.	700.0240	2013
	Tungsten electrodes WL 15			
	Tungsten electrode WL 15 / Ø 1.0 mm / 175 mm / colour code gold	10 Pcs.	700.1183	2013
	Tungsten electrode WL 15 / Ø 1.6 mm / 175 mm / colour code gold	10 Pcs.	700.1184	2013
	Tungsten electrode WL 15 / Ø 2.0 mm / 175 mm / colour code gold	10 Pcs.	700.1185	2013
	Tungsten electrode WL 15 / Ø 2.4 mm / 175 mm / colour code gold	10 Pcs.	700.1186	2013
	Tungsten electrode WL 15 / Ø 3.0 mm / 175 mm / colour code gold	10 Pcs.	700.0254	2013
	Tungsten electrode WL 15 / Ø 3.2 mm / 175 mm / colour code gold	10 Pcs.	700.1187	2013
	Tungsten electrode WL 15 / Ø 4.0 mm / 175 mm / colour code gold	5 Pcs.	700.0255	2013
	Tungsten electrode WL 15 / Ø 4.8 mm / 175 mm / colour code gold	5 Pcs.	700.0256	2013
	Tungsten electrode WL 15 / Ø 5.0 mm / 175 mm / colour code gold	5 Pcs.	700.0257	2013
	Tungsten electrode WL 15 / Ø 6.0 mm / 175 mm / colour code gold	5 Pcs.	700.0258	2013
	Tungsten electrode WL 15 / Ø 6.4 mm / 175 mm / colour code gold	5 Pcs.	700.0259	2013
	Tungsten electrode WL 15 / Ø 8.0 mm / 175 mm / colour code gold	5 Pcs.	700.0260	2013
	Tungsten electrodes WL 20			
	Tungsten electrode WL 20 / Ø 1.0 mm / 175 mm / colour code blue	10 Pcs.	700.0219	2013
	Tungsten electrode WL 20 / Ø 1.6 mm / 175 mm / colour code blue	10 Pcs.	700.0220	2013
	Tungsten electrode WL 20 / Ø 2.0 mm / 175 mm / colour code blue	10 Pcs.	700.0221	2013
	Tungsten electrode WL 20 / Ø 2.4 mm / 175 mm / colour code blue	10 Pcs.	700.0222	2013
	Tungsten electrode WL 20 / Ø 3.0 mm / 175 mm / colour code blue	10 Pcs.	700.0241	2013
	Tungsten electrode WL 20 / Ø 3.2 mm / 175 mm / colour code blue	10 Pcs.	700.0223	2013
	Tungsten electrode WL 20 / Ø 4.0 mm / 175 mm / colour code blue	5 Pcs.	700.0242	2013
	Tungsten electrode WL 20 / Ø 4.8 mm / 175 mm / colour code blue	5 Pcs.	700.0243	2013
	Tungsten electrode WL 20 / Ø 5.0 mm / 175 mm / colour code blue	5 Pcs.	700.0244	2013
	Tungsten electrode WL 20 / Ø 6.0 mm / 175 mm / colour code blue	5 Pcs.	700.0245	2013
	Tungsten electrode WL 20 / Ø 6.4 mm / 175 mm / colour code blue	5 Pcs.	700.0246	2013
	Tungsten electrode WL 20 / Ø 8.0 mm / 175 mm / colour code blue	5 Pcs.	700.0247	2013
	Tungsten electrodes WC 20			
	Tungsten electrode WC 20 / Ø 1.0 mm / 175 mm / colour code grey	10 Pcs.	700.0166	2013
	Tungsten electrode WC 20 / Ø 1.6 mm / 175 mm / colour code grey	10 Pcs.	700.0167	2013
	Tungsten electrode WC 20 / Ø 2.0 mm / 175 mm / colour code grey	10 Pcs.	700.0168	2013
	Tungsten electrode WC 20 / Ø 2.4 mm / 175 mm / colour code grey	10 Pcs.	700.0169	2013
	Tungsten electrode WC 20 / Ø 3.0 mm / 175 mm / colour code grey	10 Pcs.	700.0250	2013
	Tungsten electrode WC 20 / Ø 3.2 mm / 175 mm / colour code grey	10 Pcs.	700.0170	2013
	Tungsten electrode WC 20 / Ø 4.0 mm / 175 mm / colour code grey	5 Pcs.	700.0171	2013



Welding accessories from ABICOR BINZEL

**“To achieve the best
results ...”**

... one of the things which will help you to achieve the best results in the welding process is to use professional accessories. When ideally tailored to the task, they provide the basis for operational safety and long service life. High-quality welding accessories increase the output and reliability of your torch.

To achieve perfect results, don't leave anything to chance.

Rely on original welding accessories from ABICOR BINZEL.



Welding accessories



- 2 Insert sleeve**
BEB 10-25
- 3 Insert sleeve**
BEB 35-50
- 4 Insert sleeve**
BEB 50-70
- 5 Insert sleeve**
BEB 70-95
- 6 Welding cable plug**
BSB 10-25
- 7 Welding cable plug**
BSB 35-50
- 8 Welding cable plug**
BSB 50-70
- 9 Welding cable plug**
BSB 70-95

- 10 Welding cable socket**
BB 10-25
- 11 Welding cable socket**
BB 35-50
- 12 Welding cable socket**
BB 50-70
- 13 Welding cable socket**
BB 70-95

- 14 Insert plug**
BKB 10-25
- 15 Insert plug**
BKB 35-50
- 16 Insert plug**
BKB 50-70
- 17 Insert plug**
BKB 70-95



- 18 Special coolant BTC-15**
The special coolant from BINZEL protect down to minus 10°C for all liquid welding and cutting facilities.



- 19 Spigot**
for 200 litre barrel



- 20 TIG-Handy-Support (FIX)**

- 21 2 component glue**



- 22 Special glue**
for rubber and plastics



- 23 Accessories case large**

- 24 Accessories case small**

Notes

Coolant Recirculator WK 23 / WK 43

The portable cooling device for all common applications:

- **Simple handling**
Connection (feed and return) via quick-action couplings.
- **Compact design size**
Small space requirements.
- **Sturdy design**
Indestructible stainless steel tank and sturdy housing.
- **Service-friendly**
Clear coolant sight glass.

■ **Cool supplement:**
Liquid-cooled welding
or cutting with air-
cooled power sources

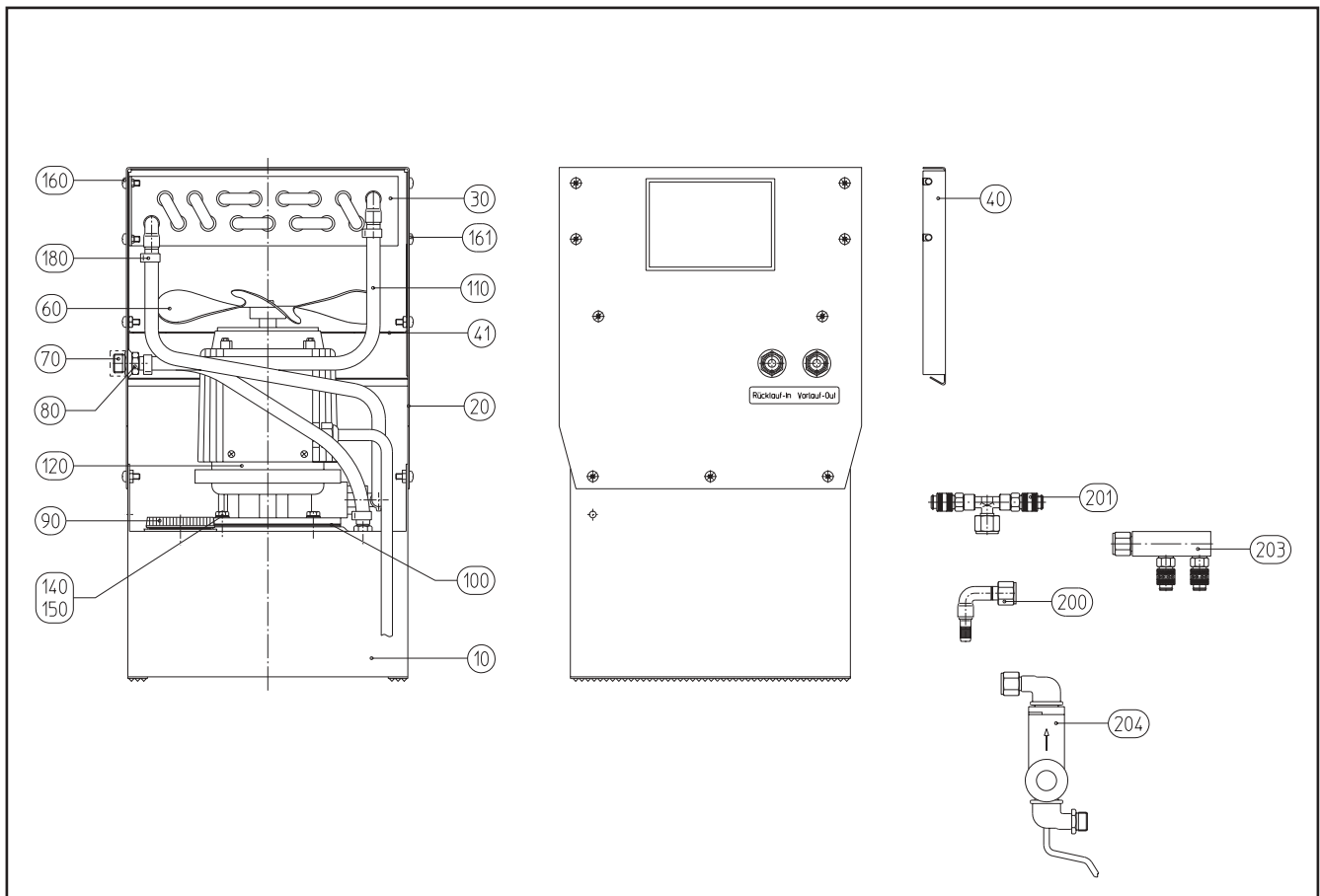


Technical data

Coolant recirculator:	WK 23	WK 43
Heat exchanger:	2 lines	4 lines
Immersion pump 50 Hz (protection class IP 54):		
– Delivery capacity:	Q _{max} 35 litres per min.	Q _{max} 35 litres per min.
– Delivery height:	H _{max} 32 m	H _{max} 32 m
Immersion pump 60 Hz (protection class IP 54):		
– Delivery capacity:	Q _{max} 40 litres per min.	Q _{max} 40 litres per min.
– Delivery height:	H _{max} 32 m	H _{max} 32 m
Cooling capacity (RT=22°C):	1250 W at max. flow 1050 W at 1 litre per min.	1575 W at max. flow 1320 W at 1 litre per min.
Sound level:	68 dB (A)	68 dB (A)
Dimensions (LxBxH):	253 x 270 x 460 mm	253 x 270 x 516 mm
Weight:	17 kg	18 kg
Tank capacity:	7 litres	7 litres

Subject to change without notice.

Coolant Recirculator WK 23 / WK 43



Pos.	Description	Units	Part-No.	Product-group
	Coolant recirculator WK 23			
	Recirculator WK 23 (115 V / 50 Hz)		850.0214	7001
	Recirculator WK 23 (115 V / 60Hz)		850.0135	7001
	Recirculator WK 23 (230 V / 50 Hz)		850.0137	7001
	Recirculator WK 23 (230 V / 60 Hz)		850.0210	7001
	Recirculator WK 23 (240/415 V / 50 Hz)		850.0144	7001
	Coolant recirculator WK 43			
	Recirculator WK 43 (115 V / 50 Hz)		850.0215	7001
	Recirculator WK 43 (115 V / 60 Hz)		850.0156	7001
	Recirculator WK 43 (230 V / 50 Hz)		850.0159	7001
	Recirculator WK 43 (230 V / 60 Hz)		850.0211	7001
	Recirculator WK 43 (240/415 V / 50 Hz)		850.0165	7001
	Housing and immersion pump			
10	Tank cpl.		850.0007	7002
20	Enclosure WK 23		850.0016	7002
20	Enclosure WK 43		850.0022	7002
30	Radiator 2-row WK 23		850.0026	7002
30	Radiator 4-row WK 43		850.0027	7002
40	Front panel WK 23		850.0041	7002
40	Front panel WK 43		850.0047	7002
41	Side panel		850.0247	7002
60	Fan blade		850.0053	7002
70	Water fitting G 3/8"		850.0057	7002
80	Nut M12x1		500.0080	9010
90	Tank cap		850.0059	7002
100	Gasket ring		850.0060	7002
110	Hose 3 black Ø 8.5x2.15	100 m	109.0013	4050
120	submersible pump with motor 115 V / 50 HZ		850.0216	7002

Coolant Recirculator WK 23 / WK 43

Pos.	Description	Units	Part-No.	Product-group
120	Motor and pump 115 V / 60 Hz		850.0202	7002
120	Motor and pump 230 V / 50 Hz		850.0203	7002
120	Motor and pump 230 V / 60 Hz		850.0209	7002
120	Motor and pump 240/415 V / 50 Hz		850.0204	7002
140	Washer Ø 6.0 mm	20 Pcs.	001.0148	9010
150	Hexagon head screw M6x20	20 Pcs.	009.0161	9010
160	Rounded head screw M5x6	20 Pcs.	079.0039	9010
161	Rounded head screw M5x12	20 Pcs.	079.0037	9010
180	Hose clamp Ø 14.3 mm with ring (mark 15.0)	20 Pcs.	173.0010	9010
Accessories				
200	Fitting (90° angled)		850.0037	7002
201	T-piece (to connect two torches)		850.0189	7002
203	T-piece (90° angled, to connect two torches)		850.0235	7002
204	Water flow cut-off switch with G 3/8" connector		850.0033	7002

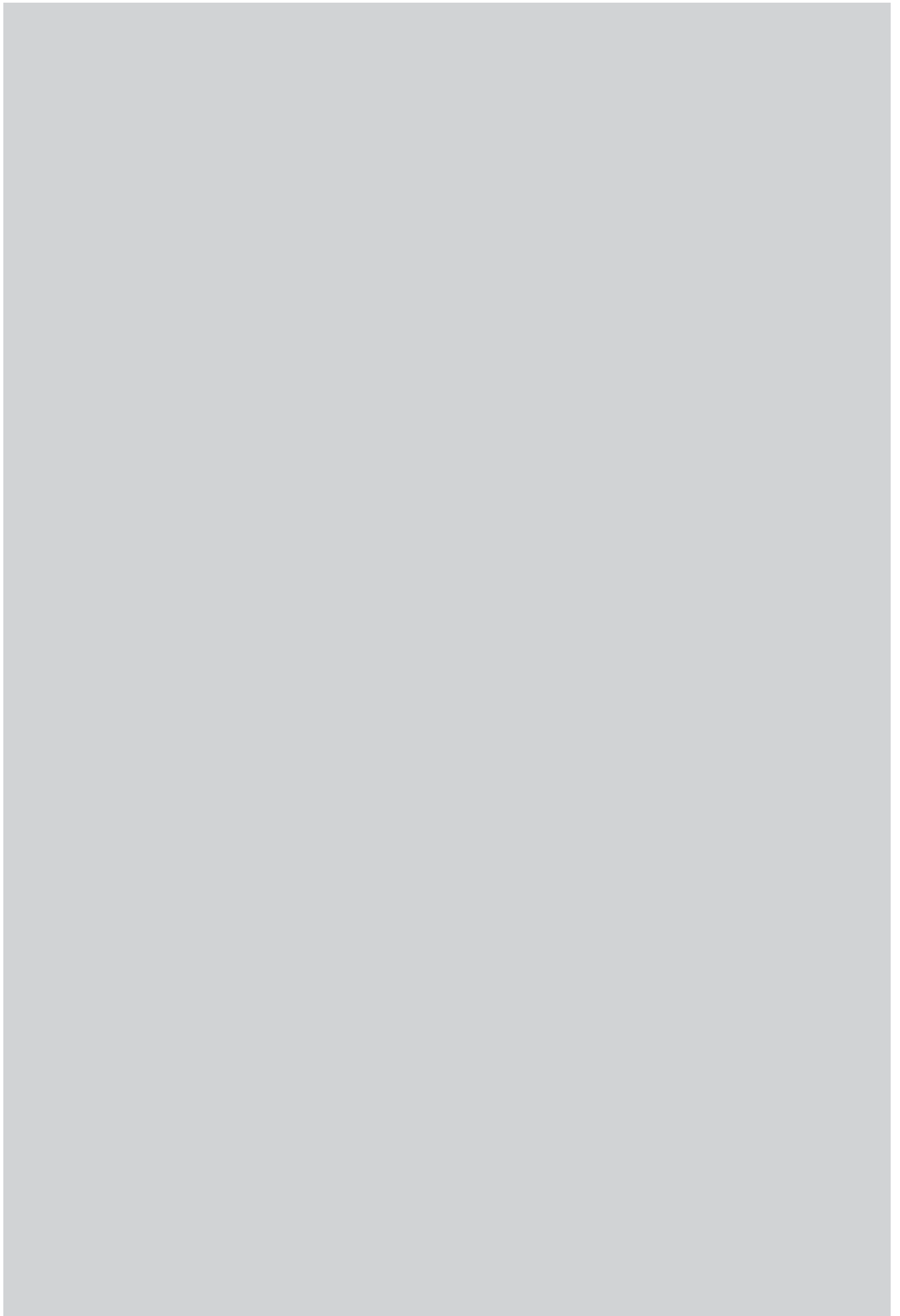
Operating Instructions

- As coolant for all liquid-cooled torch systems, we recommend the special BINZEL coolant BTC-15, which remains liquid down to -10°C.

Features:

- Non-conductive with regard to no-load voltages and operating voltages, in the sense of welding technology.
 - Important for all torches using HF, and/or using two potentials, such as plasma torches and for all grounded, metallic coolant tanks.
 - Prevents electrolytic corrosion when using torches made from different metals and torches with small diameter cooling channels.
 - Increases life of torch, cable assembly, pump and cooler.
 - Non-toxic for humans and safe for the environment.
- Must be used in conjunction with an adequate motor protection device.
 - A water flow cut-off switch (850.0033) is recommended for each torch when MIG welding to protect the torch from overheating in the event of insufficient liquid flow.

Please note that the pump and motor will not be covered by warranty as variables such as coolant quality, purity and coolant level, as well as the proper installation according to 2. and 3. are beyond our control.



Spare Parts (numerical)



Spare Parts (numerical)

Part-No.	Description	Units	Product-group
000.0552	Pan head screw M4x6	20 Pcs.	9010
000.0854	Pan head screw M2x25	20 Pcs.	9010
001.0148	Washer Ø 6.0 mm	20 Pcs.	9010
009.0161	Hexagon head screw M6x20	20 Pcs.	9010
009.0201	Rounded countersunk head screw M4x6	20 Pcs.	9010
009.0320	Hexagon nut M2	20 Pcs.	9010
079.0037	Rounded head screw M5x12	20 Pcs.	9010
079.0039	Rounded head screw M5x6	20 Pcs.	9010
100.0028	Control cable 7-pole; protected	100 m	4050
100.0100	Control cable 3-pole	100 m	4050
100.0112	Control cable 6-pole	100 m	4050
102.0124	Hose Ø 3x1.5	100 m	4050
104.0007	Shrink hose Ø 19.1 mm		4050
105.0005	Outer cover rubber Ø 20x1.5	80 m	4050
105.0019	Outer cover rubber Ø 25x1.5	40 m	4050
105.0032	Outer cover rubber Ø 28x1.5	40 m	4050
108.0028	Leather hose High Flex Ø 23x1 (0.8 m)		2005
109.0011	Hose Ø 3.9x1.5	100 m	4050
109.0013	Hose 3 black Ø 8.5x2.15	100 m	4050
109.0019	Outer cover Ø 18x1.5	60 m	4050
109.0020	Hose 10 black Ø 22.5x1.5	40 m	4050
109.0023	Hose 13 black Ø 4.2x1.5	100 m	4050
109.0032	Hose 22 black Ø 5.5x1.5	100 m	4050
109.0040	Hose 30 black Ø 4.9x1.5	100 m	4050
109.0059	Hose 3x1.5 High Flex	40 m	4050
109.0508	Hose 1 Ø 3.9x1.5 (0.47 m)		2555
113.0003	Power cable ABITIG® 9 V / 17 V / 17 FV	100 m	4001
113.0012	Power cable ABITIG® 26 V / 26 FV	100 m	4001
116.0134	Power cable water-cooled for 4.00 m (single connection/BSB) AUT-WIG 200/400 W		2005
116.0136	Power cable water-cooled for 8.00 m (single connection/BSB) AUT-WIG 200/400 W		2005
150.0015	Power cable (ABITIG® 20, ABITIG® 24 W) for 4.00 m		2005
150.0016	Power cable (ABITIG® 20, ABITIG® 24 W) for 8.00 m		2005
150.0017	Power cable (ABITIG® 20, ABITIG® 24 W) for 12.00 m		2005
150.0018	Power cable (ABITIG® 18, ABITIG® 18 SC) for 4.00 m		2005
150.0019	Power cable (ABITIG® 18, ABITIG® 18 SC) for 8.00 m		2005
150.0020	Power cable (ABITIG® 18, ABITIG® 18 SC) for 12.00 m		2005
150.0036	Power cable High Flex (ABITIG® 200) for 4.00 m		2555
150.0037	Power cable High Flex (ABITIG® 200) for 8.00 m		2555
150.0040	Power cable High Flex (ABITIG® 150) for 4.00 m		2555
150.0041	Power cable High Flex (ABITIG® 150) for 8.00 m		2555
150.0054	Power cable (ABITIG® 450 W) for 4.00 m		2555
150.0055	Power cable (ABITIG® 450 W) for 8.00 m		2555
150.0056	Power cable High Flex (ABITIG® 9) for 4.00 m		2005
150.0057	Power cable High Flex (ABITIG® 9) for 8.00 m		2005
150.0058	Power cable High Flex (ABITIG® 9) for 12.00 m		2005
150.0059	Power cable High Flex (ABITIG® 26) for 4.00 m		2005
150.0060	Power cable High Flex (ABITIG® 26) for 8.00 m		2005
150.0061	Power cable High Flex (ABITIG® 26) for 12.00 m		2005
150.0062	Power cable High Flex (ABITIG® 20, ABITIG® 24 W) for 4.00 m		2005
150.0063	Power cable High Flex (ABITIG® 20, ABITIG® 24 W) for 8.00 m		2005
150.0064	Power cable High Flex (ABITIG® 20, ABITIG® 24 W) for 12.00 m		2005
150.0065	Power cable High Flex (ABITIG® 17, ABITIG® 24 G) for 4.00 m		2005
150.0066	Power cable High Flex (ABITIG® 17, ABITIG® 24 G) for 8.00 m		2005
150.0067	Power cable High Flex (ABITIG® 17, ABITIG® 24 G) for 12.00 m		2005
150.0068	Power cable High Flex (ABITIG® 18, ABITIG® 18 SC) for 4.00 m		2005
150.0069	Power cable High Flex (ABITIG® 18, ABITIG® 18 SC) for 8.00 m		2005

Spare Parts (numerical)

Part-No.	Description	Units	Product-group
150.0070	Power cable High Flex (ABITIG® 18, ABITIG® 18 SC) for 12.00 m		2005
150.0071	Power cable High Flex (ABITIG® 12-1) for 4.00 m		2005
150.0072	Power cable High Flex (ABITIG® 12-1) for 8.00 m		2005
150.0073	Power cable High Flex (ABITIG® 12-1) for 12.00 m		2005
150.0074	Power cable (ABITIG® 12-1) for 4.00 m		2005
150.0075	Power cable (ABITIG® 12-1) for 8.00 m		2005
150.0076	Power cable (ABITIG® 12-1) for 12.00 m		2005
150.0083	Power cable (ABITIG® 450 W) for 12.00 m		2555
150.0084	Power cable (ABITIG® 9, ABITIG® 17, ABITIG® 24 G) for 4.00 m		2005
150.0085	Power cable (ABITIG® 9, ABITIG® 17, ABITIG® 24 G) for 8.00 m		2005
150.0086	Power cable (ABITIG® 9, ABITIG® 17, ABITIG® 24 G) for 12.00 m		2005
150.0087	Power cable (ABITIG® 26) for 4.00 m		2005
150.0088	Power cable (ABITIG® 26) for 8.00 m		2005
150.0089	Power cable (ABITIG® 26) for 12.00 m		2005
150.0099	Power cable (ABITIG® 260 W) for 4.00 m		2555
150.0100	Power cable (ABITIG® 260 W) for 8.00 m		2555
150.0101	Power cable (ABITIG® 260 W) for 12.00 m		2555
150.0111	Power cable (ABITIG® 150) for 4.00 m		2555
150.0112	Power cable (ABITIG® 150) for 8.00 m		2555
150.0113	Power cable (ABITIG® 150) for 12.00 m		2555
150.0114	Power cable High Flex (ABITIG® 200) for 12.00 m		2555
150.0164	Power cable High Flex (ABITIG® 260 W) for 4.00 m		2555
150.0165	Power cable High Flex (ABITIG® 260 W) for 8.00 m		2555
150.0166	Power cable High Flex (ABITIG® 260 W) for 12.00 m		2555
150.0167	Power cable High Flex (ABITIG® 450 W) for 4.00 m		2555
150.0168	Power cable High Flex (ABITIG® 450 W) for 8.00 m		2555
150.0169	Power cable High Flex (ABITIG® 450 W) for 12.00 m		2555
150.0170	Power cable (ABITIG® 200) for 4.00 m		2555
150.0171	Power cable (ABITIG® 200) for 8.00 m		2555
150.0172	Power cable (ABITIG® 200) for 12.00 m		2555
150.0175	Power cable High Flex (ABITIG® MT) for 4.00 m		2555
150.0190	Power cable High Flex (ABITIG® 150) for 12.00 m		2555
150.0194	Power cable High Flex (ABITIG® 450 W SC) for 8.00 m		2555
150.0203	Power cable High Flex (ABITIG® 450 W SC) for 4.00 m		2555
150.0204	Power cable High Flex (ABITIG® 450 W SC) for 12.00 m		2555
150.0205	Power cable (ABITIG® 450 W SC) for 4.00 m		2555
150.0206	Power cable (ABITIG® 450 W SC) for 8.00 m		2555
150.0207	Power cable (ABITIG® 450 W SC) for 12.00 m		2555
163.0017	Power-gas cable for 4.00 m (single connection/BSB) AUT-WIG 20 G		2005
163.0018	Power-gas cable for 8.00 m (single connection/BSB) AUT-WIG 20 G		2005
165.0012	O-Ring 10x1.5	20 Pcs.	9010
165.0028	O-Ring 4.6x2	20 Pcs.	9010
165.0030	O-Ring 9x2	20 Pcs.	9010
165.0079	O-Ring 13.46x2.08	20 Pcs.	9010
171.0002	Hose clamp Ø 8.7 mm	20 Pcs.	9010
173.0001	Hose clamp Ø 9.0 mm with ring (mark 9.5)	20 Pcs.	9010
173.0002	Hose clamp Ø 9.5 mm with ring (mark 10.0)	20 Pcs.	9010
173.0005	Hose clamp Ø 8.2 mm with ring (mark 8.7)	20 Pcs.	9010
173.0006	Hose clamp Ø 6.2 mm with ring (mark 6.6)	20 Pcs.	9010
173.0007	Hose clamp Ø 7.5 mm with ring (mark 8.0)	20 Pcs.	9010
173.0008	Hose clamp Ø 5.7 mm with ring (mark 6.1)	20 Pcs.	9010
173.0009	Hose clamp Ø 6.5 mm with ring (mark 7.0)	20 Pcs.	9010
173.0010	Hose clamp Ø 14.3 mm with ring (mark 15.0)	20 Pcs.	9010
175.0005	Amphenol plug 6-pole		9010
175.0006	Amphenol plug 4-pole		9010
175.0009	Tuchel plug 3-pole		9010

Spare Parts (numerical)

Part-No.	Description	Units	Product-group
175.0011	Tuchel plug 5-pole		9010
175.0012	Tuchel plug 5-pole (screwed)		9010
175.0046	Tuchel rectangle plug connector 9-pole		9010
175.0063	Cable plug 5-pole		9010
175.0064	Amphenol plug 10-pole		9010
175.0067	Amphenol plug 2-pole		9010
175.0155	Round plug connector 7-pole		9010
175.0247	Amphenol plug 8-pole		9010
175.0249	Plug 7-pole		9010
175.0273	Tuchel plug 7-pole		9010
175.0290	Dioden plug 3-pole		9010
175.0301	Harting plug 6-pole		9010
175.0341	Round plug connector 3-pole		9010
175.0343	DDK plug 5-pole		9010
175.0344	DDK plug 10-pole		9010
175.0377	Round plug connector 5-pole		9010
175.0382	Amphenol plug 7-pole (Z-version)		9010
175.0400	Redel plug 2-pole		9010
175.0403	AMP plug 9-pole cpl.		9010
175.0404	AMP plug 14-pole cpl.		9010
175.0405	Amphenol plug 18-pole cpl.		9010
175.0406	Burndy plug 8-pole cpl.		9010
175.0407	Burndy plug 12-pole cpl.		9010
177.0007	Quick coupling ND 5		1092
180.0108	Handle ABITIG® for single push-button and double push-button, without control module		2005
180.0109	Handle ABITIG® SH, without control module		2005
191.0005	2 component glue		4001
191.0034	Special glue		4001
192.0066	Accessories case, small		4001
192.0069	Accessories case, large		4001
192.0109	Spigot for 200 l barrel		4005
192.0110	Coolant BTC-15, 5 l container		4005
192.0111	Coolant BTC-15, 20 l container		4005
192.0112	Coolant BTC-15, 200 l barrel		4005
193.0019	TIG-Handy-Support (FIX)		4001
400.0297	Lock ring ND 31		9010
400.0341	Screw 25x8	20 Pcs.	9010
400.0351	Strain relief		2005
400.0377	Hose coupling BS		2005
400.0378	Hose coupling MS		2005
400.0391	Hose coupling cpl.		2005
400.0412	Strain relief ERGO		9010
400.0413	Strain relief		9010
400.0486	Strain relief		9010
400.0895	Nozzle clamping ring		2005
400.0934	Control module single push-button BIS-01		2005
400.0935	Control module double push-button BIS-02		2005
400.0936	Control module double push-button with potentiometer (10 K-Ohm) BIS-04		2005
400.0937	Control module double push-button for high switching current (up to 2 A) BIS-10		2005
400.0938	Control module double push-button BIS-12		2005
400.0939	Control module double push-button with potentiometer (1 K-Ohm) BIS-14		2005
400.0940	Control module UP / DOWN (device-dependent) BIS-15		2005
400.0941	Control module double push-button with potentiometer (10 K-Ohm) BIS-22		2005
400.0942	Control module double push-button with potentiometer (2.2 K-Ohm) BIS-24		2005
400.0943	Control module double push-button with potentiometer (1 K-Ohm) BIS-32		2005
400.0944	Control module double push-button with potentiometer (4.7 K-Ohm) BIS-34		2005

Spare Parts (numerical)

Part-No.	Description	Units	Product-group
400.0945	Control module double push-button with potentiometer (2.2 K-Ohm) BIS-42		2005
400.0946	Control module double push-button with potentiometer (47 K-Ohm) BIS-44		2005
400.0947	Control module double push-button with potentiometer (4.7 K-Ohm) BIS-52		2005
400.0948	Control module double push-button with potentiometer (47 K-Ohm) BIS-62		2005
400.0978	Fingerrest with grid		2005
400.0991	Ball and socket joint complete for handle ABITIG® and handle ABITIG® SH		2005
400.0992	Control module single push-button with potentiometer (10 K-Ohm) BIS-09 (3-pole)		2005
400.1042	Control module double push-button (large) BIS-11		2005
400.1053	Fingerrest with grid cpl.		2005
500.0060	Powerfitting		2005
500.0080	Nut M12x1		9010
500.0081	Coupling nut G 3/8"	10 Pcs.	9010
500.0082	Coupling nut G 1/4"	10 Pcs.	9010
500.0083	Hose connector G 3/8"	10 Pcs.	9010
500.0087	Hose connector G 1/4"	10 Pcs.	9010
500.0106	Coupling nut 9/16"-18G UNF	10 Pcs.	9010
500.0110	Coupling nut M12x1	10 Pcs.	9010
500.0112	Hose connector for M12x1	10 Pcs.	9010
500.0121	Inverted nut 5/8"-18G	10 Pcs.	9010
500.0122	Inverted nut 5/8"-18G l.h.	10 Pcs.	9010
500.0136	Hose connector G 1/8"	10 Pcs.	9010
500.0141	Rubber sleeve		2005
500.0160	Cable support		9010
500.0162	Coupling nut 5/8"-18G	10 Pcs.	9010
500.0203	Hose connector for 9/16"-18G UNF	10 Pcs.	9010
500.0210	Hose passage 1		9010
500.0213	Adaptor nut		9010
500.0216	Cable support housing		9010
500.0217	Cable support cover		9010
500.0218	Cable support housing		9010
500.0226	Cable support spring		9010
500.0227	Cable support spring		9010
500.0230	Cable support cover		9010
500.0247	Hose connector for G 1/4"	10 Pcs.	9010
500.0248	Hose connector for G 3/8"	10 Pcs.	9010
500.0251	Screw cap 1	20 Pcs.	9010
500.0252	Strain relief		9010
500.0255	Hose fitting	10 Pcs.	2005
500.0271	Rubber sleeve		9010
500.0272	Rubber sleeve		9010
500.0284	Hose guide 1		9010
500.0300	Rubber sleeve		4001
500.0301	Rubber sleeve		4001
500.0317	Hose connector for 5/8"-18G	10 Pcs.	9010
500.0362	Screw cap 2	20 Pcs.	9010
500.0364	Coupling nut G1/4" (Esseti)	10 Pcs.	9010
501.0126	Plug nipple ND 2.7	10 Pcs.	9010
501.0127	Adaptor nut		9010
501.2165	Plug nipple NW 5	20 Pcs.	9010
501.2166	Code colour ring red	20 Pcs.	9010
501.2167	Code colour ring blue	20 Pcs.	9010
501.2223	Plug nipple ND 2.7 (migatronic)	10 Pcs.	9010
501.2230	Plug nipple ND 7.2	10 Pcs.	9010
501.2251	Plug nipple NW 5 (Dalex)		9010
511.0003	Welding cable socket BB 10-25		4001
511.0004	Insert Sleeve BEB 10-25		4001

Spare Parts (numerical)

Part-No.	Description	Units	Product-group
511.0005	Welding cable plug BSB 10-25		4001
511.0006	Insert plug BKB 10-25		4001
511.0013	Welding cable socket BB 35-50		4001
511.0014	Insert Sleeve BEB 35-50		4001
511.0015	Welding cable plug BSB 35-50		4001
511.0016	Insert plug BKB 35-50		4001
511.0029	Welding cable socket BB 50-70		4001
511.0030	Insert Sleeve BEB 50-70		4001
511.0031	Welding cable plug BSB 50-70		4001
511.0032	Insert plug BKB 50-70		4001
511.0040	Welding cable socket BB 70-95		4001
511.0042	Welding cable plug BSB 70-95		4001
511.0098	Rubber sleeve		9010
511.0128	Cable support		4001
511.0129	Cable support		4001
511.0130	Screw		4001
511.0132	Screw		4001
511.0137	Screw		4001
511.0146	BCC-1 (compatible 10-25) cpl. for ABITIG® 9 V / 17 V / 17 FV		4001
511.0148	BCC-2 (compatible 35-50) cpl. for ABITIG® 9 V / 17 V / 17 FV		4001
511.0150	BCC-2 (compatible 35-50) cpl. for ABITIG® 26 V / 26 FV		4001
701.0107	Ceramic gas nozzle; no. 4; Ø 6.5 mm; 47.0 mm long; (10N50)	10 Pcs.	2004
701.0108	Ceramic gas nozzle; no. 5; Ø 8.0 mm; 47.0 mm long; (10N49)	10 Pcs.	2004
701.0109	Ceramic gas nozzle; no. 6; Ø 9.5 mm; 47.0 mm long; (10N48)	10 Pcs.	2004
701.0110	Ceramic gas nozzle; no. 7; Ø 11.0 mm; 47.0 mm long; (10N47)	10 Pcs.	2004
701.0111	Ceramic gas nozzle; no. 8; Ø 12.5 mm; 47.0 mm long; (10N46)	10 Pcs.	2004
701.0113	Ceramic gas nozzle; no. 10; Ø 16.0 mm; 47.0 mm long; (10N45)	10 Pcs.	2004
701.0114	Ceramic gas nozzle; no. 12; Ø 19.5 mm; 50.0 mm long; (10N44)	10 Pcs.	2004
701.0115	Ceramic gas nozzle; no. 5; Ø 8.0 mm; 76.0 mm long; (10N49L)	10 Pcs.	2004
701.0116	Ceramic gas nozzle; no. 6; Ø 9.5 mm; 76.0 mm long; (10N48L)	10 Pcs.	2004
701.0117	Ceramic gas nozzle; no. 7; Ø 11.0 mm; 76.0 mm long; (10N47L)	10 Pcs.	2004
701.0118	Ceramic gas nozzle; no. 7; Ø 11.0 mm; 48.0 mm long with metal shield; (10N53)		2004
701.0120	Ceramic gas nozzle; no. 8; Ø 12.5 mm; 48.0 mm long with metal shield; (10N52)		2004
701.0122	Ceramic gas nozzle; no. 10; Ø 16.0 mm; 48.0 mm long with metal shield; (10N51)		2004
701.0124	Ceramic gas nozzle; no. 5; Ø 8.0 mm; 48.0 mm long with metal shield; (10N55)		2004
701.0126	Ceramic gas nozzle; no. 6; Ø 9.5 mm; 48.0 mm long with metal shield; (10N54)		2004
701.0129	Ceramic spot weld nozzle; no 8; Ø 12.5 mm; 55.0 mm long with metal shield (10N52P)		2004
701.0130	Adaptor (54N01)	10 Pcs.	2003
701.0169	Collet for electrode Ø 0.5 mm; 52.0 mm long; (10N21D)	10 Pcs.	2007
701.0170	Collet for electrode Ø 1.2 mm; 52.0 mm long	10 Pcs.	2007
701.0171	Collet for electrode Ø 1.0 mm; 52.0 mm long; (10N22D)	10 Pcs.	2007
701.0172	Collet for electrode Ø 1.6 mm; 52.0 mm long; (10N23D)	10 Pcs.	2007
701.0173	Collet for electrode Ø 2.4 mm; 52.0 mm long; (10N24D)	10 Pcs.	2007
701.0174	Collet for electrode Ø 3.2 mm; 52.0 mm long; (10N25D)	10 Pcs.	2007
701.0175	Collet for electrode Ø 4.0 mm; 52.0 mm long; (54N20D)	10 Pcs.	2007
701.0176	Collet for electrode Ø 2.0 mm; 52.0 mm long	10 Pcs.	2007
701.0190	Collet body for electrode Ø 0.5 - 1.2 mm; (10N30)	10 Pcs.	2008
701.0191	Collet body for electrode Ø 1.6 mm; (10N31)	10 Pcs.	2008
701.0196	Collet body for electrode Ø 2.0 - 2.4 mm; (10N32)	10 Pcs.	2008
701.0197	Collet body for electrode Ø 3.2 mm; (10N28)	10 Pcs.	2008
701.0198	Collet body for electrode Ø 4.0 mm; (406488)	10 Pcs.	2008
701.0199	Insulator	10 Pcs.	2003
701.0201	Collet body for electrode with gas lens Ø 0.5 - 1.0 mm; (45V24)	10 Pcs.	2008
701.0203	Collet body for electrode with gas lens Ø 1.6 mm; (45V25)	10 Pcs.	2008
701.0207	Collet body for electrode with gas lens Ø 2.0 - 2.4 mm; (45V26)	10 Pcs.	2008
701.0209	Collet body for electrode with gas lens Ø 3.2 mm; (45V27)	10 Pcs.	2008

Spare Parts (numerical)

Part-No.	Description	Units	Product-group
701.0211	Collet body for electrode with gas lens Ø 4.0 mm; (45V28)	10 Pcs.	2008
701.0240	Back cap, short; (41V33)	10 Pcs.	2009
701.0244	Back cap, medium; (41V35)	10 Pcs.	2009
701.0247	Back cap, long; (41V24)	10 Pcs.	2009
701.0249	Collet for electrode Ø 0.5 mm; 25.4 mm long; (13N20)	10 Pcs.	2007
701.0250	Collet for electrode Ø 1.0 mm; 25.4 mm long; (13N21)	10 Pcs.	2007
701.0251	Collet for electrode Ø 1.6 mm; 25.4 mm long; (13N22)	10 Pcs.	2007
701.0252	Collet for electrode Ø 2.4 mm; 25.4 mm long; (13N23)	10 Pcs.	2007
701.0253	Collet for electrode Ø 3.2 mm; 25.4 mm long; (13N24)	10 Pcs.	2007
701.0254	Collet for electrode Ø 1.2 mm; 25.4 mm long	10 Pcs.	2007
701.0255	Collet for electrode Ø 2.0 mm; 25.4 mm long	10 Pcs.	2007
701.0275	Collet body for electrode Ø 0.5 - 1.0 mm; (13N26)	10 Pcs.	2008
701.0276	Collet body for electrode Ø 1.6 mm; (13N27)	10 Pcs.	2008
701.0277	Collet body for electrode Ø 2.4 mm; (13N28)	10 Pcs.	2008
701.0278	Collet body for electrode Ø 3.2 mm; (13N29)	10 Pcs.	2008
701.0279	Collet body for electrode Ø 1.2 mm	10 Pcs.	2008
701.0280	Collet body for electrode Ø 2.0 mm	10 Pcs.	2008
701.0281	Ceramic gas nozzle; no. 4; Ø 6.5 mm; 30.0 mm long; (13N08)	10 Pcs.	2004
701.0282	Ceramic gas nozzle; no. 5; Ø 8.0 mm; 30.0 mm long; (13N09)	10 Pcs.	2004
701.0283	Ceramic gas nozzle; no. 6; Ø 9.5 mm; 30.0 mm long; (13N10)	10 Pcs.	2004
701.0284	Ceramic gas nozzle; no. 7; Ø 11.0 mm; 30.0 mm long; (13N11)	10 Pcs.	2004
701.0285	Ceramic gas nozzle; no. 8; Ø 12.5 mm; 30.0 mm long; (13N12)	10 Pcs.	2004
701.0286	Ceramic gas nozzle; no. 10; Ø 16.0 mm; 30.0 mm long; (13N13)	10 Pcs.	2004
701.0289	Ceramic gas nozzle; no. 4; Ø 6.5 mm; 48.0 mm long; (796F71)	10 Pcs.	2004
701.0290	Ceramic gas nozzle; no. 5; Ø 8.0 mm; 48.0 mm long; (796F72)	10 Pcs.	2004
701.0291	Ceramic gas nozzle; no. 6; Ø 9.5 mm; 48.0 mm long; (796F73)	10 Pcs.	2004
701.0293	Ceramic gas nozzle; no. 4; Ø 6.5 mm; 63.0 mm long; (796F75)	10 Pcs.	2004
701.0294	Ceramic gas nozzle; no. 5; Ø 8.0 mm; 63.0 mm long; (796F76)	10 Pcs.	2004
701.0296	Ceramic gas nozzle; no. 4; Ø 6.5 mm; 89.0 mm long; (796F79)	10 Pcs.	2004
701.0301	Collet body for electrode with gas lens Ø 0.5 - 1.0 mm; (45V41 / 45V42)	10 Pcs.	2008
701.0307	Collet body for electrode with gas lens Ø 1.6 mm; (45V43)	10 Pcs.	2008
701.0309	Collet body for electrode with gas lens Ø 2.4 mm; (45V44)	10 Pcs.	2008
701.0311	Collet body for electrode with gas lens Ø 3.2 mm; (45V45)	10 Pcs.	2008
701.0313	Collet body for electrode with gas lens Ø 1.2 mm	10 Pcs.	2008
701.0315	Collet body for electrode with gas lens Ø 2.0 mm	10 Pcs.	2008
701.0317	Ceramic gas nozzle; no. 4; Ø 6.5 mm; 25.5 mm long; (53N58)	10 Pcs.	2004
701.0318	Ceramic gas nozzle; no. 5; Ø 8.0 mm; 25.5 mm long; (53N59)	10 Pcs.	2004
701.0319	Ceramic gas nozzle; no. 6; Ø 9.5 mm; 25.5 mm long; (53N60)	10 Pcs.	2004
701.0320	Ceramic gas nozzle; no. 7; Ø 11.0 mm; 25.5 mm long; (53N61)	10 Pcs.	2004
701.0420	Ceramic gas nozzle; no. 4; Ø 6.5 mm; 42.0 mm long; (54N18)	10 Pcs.	2004
701.0421	Ceramic gas nozzle; no. 5; Ø 8.0 mm; 42.0 mm long; (54N17)	10 Pcs.	2004
701.0422	Ceramic gas nozzle; no. 6; Ø 9.5 mm; 42.0 mm long; (54N16)	10 Pcs.	2004
701.0423	Ceramic gas nozzle; no. 7; Ø 11.0 mm; 42.0 mm long; (54N15)	10 Pcs.	2004
701.0424	Ceramic gas nozzle; no. 8; Ø 12.5 mm; 42.0 mm long; (54N14)	10 Pcs.	2004
701.0426	Ceramic gas nozzle; no. 12; Ø 19.5 mm; 42.0 mm long; (54N19)	10 Pcs.	2004
701.0427	Ceramic gas nozzle; no. 5; Ø 8.0 mm; 76.0 mm long; (54N17L)	10 Pcs.	2004
701.0428	Ceramic gas nozzle; no. 6; Ø 9.5 mm; 76.0 mm long; (54N16L)	10 Pcs.	2004
701.0429	Ceramic gas nozzle; no. 7; Ø 11.0 mm; 76.0 mm long; (54N15L)	10 Pcs.	2004
701.0452	Collet for electrode Ø 0.5 mm; 14.0 mm long; (53N15)	10 Pcs.	2007
701.0453	Collet for electrode Ø 1.0 mm; 14.0 mm long; (53N16)	10 Pcs.	2007
701.0454	Collet for electrode Ø 1.6 mm; 14.0 mm long; (53N14)	10 Pcs.	2007
701.0455	Collet for electrode Ø 1.2 mm; 14.0 mm long	10 Pcs.	2007
701.0456	Collet for electrode Ø 2.0 mm; 14.0 mm long	10 Pcs.	2007
701.0457	Collet for electrode Ø 2.4 mm; 14.0 mm long; (24C332)	10 Pcs.	2007
701.0458	Insulator (53N22)	10 Pcs.	2003
701.0459	Insulator (53N66)	10 Pcs.	2003

Spare Parts (numerical)

Part-No.	Description	Units	Product-group
701.0461	Collet for electrode Ø 0.5 mm; 23.0 mm long	10 Pcs.	2007
701.0462	Collet for electrode Ø 1.0 mm; 23.0 mm long; (53N63)	10 Pcs.	2007
701.0463	Collet for electrode Ø 1.6 mm; 23.0 mm long; (54N64)	10 Pcs.	2007
701.0464	Collet for electrode Ø 1.2 mm; 23.0 mm long	10 Pcs.	2007
701.0465	Collet for electrode Ø 2.4 mm; 23.0 mm long; (24GLC332)	10 Pcs.	2007
701.0466	Collet for electrode Ø 2.0 mm; 23.0 mm long	10 Pcs.	2007
701.0468	Ceramic gas nozzle; no. 4; Ø 6.5 mm; 16.5 mm long; (53N24)	10 Pcs.	2004
701.0469	Ceramic gas nozzle; no. 5; Ø 8.0 mm; 16.5 mm long; (53N25)	10 Pcs.	2004
701.0470	Ceramic gas nozzle; no. 6; Ø 9.5 mm; 16.5 mm long; (53N27)	10 Pcs.	2004
701.0471	Ceramic gas nozzle; no. 4; Ø 6.5 mm; 29.0 mm long; (53N28)	10 Pcs.	2004
701.0472	Ceramic gas nozzle; no. 6; Ø 9.5 mm; 29.0 mm lang; (53N26)	10 Pcs.	2004
701.0473	Ceramic gas nozzle; no. 4L; Ø 6.5 mm; 62.5 mm long; (53N24L)	10 Pcs.	2004
701.0474	Ceramic gas nozzle; no. 5L; Ø 8.0 mm; 91.5 mm long; (53N27L)	10 Pcs.	2004
701.0479	Collet body for electrode Ø 0.5 mm; (53N17)	10 Pcs.	2008
701.0480	Collet body for electrode Ø 1.0 mm; (53N18)	10 Pcs.	2008
701.0481	Collet body for electrode Ø 1.6 mm; (53N19)	10 Pcs.	2008
701.0482	Collet body for electrode Ø 2.4 mm; (24CB332)	10 Pcs.	2008
701.0483	Collet body for electrode Ø 1.2 mm	10 Pcs.	2008
701.0484	Collet body for electrode Ø 2.0 mm	10 Pcs.	2008
701.1116	Collet body for electrode with gas lens Ø 1.6 mm; (45V116)	5 Pcs.	2008
701.1117	Collet body for electrode with gas lens Ø 2.4 mm; (45V64)	5 Pcs.	2008
701.1118	Collet body for electrode with gas lens Ø 3.2 mm; (995795)	5 Pcs.	2008
701.1121	Ceramic gas nozzle; no.12; Ø 19.5 mm; 48,0 mm long; (53N87)	10 Pcs.	2004
701.1122	Adaptor (54N63)	5 Pcs.	2003
701.1199	Ceramic gas nozzle; no. 6; Ø 9.5 mm; 48,0 mm long; (57N75)	10 Pcs.	2004
701.1200	Ceramic gas nozzle; no. 8; Ø 12.5 mm; 48,0 mm long; (57N74)	10 Pcs.	2004
701.1201	Ceramic gas nozzle; no.10; Ø 16.0 mm; 48,0 mm long (53N88)	10 Pcs.	2004
701.1202	Ceramic gas nozzle; Ø 24.0 mm; 34,0 mm long; (53N89)	10 Pcs.	2004
701.1208	Collet body for electrode with gas lens Ø 4.0 mm; (45V63)	5 Pcs.	2008
701.1218	Collet body for electrode Ø 1.0 - 3.2 mm	10 Pcs.	2008
701.1219	Insulator (18CG20)	10 Pcs.	2003
701.1220	Collet for electrode Ø 1.0 mm; 29.5 mm long; (10N22S)	10 Pcs.	2007
701.1221	Collet for electrode Ø 1.6 mm; 29.5 mm long; (10N23S)	10 Pcs.	2007
701.1222	Collet for electrode Ø 2.0 mm; 29.5 mm long	10 Pcs.	2007
701.1223	Collet for electrode Ø 2.4 mm; 29.5 mm long; (10N24S)	10 Pcs.	2007
701.1224	Collet for electrode Ø 3.2 mm; 29.5 mm long; (10N25S)	10 Pcs.	2007
701.1225	Collet for electrode Ø 0.5 mm; 40.0 mm long; (13N20L)	10 Pcs.	2007
701.1226	Collet for electrode Ø 1.0 mm; 40.0 mm long; (13N21L)	10 Pcs.	2007
701.1227	Collet for electrode Ø 1.6 mm; 40.0 mm long; (13N22L)	10 Pcs.	2007
701.1228	Collet for electrode Ø 2.4 mm; 40.0 mm long; (13N23L)	10 Pcs.	2007
701.1229	Collet for electrode Ø 3.2 mm; 40.0 mm long; (13N24L)	10 Pcs.	2007
701.1230	Collet body for electrode with gas lens Ø 0.5 - 1.0 mm; (45V0204S)	5 Pcs.	2008
701.1231	Collet body for electrode with gas lens Ø 1.6 mm; (45V116S)	5 Pcs.	2008
701.1232	Collet body for electrode with gas lens Ø 2.4 mm; (45V64S)	5 Pcs.	2008
701.1233	Collet body for electrode with gas lens Ø 3.2 mm; (995795S)	5 Pcs.	2008
701.1234	Adaptor (54N63-20)	5 Pcs.	2003
701.1286	Insulator	10 Pcs.	2003
701.1287	Collet body for electrode with gas lens Ø 1.0 mm	10 Pcs.	2008
701.1288	Collet body for electrode with gas lens Ø 1.6 mm	10 Pcs.	2008
701.1289	Collet body for electrode with gas lens Ø 2.4 mm	10 Pcs.	2008
701.1290	Collet body for electrode with gas lens Ø 3.2 mm	10 Pcs.	2008
702.0005	Collet for electrode Ø 0.5 mm; 50,0 mm long; (10N21)	10 Pcs.	2007
702.0006	Collet for electrode Ø 1.0 mm; 50,0 mm long; (10N22)	10 Pcs.	2007
702.0007	Collet for electrode Ø 1.2 mm; 50.0 mm long	10 Pcs.	2007
702.0008	Collet for electrode Ø 1.6 mm; 50.0 mm long; (10N23)	10 Pcs.	2007
702.0009	Collet for electrode Ø 2.4 mm; 50.0 mm long; (10N24)	10 Pcs.	2007

Spare Parts (numerical)

Part-No.	Description	Units	Product-group
702.0010	Collet for electrode Ø 3.2 mm; 50.0 mm long; (10N25)	10 Pcs.	2007
702.0011	Collet for electrode Ø 4.0 mm; 50.0 mm long; (54N20)	10 Pcs.	2007
702.0012	Collet for electrode Ø 2.0 mm; 50.0 mm long	10 Pcs.	2007
702.0055	Insulating ring	10 Pcs.	2003
703.0010	Torch body ABITIG® 17 FV (flexible)		2002
703.0012	Insulating ring	10 Pcs.	2003
703.0290	Torch body ABITIG® 26 FV (flexible)		2002
704.0046	Ceramic gas nozzle; no. 4; Ø 6.5 mm; 43.0 mm long	10 Pcs.	2004
704.0047	Ceramic gas nozzle; no. 5; Ø 8.0 mm; 43.0 mm long	10 Pcs.	2004
704.0048	Ceramic gas nozzle; no. 6; Ø 9.5 mm; 43.0 mm long	10 Pcs.	2004
704.0049	Ceramic gas nozzle; no. 7; Ø 11.0 mm; 43.0 mm long	10 Pcs.	2004
704.0050	Ceramic gas nozzle; no. 8; Ø 12.5 mm; 43.0 mm long	10 Pcs.	2004
704.0051	Ceramic gas nozzle; no. 9; Ø 14.5 mm; 43.0 mm long	10 Pcs.	2004
704.0052	Ceramic gas nozzle; no. 10; Ø 16.0 mm; 48.0 mm long	10 Pcs.	2004
704.0053	Ceramic gas nozzle; no. 11; Ø 17.5 mm	10 Pcs.	2004
705.0007	Torch body ABITIG® 9 V		2002
705.0038	Torch body ABITIG® 17 V		2002
705.0046	Valve ABITIG® 9 V / 17 V / 17 FV		2005
705.0091	Torch body ABITIG® 26 V		2002
705.0096	Handle tube		2005
705.0097	Valve ABITIG® 26 V / 26 FV		2005
705.1440	Handle tube ABITIG® 9 V / ABITIG® 17 V / ABITIG® 17 FV		2005
706.1037	ABITIG® 17 V; with valve; plug 35-50; 4.00 m long		2011
706.1038	ABITIG® 17 V; with valve; plug 35-50; 8.00 m long		2011
706.1057	ABITIG® 17 V; with valve; plug 10-25; 4.00 m long		2011
706.1058	ABITIG® 17 V; with valve; plug 10-25; 8.00 m long		2011
706.1137	ABITIG® 17 FV; with valve; plug 35-50; 4.00 m long		2011
706.1138	ABITIG® 17 FV; with valve; plug 35-50; 8.00 m long		2011
706.1157	ABITIG® 17 FV; with valve; plug 10-25; 4.00 m long		2011
706.1158	ABITIG® 17 FV; with valve; plug 10-25; 8.00 m long		2011
706.4037	ABITIG® 26 V; with valve; plug 35-50; 4.00 m long		2011
706.4038	ABITIG® 26 V; with valve; plug 35-50; 8.00 m long		2011
706.4137	ABITIG® 26 FV; with valve; plug 35-50; 4.00 m long		2011
706.4138	ABITIG® 26 FV; with valve; plug 35-50; 8.00 m long		2011
706.5057	ABITIG® 9 V; with valve; plug 10-25; 4.00 m long		2011
706.5058	ABITIG® 9 V; with valve; plug 10-25; 8.00 m long		2011
710.0014	Coupling nut G 1/8"	10 Pcs.	9010
712.0020	Torch body ABITIG® 12-1		2002
712.0051	Back cap, long		2009
712.0053	Back cap, short		2009
712.0062	Collet for electrode Ø 1.6 mm; 64.0 mm long	10 Pcs.	2007
712.0063	Collet for electrode Ø 2.4 mm; 64.0 mm long	10 Pcs.	2007
712.0064	Collet for electrode Ø 3.2 mm; 64.0 mm long	10 Pcs.	2007
712.0065	Collet for electrode Ø 4.0 mm; 64.0 mm long	10 Pcs.	2007
712.0072	Collet body for electrode Ø 1.6 mm	10 Pcs.	2008
712.0073	Collet body for electrode Ø 2.4 mm	10 Pcs.	2008
712.0074	Collet body for electrode Ø 3.2 mm	10 Pcs.	2008
712.0075	Collet body for electrode Ø 4.0 mm	10 Pcs.	2008
712.0101	Collet body for electrode with gas lens Ø 1.6 mm		2008
712.0102	Collet body for electrode with gas lens Ø 2.4 mm		2008
712.0103	Collet body for electrode with gas lens Ø 3.2 mm		2008
712.0104	Collet body for electrode with gas lens Ø 4.0 mm		2008
712.0151	Component kit for electrode WE-Ø 1.6		2005
712.0152	Component kit for electrode WE-Ø 2.4		2005
712.0153	Component kit for electrode WE-Ø 3.2		2005
712.0154	Component kit for electrode WE-Ø 4.0		2005

Spare Parts (numerical)

Part-No.	Description	Units	Product-group
712.0191	Component kit for electrode gas lens WE-Ø 1.6		2005
712.0192	Component kit for electrode gas lens WE-Ø 2.4		2005
712.0193	Component kit for electrode gas lens WE-Ø 3.2		2005
712.0194	Component kit for electrode gas lens WE-Ø 4.0		2005
712.1020	Torch body ABITIG® 17		2002
712.1030	Torch body ABITIG® 17 F (flexible)		2002
712.1051	Back cap, long	5 Pcs.	2009
712.1053	Back cap, short	5 Pcs.	2009
712.2020	Torch body ABITIG® 18		2002
712.2151	Component kit for electrode WE-Ø 1.6		2005
712.2152	Component kit for electrode WE-Ø 2.4		2005
712.2153	Component kit for electrode WE-Ø 3.2		2005
712.2154	Component kit for electrode WE-Ø 4.0		2005
712.2191	Component kit for electrode gas lens WE-Ø 1.6		2005
712.2192	Component kit for electrode gas lens WE-Ø 2.4		2005
712.2193	Component kit for electrode gas lens WE-Ø 3.2		2005
712.2194	Component kit for electrode gas lens WE-Ø 4.0		2005
712.2230	Torch body ABITIG® 18 K (short)		2002
712.3020	Torch body ABITIG® 20		2002
712.3151	Component kit for electrode WE-Ø 1.6		2005
712.3152	Component kit for electrode WE-Ø 2.4		2005
712.3153	Component kit for electrode WE-Ø 3.2		2005
712.3191	Component kit for electrode gas lens WE-Ø 1.6		2005
712.3192	Component kit for electrode gas lens WE-Ø 2.4		2005
712.3193	Component kit for electrode gas lens WE-Ø 3.2		2005
712.4020	Torch body ABITIG® 26		2002
712.4030	Torch body ABITIG® 26 F (flexible)		2002
712.4230	Torch body ABITIG® 26 K (short)		2002
712.5020	Torch body ABITIG® 9		2002
712.5030	Torch body ABITIG® 9 F (flexible)		2002
712.6020	Torch body ABITIG® 18 SC		2002
712.6043	Insulating ring	5 Pcs.	2003
712.6064	Collet for electrode HL Ø 3.2 mm; 49.0 mm long; (10N25HD)	10 Pcs.	2007
712.6065	Collet for electrode HL Ø 4.0 mm; 49.0 mm long; (54N20HD)	10 Pcs.	2007
712.6066	Collet for electrode HL Ø 4.8 mm; 49.0 mm long; (18C36)	10 Pcs.	2007
712.6074	Collet body for electrode Ø 0.5 - 3.2 mm; (NCB-53)		2008
712.6076	Collet body for electrode HL Ø 3.2 - 4.8 mm; (NCB-36)		2008
712.6099	Collet body for electrode with gas lens Ø 0.5 mm; (18GL02)		2008
712.6100	Collet body for electrode with gas lens Ø 1.0 mm; (18GL04)		2008
712.6101	Collet body for electrode with gas lens Ø 1,6 mm; (18GL16)		2008
712.6102	Collet body for electrode with gas lens Ø 2.4 mm; (18GL32)		2008
712.6103	Collet body for electrode with gas lens Ø 3.2 mm; (18GL18)		2008
712.6104	Collet body for electrode with gas lens Ø 4.0 mm; (18GL53)		2008
712.6105	Collet body for electrode with gas lens Ø 4.8 mm; (18GL36)		2008
712.6151	Component kit for electrode WE-Ø 1.6		2005
712.6152	Component kit for electrode WE-Ø 2.4		2005
712.6153	Component kit for electrode HL WE-Ø 3.2		2005
712.6154	Component kit for electrode HL WE-Ø 4.0		2005
712.6155	Component kit for electrode HL WE-Ø 4.8		2005
712.6191	Component kit for electrode gas lens WE-Ø 1.6		2005
712.6192	Component kit for electrode gas lens WE-Ø 2.4		2005
712.6193	Component kit for electrode HL gas lens WE-Ø 3.2		2005
712.6194	Component kit for electrode HL gas lens WE-Ø 4.0		2005
712.6195	Component kit for electrode HL gas lens WE-Ø 4.8		2005
712.7020	Torch body ABITIG® 24 G		2002
712.7120	Torch body ABITIG® 24 W		2002

Spare Parts (numerical)

Part-No.	Description	Units	Product-group
717.0014	Powerfitting 3/8"-24G		2005
717.0015	Hose connector for 3/8"-24G	10 Pcs.	2005
717.0016	Hose connector for G 1/8"	10 Pcs.	2005
726.0002	Cable support 5/8"-18G		2005
749.1602	Nipple	10 Pcs.	9010
749.1604	BCS-81 connecting module	10 Pcs.	9010
770.0501	BCS-02 connecting module		2555
770.0502	BCS-01 connecting module		2555
770.0503	BCS-26 connecting module		2005
770.0516	BCS-02 connecting module		2005
770.0518	BCS-01 connecting module		2005
770.0521	BCS-20 connecting module		2555
770.0522	BCS-20 connecting module		2005
770.0523	BCS-20 connecting module		2005
770.0531	BCS-03 connecting module		2555
770.0541	BCS-04 connecting module		2555
770.0551	BCS-04 connecting module		2005
770.0557	BCS-04 connecting module		2005
770.0558	BCS-27 connecting module		2005
770.0560	Cable support machine side		2005
770.0561	BCS-05 connecting module		2555
770.0562	BCS-05 connecting module		2005
770.0571	BCS-06 connecting module		2555
770.0573	BCS-06 connecting module		2005
770.0576	BCS-34 connecting module		2005
770.0577	BCS-34 connecting module		2005
770.0581	BCS-03 connecting module		2005
770.0583	BCS-03 connecting module		2005
770.0584	BCS-36 connecting module		2005
770.0585	BCS-36 connecting module		2005
770.0586	BCS-36 connecting module		2555
770.0591	BCS-23 connecting module		2005
771.0051	Back cap, medium		2545
771.0502	Distance ring		9010
771.0509	BCS-07 connecting module		2005
771.0521	BCS-00 connecting module		2005
771.0525	BCS-22 connecting module		2005
771.0562	BCS-11 connecting module		2005
771.0563	BCS-09 connecting module		2005
771.0572	BCS-08 connecting module		2005
771.0573	BCS-14 connecting module		2005
771.0574	BCS-15 connecting module		2005
771.0575	BCS-24 connecting module		2005
772.0505	Connector		2005
772.0509	BCS-07 connecting module		2005
772.0512	BCS-02 connecting module		2005
772.0514	BCS-07 connecting module		2555
772.0515	BCS-26 connecting module		2555
772.0516	BCS-26 connecting module		2005
772.0519	Cable support machine side		2005
772.0521	BCS-08 / BCS-10 connecting module		2555
772.0531	BCS-12 connecting module		2555
772.0543	Cable support machine side		2555
772.0561	BCS-15 connecting module		2555
772.0571	BCS-16 connecting module		2555
772.0581	BCS-17 connecting module		2005

Spare Parts (numerical)

Part-No.	Description	Units	Product-group
772.0582	BCS-17 connecting module		2555
772.0586	BCS-12 connecting module		2005
772.0587	BCS-16 connecting module		2005
772.0591	BCS-19 connecting module		2555
772.0597	Adaptor nut		2005
773.0051	Back cap, long		2545
773.0053	Back cap, short		2545
773.0171	Gas diffuser for electrode WE-Ø 1.0 mm		2548
773.0172	Gas diffuser for electrode WE-Ø 1.6 mm		2548
773.0173	Gas diffuser for electrode WE-Ø 2.4 mm		2548
773.0174	Gas diffuser for electrode WE-Ø 3.2 mm		2548
773.0175	Gas diffuser for electrode WE-Ø 4.0 mm		2548
773.0176	Gas diffuser for electrode WE-Ø 4.8 mm		2548
773.0177	Gas diffuser for electrode WE-Ø 2.0 mm		2548
773.0501	BCS-18 connecting module		2005
773.0511	BCS-19 connecting module		2005
773.0519	Nipple		2005
773.0531	BCS-21 connecting module		2555
773.0534	BCS-21 connecting module		2005
773.0536	BCS-25 connecting module		2005
773.0537	BCS-33 connecting module		2005
773.0538	BCS-33 connecting module		2555
773.0551	BCS-25 connecting module		2005
773.0553	BCS-25 connecting module		2555
773.0556	BCS-33 connecting module		2005
773.0558	BCS-35 connecting module		2005
773.0559	BCS-35 connecting module		2555
774.0010	Torch body ABITIG® 200		2522
774.0130	Torch body ABITIG® 200 F (flexible)		2522
774.0182	Component kit standard for electrode WE-Ø 1.6		2550
774.0183	Component kit standard for electrode WE-Ø 2.4		2550
774.0184	Component kit standard for electrode WE-Ø 3.2		2550
774.0185	Component kit standard for electrode WE-Ø 4.0		2550
774.0186	Component kit standard for electrode WE-Ø 4.8		2550
774.0187	Component kit standard for electrode WE-Ø 2.0		2550
774.0192	Component kit gas diffuser for electrode WE-Ø 1.6		2550
774.0193	Component kit gas diffuser for electrode WE-Ø 2.4		2550
774.0194	Component kit gas diffuser for electrode WE-Ø 3.2		2550
774.0195	Component kit gas diffuser for electrode WE-Ø 4.0		2550
774.0196	Component kit gas diffuser for electrode WE-Ø 4.8		2550
774.0197	Component kit gas diffuser for electrode WE-Ø 2.0		2550
774.0230	Torch body ABITIG® 200 K (short)		2522
775.0010	Torch body ABITIG® 450W		2522
775.0062	Electrode holder for electrode WE Ø 1.6 mm	5 Pcs.	2548
775.0063	Electrode holder for electrode WE Ø 2.4 mm	5 Pcs.	2548
775.0064	Electrode holder for electrode WE Ø 3.2 mm	5 Pcs.	2548
775.0065	Electrode holder for electrode WE Ø 4.0 mm	5 Pcs.	2548
775.0066	Electrode holder for electrode WE Ø 4.8 mm	5 Pcs.	2548
775.0067	Electrode holder for electrode WE Ø 2.0 mm	5 Pcs.	2548
775.0081	Ceramic gas nozzle 37.4 mm; ND 7.5 mm	10 Pcs.	2541
775.0082	Ceramic gas nozzle 37.4 mm; ND 10.5 mm	10 Pcs.	2541
775.0083	Ceramic gas nozzle 37.4 mm; ND 13.0 mm	10 Pcs.	2541
775.0084	Ceramic gas nozzle 37.4 mm; ND 15.0 mm	10 Pcs.	2541
775.0108	Retaining ring		2555
775.0122	Gas diffuser 4 for electrode WE-Ø 1.6 mm		2548
775.0123	Gas diffuser 4 for electrode WE-Ø 2.4 mm		2548

Spare Parts (numerical)

Part-No.	Description	Units	Product-group
775.0124	Gas diffuser 4 for electrode WE-Ø 3.2 mm		2548
775.0125	Gas diffuser 4 for electrode WE-Ø 4.0 mm		2548
775.0126	Gas diffuser 4 for electrode WE-Ø 4.8 mm		2548
775.0152	Ceramic gas nozzle 26.5 mm; ND 10.0 mm	10 Pcs.	2541
775.0153	Ceramic gas nozzle 26.5 mm; ND 13.0 mm	10 Pcs.	2541
775.0183	Ceramic gas nozzle 37.4 mm; ND 13.0 mm (reenforced)	10 Pcs.	2541
775.0184	Ceramic gas nozzle 37.4 mm; ND 15.0 mm (reenforced)	10 Pcs.	2541
775.0230	Torch body ABITIG® 450W K (short)		2522
775.1043	Insulator		2555
775.1143	Insulator for gas diffuser 4		2555
775.1341	Cable support spring		2555
775.2171	Ceramic gas nozzle 51.5 mm; ND 7.5 mm	10 Pcs.	2541
775.2172	Ceramic gas nozzle 51.5 mm; ND 10.0 mm	10 Pcs.	2541
775.2173	Ceramic gas nozzle 51.5 mm; ND 13.0 mm	10 Pcs.	2541
775.2174	Ceramic gas nozzle 51.5 mm; ND 16.0 mm	10 Pcs.	2541
776.0010	Torch body ABITIG® 150		2522
776.0051	Back cap, long		2545
776.0053	Back cap, short		2545
776.0061	Electrode holder for electrode WE Ø 1.0 mm	5 Pcs.	2548
776.0062	Electrode holder for electrode WE Ø 1.6 mm	5 Pcs.	2548
776.0063	Electrode holder for electrode WE Ø 2.4 mm	5 Pcs.	2548
776.0064	Electrode holder for electrode WE Ø 3.2 mm	5 Pcs.	2548
776.0067	Electrode holder for electrode WE Ø 2.0 mm	5 Pcs.	2548
776.0130	Torch body ABITIG® 150F (flexible)		2522
776.0171	Gas diffuser for electrode WE-Ø 1.0 mm		2548
776.0172	Gas diffuser for electrode WE-Ø 1.6 mm		2548
776.0173	Gas diffuser for electrode WE-Ø 2.4 mm		2548
776.0174	Gas diffuser for electrode WE-Ø 3.2 mm		2548
776.0177	Gas diffuser for electrode WE-Ø 2.0 mm		2548
776.0441	Adaptor ring		2541
776.0443	Insulator for gas diffuser 4		2541
776.1043	Insulator	10 Pcs.	2541
777.0010	Torch body ABITIG® 260 W		2522
777.0081	Ceramic gas nozzle 26 mm; ND 6.5 mm	10 Pcs.	2541
777.0082	Ceramic gas nozzle 26 mm; ND 8.0 mm	10 Pcs.	2541
777.0083	Ceramic gas nozzle 26 mm; ND 10.0 mm	10 Pcs.	2541
777.0084	Ceramic gas nozzle 26 mm; ND 11.5 mm	10 Pcs.	2541
777.0181	Component kit standard for electrode WE-Ø 1.0		2550
777.0182	Component kit standard for electrode WE-Ø 1.6		2550
777.0183	Component kit standard for electrode WE-Ø 2.4		2550
777.0184	Component kit standard for electrode WE-Ø 3.2		2550
777.0187	Component kit standard for electrode WE-Ø 2.0		2550
777.0191	Component kit gas diffusor for electrode WE-Ø 1.0		2550
777.0192	Component kit gas diffusor for electrode WE-Ø 1.6		2550
777.0193	Component kit gas diffusor for electrode WE-Ø 2.4		2550
777.0194	Component kit gas diffusor for electrode WE-Ø 3.2		2550
777.0197	Component kit gas diffusor for electrode WE-Ø 2.0		2550
777.2171	Ceramic gas nozzle 36 mm; ND 6.5 mm	10 Pcs.	2541
777.2172	Ceramic gas nozzle 36 mm; ND 8.0 mm	10 Pcs.	2541
777.2173	Ceramic gas nozzle 36 mm; ND 10.0 mm	10 Pcs.	2541
777.2174	Ceramic gas nozzle 36 mm; ND 11.5 mm	10 Pcs.	2541
777.2175	Ceramic gas nozzle, 60 mm; ND 6.5 mm	10 Pcs.	2541
777.2176	Ceramic gas nozzle, 60 mm; ND 8.0 mm	10 Pcs.	2541
778.1030	Guide tube cpl. ABITIG® 200 MT / ABITIG® 300 W MT		2555
778.1109	Sieve		2555
778.1140	Collet		2555

Spare Parts (numerical)

Part-No.	Description	Units	Product-group
778.1142	Adaptor part WE-Ø 1.6 mm		2555
778.1143	Adaptor part WE-Ø 2.4 mm		2555
778.1144	Adaptor part WE-Ø 3.2 mm		2555
778.1145	Adaptor part WE-Ø 4.0 mm		2555
778.1146	Adaptor part WE-Ø 4.8 mm		2555
778.1148	Gas diffuser 4-MT for electrode WE-Ø 1.6 - 4.8 mm		2548
778.1157	Alignment jig		2555
778.1183	Ceramic gas nozzle 50 mm; ND 12.5 mm	10 Pcs.	2541
778.1184	Ceramic gas nozzle 50 mm; ND 16.0 mm	10 Pcs.	2541
778.1185	Ceramic adaptor		2541
778.1186	Gas nozzle metal 48 mm; ND 16.0 mm		2541
778.1187	Gas nozzle metal 48 mm; ND 19.0 mm		2541
778.1188	Ceramic gas nozzle 50 mm; ND 19.5 mm	10 Pcs.	2541
778.1189	Ceramic gas nozzle 34 mm; ND 24.0 mm	10 Pcs.	2541
778.2020	Torch body ABITIG® 200 MT		2532
779.2020	Torch body ABITIG® 300W MT		2532
791.0013	Torch body AUT-WIG 200 W		2002
791.0024	Handle tube		2005
791.0047	Torch body AUT-WIG 400 W with guide tube		2002
791.0054	Insulator	10 Pcs.	2003
791.0062	Guide tube cpl. AUT-TIG 400 W		2005
791.0063	Torch body AUT-WIG 400 W without guide tube		2002
791.0064	Coupling nut M8x0.75	10 Pcs.	2005
791.0069	Torch body AUT-WIG 20 G with guide tube		2002
791.0078	Guide tube cpl. AUT-TIG 20 G		2005
791.0079	Torch body AUT-WIG 20 G without guide tube		2002
791.0082	AUT-WIG 200 W; with single connection; 4.00 m long		2015
791.0083	AUT-WIG 200 W; with single connection; 8.00 m long		2015
791.0085	AUT-WIG 400 W; with single connection; 4.00 m long		2015
791.0086	AUT-WIG 400 W; with single connection; 8.00 m long		2015
791.0097	AUT-WIG 20 G; with BSB 35-50; 4.00 m long		2015
791.0098	Insulator	5 Pcs.	2003
791.0101	AUT-WIG 20 G; with BSB 35-50; 8.00 m long		2015
791.0199	Guide tube cpl. AUT-WIG 400 W for electrode-preattunement		2005
791.0202	Clamping element 1.6		2005
791.0203	Clamping element 2.4		2005
791.0204	Clamping element 3.2		2005
791.0231	Insulator, big		2003
850.0007	Tank cpl.		7002
850.0016	Enclosure WK 23		7002
850.0022	Enclosure WK 43		7002
850.0026	Radiator 2-row WK 23		7002
850.0027	Radiator 4-row WK 43		7002
850.0033	Water flow cut-off switch with G 3/8" connector		7002
850.0037	Fitting (90° angled)		7002
850.0041	Front panel WK 23		7002
850.0047	Front panel WK 43		7002
850.0053	Fan blade		7002
850.0057	Water fitting G 3/8"		7002
850.0059	Tank cap		7002
850.0060	Gasket ring		7002
850.0135	Recirculator WK 23 (115 V / 60Hz)		7001
850.0137	Recirculator WK 23 (230 V / 50 Hz)		7001
850.0144	Recirculator WK 23 (240/415 V / 50 Hz)		7001
850.0156	Recirculator WK 43 (115 V / 60 Hz)		7001
850.0159	Recirculator WK 43 (230 V / 50 Hz)		7001

The large number of versions requires that you specify the desired torch version with your order. Please supply details on your torch with this order form.

Basic torch

1	Type	Torch body/Version
<input type="checkbox"/>	ABITIG® 9	<input type="checkbox"/> standard <input type="checkbox"/> flexible
<input type="checkbox"/>	ABITIG® 20	<input type="checkbox"/> standard
<input type="checkbox"/>	ABITIG® 17	<input type="checkbox"/> standard <input type="checkbox"/> flexible
<input type="checkbox"/>	ABITIG® 18	<input type="checkbox"/> standard <input type="checkbox"/> short
<input type="checkbox"/>	ABITIG® 26	<input type="checkbox"/> standard <input type="checkbox"/> flexible <input type="checkbox"/> short
<input type="checkbox"/>	ABITIG® 24 G	<input type="checkbox"/> standard
<input type="checkbox"/>	ABITIG® 24 W	<input type="checkbox"/> standard
<input type="checkbox"/>	ABITIG® 12-1	<input type="checkbox"/> standard
<input type="checkbox"/>	ABITIG® 18 SC	<input type="checkbox"/> standard
<input type="checkbox"/>	ABITIG® 150	<input type="checkbox"/> standard <input type="checkbox"/> flexible
<input type="checkbox"/>	ABITIG® 260 W	<input type="checkbox"/> standard
<input type="checkbox"/>	ABITIG® 200	<input type="checkbox"/> standard <input type="checkbox"/> flexible <input type="checkbox"/> short
<input type="checkbox"/>	ABITIG® 450 W	<input type="checkbox"/> standard <input type="checkbox"/> short
<input type="checkbox"/>	ABITIG® 450 W SC	<input type="checkbox"/> standard <input type="checkbox"/> short

2	Cable assembly
<input type="checkbox"/>	High Flex/Leather (with ball and socket joint)
<input type="checkbox"/>	PVC/Leather (with ball and socket joint)
<input type="checkbox"/>	Standard (with ball and socket joint)

3	Cable assembly length
<input type="checkbox"/>	4.00 m
<input type="checkbox"/>	8.00 m
<input type="checkbox"/>	12.00 m

Control modules

4	Control modules
<input type="checkbox"/>	Single push-button
<input type="checkbox"/>	Double push-button
<input type="checkbox"/>	Double push-button for high switching current (up to 2 A)
<input type="checkbox"/>	Double push-button with Potentiometer*
<input type="checkbox"/>	UP / DOWN (device-dependent)

5	* Potentiometer
<input type="checkbox"/>	1.0 KΩ
<input type="checkbox"/>	2.2 KΩ
<input type="checkbox"/>	4.7 KΩ
<input type="checkbox"/>	10.0 KΩ
<input type="checkbox"/>	47.0 KΩ

TIG welding power source

6	Specification
<input type="checkbox"/>	Make <input type="text"/>
<input type="checkbox"/>	Machine type <input type="text"/>
<input type="checkbox"/>	Year of manufacture <input type="text"/>

Miscellaneous

7	
<input type="text"/>	
<input type="text"/>	
<input type="text"/>	
<input type="text"/>	
<input type="text"/>	
<input type="text"/>	
<input type="text"/>	
<input type="text"/>	

Address

Company:	
<input type="text"/>	
Street/No.:	
<input type="text"/>	
Postal code/City:	
<input type="text"/>	
Phone:	
<input type="text"/>	
Fax:	
<input type="text"/>	
Contact person:	
<input type="text"/>	
Date:	Signature:
<input type="text"/>	<input type="text"/>
Stamp:	
<input type="text"/>	

We recommend copying this page and sending it to us by fax. This is quicker and allows you to use the order form a number of times.

Standard Terms and Conditions of Deliveries and Services (Terms and Conditions of Sale) of Alexander Binzel Schweisstechnik GmbH & Co. KG

§ 1 Validity of the Terms and Conditions of Business

- 1.1 All our deliveries, services and tenders take place exclusively on the basis of these Standard Terms and Conditions of Deliveries and Services Payment (hereinafter called "these business conditions"). These business conditions are an element of all agreements that we conclude with our contractual partners (hereinafter called "customers").
- 1.2 The customer's Standard Terms and Conditions of Business do not apply, even if we do not contradict their validity in individual cases. Neither does reference to a letter that contains the customer's or a third party's Standard Terms and Conditions of Business, or refers to such, constitute an agreement with the validity of the aforesaid Standard Terms and Conditions of Business. They also do not become a contractual element through conclusive actions, such as the production of a performance by us.
- 1.3 The business conditions apply to all agreements on deliveries and services on our part, as well as all peripheral services. These business conditions are valid for all future deliveries and services on our part even without a separate agreement of inclusion.

§ 2 Tender and conclusion of the agreement

- 2.1 Insofar as our tenders are marked expressly as being subject to change, we can also revoke these immediately after receipt of acceptance by the customer.
- 2.2 The customer does not acquire any copyright in any tenders or cost estimates submitted by us, nor to any drawings, illustrations, calculations, descriptions, models, tools and other documents and material resources made available to him. This also applies to those materials and documents mentioned that are expressly labelled "confidential" or whose confidential character arises from the circumstances. The passing on of the abovementioned materials and documents to third parties requires at any rate our permission. The customer must ensure this by appropriate agreements with his employees or any other persons who work with knowledge and consent in his area of responsibilities. The abovementioned materials and documents must be returned immediately at the customer's expense, if an agreement does not come into being or they are no longer required for further contractual implementation.

§ 3 Prices

- 3.1 Unless otherwise stated in the order confirmation, our prices are valid "ex Works", excluding packaging; this will be charged separately.
- 3.2 Legal value-added tax is not included in our prices. It is shown separately in the invoice in the amount legally prescribed on the day of invoicing. In the case of foreign transactions, the value-added tax no longer applies; however, the recipient must pay the taxes and fees incurred for the transfer into the recipient's country, especially customs duties and the additional legal taxes or charges incurred in the recipient's country itself.
- 3.3 The deduction of a discount for cash requires a separate agreement. The customer's Standard Terms and Conditions of Business, which call for the deduction of a cash discount, do not apply.

§ 4 Implementation of the deliveries and services, delivery and service times

- 4.1 Unless otherwise agreed, the delivery takes place "ex Works".
- 4.2 The start of the delivery or service time stated by us presupposes the clarification of all technical issues.
- 4.3 Furthermore, the observance of our delivery and service obligations presupposes the customer's punctual and proper performance. We are fully entitled to the plea of non-performance.
- 4.4 If the person ordering is in default of taking delivery or infringes any other duties to cooperate, we are entitled to request replacement of any loss incurred by us in this respect, including any additional expenditure. More extensive claims remain unaffected.
- 4.5 Insofar as the conditions of § 4 (4) are met, the risk of accidental loss or unintentional deterioration of the object to be delivered passes to the customer at that point in time, when he has fallen into default of taking delivery.
- 4.6 If it has been agreed with the customer that our delivery or service does not have to take place at a fixed time, but within a certain period, we are entitled to deliver or produce our performance before the expiration of the period also. If a fixed date has been agreed with the customer, we are entitled to premature delivery or production of the performance, after having given the customer reasonable notice of this before delivery or production of the performance. This does not apply, if the delivery can only take place on the agreed date for reasons discernible for us.
- 4.7 Unless otherwise agreed, the customer, in the case of agreements that entitle him to request partial deliveries from a total quantity of goods, is obligated to give us punctual requests and assortment plans for approximate identical monthly quantities. If the customer does not request delivery punctually or does not plan in good time, we are entitled to take over the planning ourselves and to deliver the goods after a reasonable extended deadline has passed fruitlessly. If the customer fails to request delivery at all or in good time or fails to plan at all or in good time we are entitled to withdraw from the entire agreement after prior warning. Any compensation claims to which we are legally entitled remain at any rate unaffected.
- 4.8 With regard to order for goods to be delivered on demand according to § 4 (7) of these business conditions, we are entitled, unless otherwise agreed, to procure the material for the entire order and to manufacture the entire quantity ordered immediately. Requests from the customer for changes can no longer be taken into consideration after the order has been placed.
- 4.9 Increased or short deliveries are permissible in accordance with ordinary trade usage.

§ 5 Delays in delivery

- 5.1 Stoppages caused by force majeure, strikes for which we are not responsible or lock-outs or a lack of operating and/or raw materials entitle us, to withdraw from the not yet fulfilled agreement, if the abovementioned circumstances make delivery or performance impossible not only temporarily and in addition were not discernible on conclusion of the agreement.
- 5.2 If we are in delay with a delivery or service or if a delivery or service becomes impossible for us, the customer's claim for compensation is restricted subject to § 9 of these business conditions.

§ 6 Place of performance, shipment, packaging, passing of the risk

- 6.1 The place of performance for all obligations from the contractual relationship with the customer is Buseck/Allen-Buseck.
- 6.2 Unless otherwise agreed, we will select the most economical packaging known to us and the most economical type of shipment known to us.
- 6.3 Unless otherwise agreed, the risk passes to the customer at the latest with the handover of the delivered objects by the shipping contractor, carrier or other company appointed with the implementation of the consignment. § 4 (4) remains unaffected.
- 6.4 The shipment will only be insured by us against theft, breakage, damage during transport, fire and water damage or any other insurable risks at the express written request of the customer and at his expense.
- 6.5 We will only take back packaging in our storehouses (return depots). The customer pays the costs of transporting the packaging to the respective return depot. If packaging different from the standard packaging (special packaging) is used at the customer's request, the customer is obliged to recycle or dispose of this at his own expense.

§ 7 Customer's claims in case of defects or incomplete deliveries and services

- 7.1 The objects delivered by us must be carefully examined immediately after delivery to the customer or to the third party appointed by him. They are considered approved, if a complaint, that could have been discovered on careful examination, is not reported in writing within three days after

receipt of the goods, the date of sending the complaint to us being decisive. If the defect was not noticeable by careful examination, the obligation to report the complaint immediately in writing is valid from the time of discovery.

- 7.2 If a delivery or service defect exists, for which we are responsible, we are obliged, at our option, to remedy the defect or deliver a replacement. In the case of remedying the defect, we are obliged to pay all costs required to remedy the defect, in particular transport, labour and material costs, unless these are increased by the fact that the purchased object was taken to a different location than the original place of consignment. This does not apply, if transporting the delivered object to another location corresponds to its agreed use. If we select subsequent performance in the form of replacement, the delivered objects with failures must be sent back to us carriage paid, whereby the customer is obliged to select the most economical type of shipment.
- 7.3 The limitation period for claims based on quality defects. The warranty period amounts to one year and begins with the time of delivery to the customer or to a third party appointed by the customer.
- 7.4 The delivery of used objects takes place excluding any warranty whatsoever.

§ 8 Purchase of consumer goods

§ 7 (3) does not apply, if the newly manufactured objects delivered by us are sold to consumers, also within the context of a chain of suppliers.

§ 9 Compensatory damages

- 9.1 We are only liable - regardless of for which legal reason - for the wilful and gross negligent conduct of our agencies and vicarious agents as well as - without regard to the degree of culpability - for damages from injury to life, body or health.
- 9.2 We are also responsible for slight negligence by our agencies and vicarious agents in the event of delay in performance or infringement of any other cardinal duty. In such a case our liability is restricted to damage that has to be reasonably expected when concluding such an agreement.
- 9.3 All limitations of liability also apply in the event that the infringement of contractual duties simultaneously represents an actionable tort.

§ 10 Reservation of ownership

- 10.1 We retain the right to ownership of the delivered object until all payments from the delivery agreement have been received. In the event of breach of contract by the customer, especially in the case of default of payment, we are entitled to take the delivered object back after a reasonable extended deadline has passed fruitlessly. Taking back the delivered object does not signify a withdrawal from the agreement, unless expressly declared by us in writing. The seizure of the delivered goods by us invariably represents a withdrawal from the agreement. After repossessing taking back the delivered goods, we are authorised to sell them; the proceeds from the sale will be deducted from the customer's liabilities - minus reasonable realisation costs.
- 10.2 The customer is obliged to keep the delivered objects in safe custody for us and to treat them with care.
- 10.3 In the event of seizures or any other third-party encroachments on our delivered objects, the customer must notify us immediately in writing so that we can take legal action according to § 771 Civil Procedure Rules (ZPO). If the third party is not in a position to refund us the legal and out-of-court costs of a lawsuit according to § 771 ZPO, the customer person ordering is liable for the loss incurred by us.
- 10.4 The customer is entitled to re-sell the delivered object in the normal course of business; however, he now already assigns us all demands amounting to the final invoice amount (including value-added tax) of our demand arising against his customers or third parties from the resale, regardless of whether the delivered object is re-sold with or without processing. The customer is also authorised to collect this demand after the assignment. Our authorisation to collect the demand ourselves remains unaffected by this. However, we agree not to collect the demand as long as the customer fulfils his payment obligations from the collected revenue, does not fall behind in his payments, and in particular no application for commencement of insolvency proceedings has been filed or there is a suspension of payments. However, if this is the case, we can request that the customer informs us of the assigned demands and their debtor immediately, gives us all details necessary for their collection, hands over the relevant documentation and notifies the debtor (third party) of the assignment immediately and informs us thereof by means of a copy/accompanying letter.
- 10.5 The processing or transformation of the delivered objects by the customer will always be carried out on our behalf by us. If the delivered object is processed with other objects that do not belong to us, we acquire co-ownership of the new object in the ratio of the value of the delivered object (final invoice amount including value-added tax) to the other processed objects at the time of processing. The same provisions apply otherwise for the object created by the aforesaid processing as for the object delivered with reservations.
- 10.6 If the delivered object is inseparably mixed with other objects that do not belong to us, we acquire co-ownership of the new object in the ratio of the value of the delivered object (final invoice amount including value-added tax) to the other mixed objects at the time of mixing. If the mixing takes place in a way in which the customer's object is to be regarded as the main object, it is considered agreed that the customer will transfer proportionate co-ownership to us. The customer will safeguard the created sole ownership or co-ownership for us.
- 10.7 At the customer's request, we undertake to release the securities to which we are entitled insofar as the feasible value of our securities exceeds the demands to be safeguarded by more than 10 %; we are entitled to select the securities to be released.

§ 11 Terms of payment

- 11.1 Unless otherwise agreed, our invoice amounts are payable within 30 days without any deduction. On expiration of this deadline, the customer is in default of payment without a warning on our part being required.
- 11.2 The customer may not exercise any right of set-off unless his/its counterclaim shall be undisputed or conclusively ruled upon. The same applies to the assertion of a right of retention.

§ 12 Written form and final provisions

- 12.1 Any regulations deviating from these business conditions require the written form. This does not apply to regulations, which have been agreed from our side with Managing Directors or authorised signatories.
- 12.2 The legal venue for any disputes from the business relationship between us and the customer is Gießen. However, we are also entitled to take legal action against the customer at his standard legal venue as well as at the location to which the delivered object was sent at the customer's request.
- 12.3 All legal relationships in connection with entering in, performing under or termination of this agreement shall be governed and construed in all respects in accordance with the laws of the Federal Republic of Germany with the exclusion of the Convention on Contracts for the International Sale of Goods (CISG). This also applies, if the legal relationships arise from tort or based on any other legal bases.



Welding & cutting brought to the point.

Our product range:

■ MIG/MAG

- Welding Torches
- Automatic and Special Torches
- Push-Pull Welding Torches
- Fume Extraction Torches
- Central Adaptor System

■ TIG

- Welding Torches
- Automatic and Special Torches

■ PLASMA

- Cutting Torches
- Welding Torches
- Automatic and Special Torches

■ Robotic Peripheral Equipment

- Robot Torches
MIG/TIG/Plasma
- Robot Mount CAT2
- Torch Change System ATS-Rotor
- Tool Change System WWS
- Wire Cutting Station DAV
- Torch Cleaning Station
BRS-LC and BRS-FP
- Wire Feeding Station APD-MF

■ Welding Accessories

- Cooling Device
- Welding Cable Plug and Socket
- Anti Spatter Spray and Paste
and so on ...



Alexander Binzel Schweisstechnik GmbH & Co. KG
P.O. Box 10 01 53 · D-35331 Gießen
Phone: ++49 (0) 64 08 / 59-0
Fax: ++49 (0) 64 08 / 59-191
Internet: www.binzel-abicor.com